

IRON CASTINGS FOR MUNICIPAL ROADS, MARITIME AND DECORATIVE PURPOSES

2009



BIBBY-STE-CROIX



**LAPERLE
FOUNDRY**





ENVIRONMENTAL ASPECT OF BIBBY STE-CROIX AND LAPERLE FOUNDRY

Employees of Bibby Ste-Croix and Laperle Foundry are concerned of environmental aspects of their company. Therefore, it holds a management environmental system which ensured a meticulous follow-up.

In order to maintain high quality of grey iron products and ductile products, Bibby Ste-Croix and Laperle Foundry recycles annually over 70,000 tons of scrap of grey iron and steel of the first quality with the result that the final products content nearly 98% of recycled material for the grey iron and nearly 60% for the ductile iron.

The aspects of energy efficiency and saving in its water consumption are continuously in the middle of the company's concerns. Moreover, the follow-up and regulation in terms of air quality, the management of dangerous residual matters and finally the follow-up and improvement of the processes of certification are omnipresent.

SAINTE-CROIX
6200 PRINCIPALE
SAINTE-CROIX (QC) G0S 2H0

TEL.: 418 926-3262
FAX: 418 926-2430

SAINT-OURS
106, MONTÉE DE LA BASSE
SAINT-OURS (QC) J0G 1P0

TEL.: 450 785-2205
FAX: 450 785-5588
TOLL FREE: 1 800 567-3753

HAMILTON
1757 BURLINGTON STREET
EAST
HAMILTON (ONTARIO)
CANADA L8H 3L5

TEL.: 905 312-4776
FAX: 905 312-1434
TOLL FREE: 1 800 982-5682

www.bibby-ste-croix.com

UPDATES

Name:

Surname:

Post:

Company name:

Address:

City:

Province:

Postal code:

Telephone:

Fax:

Email:

Date catalog received:



106, MONTÉE DE LA BASSE
SAINT-OURS, QUEBEC
CANADA J0G 1P0

Phone: 450 785-2205
Fax: 450 785-5588
Toll free: 1 800 567-3753

www.bibby-ste-croix.com



BIBBY-STE-CROIX

1757 BURLINGTON STREET, EAST
HAMILTON, ONTARIO
CANADA L8H 3L5

Phone: 905 312-4776
Fax: 905 312-1434
Toll free: 1 800 982-5682

TABLE OF CONTENTS

1

Background	2
Data sheet	3
Summary – Frames and circular covers	4
Summary – Frames and circular grates	8
Summary – Frames with square base and circular covers	9
Summary – Rectangular frames and covers	10
Summary – Rectangular frames and grates	11
Summary – Covers and grates alone	14
Summary – Trench grates	15
Summary – Tree grates	16
Summary – Cesspool traps	17
Summary – Cleats and bollards	17
Types of circular grates	18
Types of locks	19
Watertight – Airproof	20
Freestanding (frames and covers)	88, 89, 90, 91, 92, 93
Freestanding (frames and grates)	87, 199
Sidewalk wells (frames and grates)	117, 119, 120, 158, 159, 160, 165, 176, 187, 188, 206, 210
Trench wells (frames and/or grates)	121, 126, 142
Recessed well frames	127, 191

www.bibby-ste-croix.com



Fonderie Laperle was begun in Saint-Ours, Quebec in the mid 1800s. Their reputation for quality farm equipment castings spread throughout Quebec and Eastern Canada. It was not long before their production included many different shapes and sizes of industrial castings. The transition to specializing in municipal street castings was a natural one. Today Fonderie Laperle is the largest producer of street castings in Canada.

Now equipped with the latest production, quality control and environmental protection technologies, Fonderie Laperle produces cast iron compliant with renowned ASTM standards and is still the largest producer of road system castings in Quebec.

Fonderie Laperle's current production is shipped to Quebec, Ontario, Atlantic Provinces and American markets.

In 1985, Fonderie Laperle became a division of Bibby-Ste-Croix inc., which in turn became a division of Canada Pipe, of Hamilton, Ontario in 1997. McWane Inc., from Birmingham, Alabama, owns Canada Pipe. Fonderie Laperle is thus, now more than ever before, in a good position to meet your iron castings needs.

Please do not hesitate to contact us for all your iron casting needs; serving you well is the cornerstone of our success.

All grey iron castings are made in accordance to ASTM A-48 Class 30B requirements. Ductile iron castings are produced in accordance with Class 65-45-12 of ASM A-536.

GENERAL

All components can be assembled easily and adequately. Circular frames, covers and grates (except for non-machinable integrated frames and their grates) to be installed on road systems will be machined over their entire base to prevent any rocking under normal traffic conditions.

FINISH

Casting will be of quality grade and free of shrinkage, distortion, cracks and any other major problem. They will be finished evenly, cleanly and free of any significant imperfection. Unless otherwise specified, each casting will be coated with a bituminous asphalt paint.

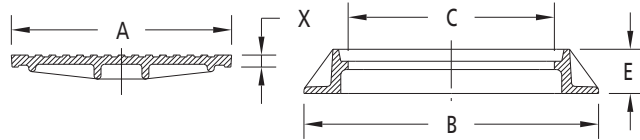
GREY IRON			
Standard	Tensile strength	Class	
ASTM A-48	30000 LBS/INCH ²	30	

DUCTILE IRON			
Standard	Tensile strength	Yield strength	Elongation
ASTM A-536	65000 LBS/INCH ²	45000 LBS/INCH ²	12%

DIMENSIONAL TOLERANCES		
Standard	Dimensions	Tolerance
0PSD	300 MM OR LESS	± 3 MM
0PSD	301 MM TO 900 MM	± 6 MM

SUMMARY – FRAMES AND CIRCULAR COVERS

IMPORTANT: The model numbers refer to the frames. Each piece is sold separately.



Note that all dimensions are in inches.

CODE	DIMENSIONS (in.)					PAGE
	A	B	C	E	X	
C-80	10	15 1/4	8 1/2	2 3/4	1	113
C-75B	10 3/4	15	9	10 1/2	1 7/16	108
C-45V	11 7/8	17 1/2	9 3/4	3	1 1/2	81
C-75	12 1/4	19	10 3/4	9	1 7/8	108
C-80A	12	17 1/4	10 1/2	2 3/4	1	113
P-40BH	16	20 1/2	14 1/2	4	1 7/16	181
P-40B	16	20 1/2	14 1/2	4	1 7/16	181
C-80B	16	21 1/2	14 1/2	2 3/4	1	113
P-40BHQ	16	21 7/8	14 3/4	4	1 1/2	182
P-41A	18	21 3/4	16	2	1 7/16	183
C-80C	18	23 1/2	16 1/2	2 3/4	1	113
C-24B	20	29	18	4	2 3/16	60
C-30	20 3/4	28 1/4	18	6	1 3/16	66
C-90	21 3/4	35 3/4	20	8 1/2	1 1/16	116
C-80E	21	26 1/2	20 1/2	2 3/4	1	113
C-80D	22 1/4	30	20 1/2	4	1 1/2	113
C-50M1- CONIQUE	22 1/2	33 7/8	20 5/8	9 7/8	15/16	89
C-50M1- DROIT	22 1/2	35 5/8	20 1/2	9 7/8	15/16	90
C-48	22 7/8	36	21	9	1 11/16	85
C-98	23	32 1/4	20 1/4	7	1 3/16	122
C-62	23 1/2	33 1/4	22	7 1/2	1	99
C-38	23 1/2	35	20 1/2	10	2 7/16	75

SUMMARY – FRAMES AND CIRCULAR COVERS (CONT.)

CODE	DIMENSIONS (in.)					PAGE
	A	B	C	E	X	
C-71	23 1/2	38 3/4	21 3/8	9 3/4	1 15/16	106
C-73	23 3/4	32 1/4	21 3/8	7	2 15/16	106
C-29	23 3/4	33 1/2	22	6-8	1 3/16	63
C-29R	24	32	22 1/8	4-6-8	1 3/16	65
R-12	23 3/4	32	22 1/4	6	15/16	211
R-10	23 3/4	32	22 1/4	6	15/16	211
C-35A	23 3/4	48	21 5/8	8 1/8	1 3/16	74
C-29BC	24	32	22 1/8	4 1/2-6-8	1 3/16	64
C-74	23 7/8	39	22	8	1 1/8	107
P-40	24	28 1/2	22 1/4	3 1/2	1 1/4	180
P-40A	24	32 1/8	22 3/8	4 7/8	1 3/4	180
C-49	24	32	22 1/4	3-4-7-9	1 5/16	86
C-88	24	36	22 1/4	4-7	1 1/2	115
C-35	24	48	21 5/8	8 1/8	1 1/4	73
R-60	24 1/4	33	21 1/2	4 1/2	1 1/4	212
C-3A	24 1/4	34 3/4	22	5 1/2	1 9/16	30
C-25	24 1/2	30	21 7/8	3 1/2	1 11/16	61
C-12T	24 1/2	33 5/8	22 1/2	5 3/4	1 11/16	39
C-8	24 1/2	37	21 7/8	8	1 3/4	37
C-67A	24 7/16	28 1/8	21 3/4	6 1/2	1 15/16	104
C-67	24 7/16	30	21 3/4	7 1/8	1 15/16	104
JW150/JW300A	24 1/2	31 1/2	22 5/8	5 3/4	1 15/16	141
JW150RD	24 1/2	33 1/4	22 5/8	4-5 3/4	1 15/16	139
C-3	24 5/8	33 7/8	23	5 3/4	1 1/8	30
C-11	24 5/8	33 3/4	23	5 5/8	1 1/8	38
C-50M-ONT	24 1/2	35	22	10 5/8	1 15/16	88
C-26	24 7/8	33	22	6	1 3/4	62
C-64A	25 3/8	39	24	8	1 15/16	100
C-32	25 5/8	34 3/4	24 1/8	8	1 1/8	67
C-76A-B-C	25 3/4	32	24	4 1/2-6-8	1 5/16	109
C-66	25 3/4	34 1/2	23 7/8	4-6-8	1 5/16	102
C-66BW	25 3/4	34	21	6-8	1 5/16	103

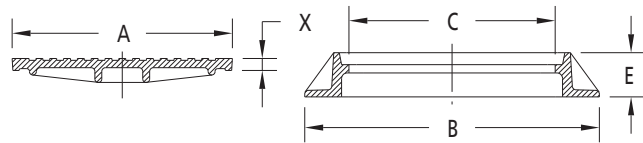
SUMMARY – FRAMES AND CIRCULAR COVERS (CONT.)

CODE	DIMENSIONS (in.)					PAGE
	A	B	C	E	X	
C-66B	25 3/4	36	24	8	1 5/16	103
C-64B	25 3/4	39	24	8	1 5/16	100
C-64C	25 3/4	43	24	10	1 5/16	100
C-34A	25 7/8	34 1/2	24	8	1 13/16	72
C-60	25 7/8	34 1/2	24	9 1/2	2 7/16	94
C-24A	25 7/8	34	24	4	2 7/16	60
C-60L	25 7/8	34	24	9	2 7/16	96
C-34	25 7/8	43	24	10	1 13/16	72
C-33	26	34	23 5/8	8 1/2	1 1/8	68
C-33A	26	34	24	8	1 1/8	69
C-33B	26	34	24	6	1 1/8	69
C-33R	26	33 3/4	24 1/4	6	1 1/8	71
C-89	26	38 1/2	24	7	1 7/16	116
C-69	26 1/4	38 1/2	24 1/2	8	1 3/16	105
C-68	27 1/2	35 7/8	25 1/4	7	2 3/8	105
C-65	27 3/4	33 1/2	23 7/8	8	1 7/16	101
C-5	28 9/16	38 1/8	26 5/8	6 1/4	1 5/8	35
C-44/C-44A	28 15/16	46	27	10-5 5/8	1 3/8	78
C-21	29	31	23 3/4	8	1 5/8	55
C-101S	29	31	27	6	1 11/16	124
C-101MF	29	34	27	6	1 11/16	123
C-101	29	35-38	27	6	1 11/16	123
C-42	29 1/4	32	27 3/4	1 1/2	3/4	77
C-13A	29 1/2	37 3/8	26 3/4	5 1/8	2	40
C-52	29 1/2	36	28	4	1 7/16	94
C-20A	29 1/2	37 1/2	26 1/2	3 1/8	1 5/8	52
C-20B	29 1/2	39 3/4	27	6	1 5/8	53
C-20	29 1/2	40	27 3/8	6	1 5/8	51
C-20C	29 1/2	41 3/4	28	8	1 5/8	54
C-31	29 3/4	46	28	8 1/8	1 1/4	66
C-77W	30	39	24	6 1/2	1 7/16	111
C-77A-C	30	39-36	28	6 1/2-4	1 7/16	110

SUMMARY – FRAMES AND CIRCULAR COVERS (CONT.)

CODE	DIMENSIONS (in.)					PAGE
	A	B	C	E	X	
C-77B	30	41 3/4	27 7/8	8	1 7/16	110
C-4S/C-4V	30 1/2	42	26	8 1/16	1 11/16	34
C-24	30 1/2	36	28	3 1/2	1 9/16	59
C-50MS	30 1/2	41 1/8	28 1/4	10 5/8	1 5/8	91
C-22S	30 1/2	41 5/8	25	8	1 5/8	56
C-6S	30 1/2	42	25 7/8	6-8	1 5/8	36
C-42	31 1/2	32	27 3/4	1 1/2	3/4	77
C-17	31 3/4	37 1/2	30	3	1 3/4	49
C-45A	31 3/4	37 5/8	30	3 1/4	1 3/8	81
C-79C	31 3/4	39	30	8	1 5/16	112
C-18	31 3/4	41 7/8	29 3/4	7	1 3/4	49
C-78W	31 3/4	42	24	8	1 5/16	112
C-78	31 3/4	42	30	8	1 5/16	111
C-47WS	32	43	27	7-8	1 7/16	84
C-43C	31 3/4	49	30	10	1 3/4	79
C-36/JW-500	31 3/4	39 3/4	29	4-6	1 3/4	75
C-60A	31 7/8	40	30	9 1/2	2 7/16	95
C-60AL	31 7/8	40	30	9	2 7/16	96
C-43B	31 15/16	49	30	10	1 3/8	78
C-43/C-43A	31 15/16	49	30	10-5 5/8	1 3/8	78
C-24C	32	37 1/2	30	4	1 7/16	61
C-47B-C	31 3/4	38	30	4-6 1/2	1 1/2	83
C-47/C-47A	31 3/4	42 3/4	30	6 1/2-8	1 1/2	83
C-4BS	32 1/2	42	28	8	1 3/4	32
C-4A	33 1/2	42	31	8	1 15/16	31
C-80I	34	38 1/2	32 1/2	4	1 1/2	113
C-41	32 1/4	35	30 3/4	1 1/2	3/4	77
C-23B	35 3/4	44	33 1/2	6	1 3/8	58
C-60B	36 1/2	46 3/4	34 1/4	6	2 1/2	97
C-28	38	50	35 1/2	10	1 11/16	62
C-23AS	38 1/2	49 7/8	33	8	1 15/16	57
C-23WB	38 1/2	50	30 3/4	8	1 15/16	58
C-23	38 5/8	52	35 3/4	6	1 5/8	57

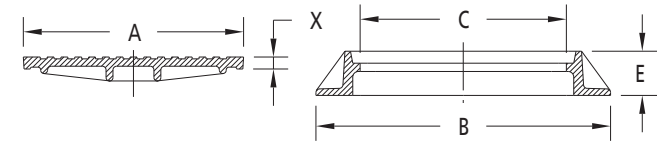
SUMMARY – FRAMES AND CIRCULAR GRATES



Note that all dimensions are in inches.

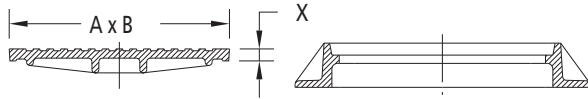
CODE	DIMENSIONS (in.)					PAGE
	A	B	C	E	X	
CP-12	–	31 1/4	27	2 1/2	–	127
P-29R	16 1/2	20 3/4	14 3/8	2 7/8	1 5/16	170
P-14	18 5/8	23 3/4	17 1/2	3	15/16	151
P-13	19 3/4	28	17 1/2	5 1/2	1 7/16	150
P-13M	19 3/4	28	17 1/2	15	1 7/16	151
P-14A	22	24 1/8	18 7/8	3 1/16	1 3/16	152
C-81	24 5/8	33	22 5/8	6 1/16	2	115
C-50P	29 1/2	31 1/4	22 1/4	10 5/8	1 5/8	87

SUMMARY – FRAMES WITH SQUARE BASE AND CIRCULAR COVERS



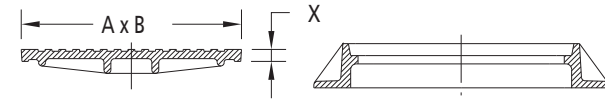
Note that all dimensions are in inches.

CODE	DIMENSIONS (in.)					PAGE
	A	B	C	E	X	
C-46	22 1/2	33 1/4	21	4-5 1/4	11/16	82
JW-150	24 1/2	31 1/2	22 5/8	4-5 3/4	1 15/16	141
JW-153	24 1/2	31 1/2	22 5/8	5 3/4	1 15/16	140
JW-153A	24 1/2	31 1/2	22 5/8	5 3/4	1 15/16	140
JW-300A	24 1/2	31 1/2	22 5/8	5 3/4	1 15/16	141
C-45	31 3/4	43	29 3/4	9 1/2	1 3/8	80
C-39A-B	34 5/8	44 1/4	32	10-5	1 3/8	76
C-40	37	50	34	9	1 7/16	76



Note that all dimensions are in inches.

CODE	DIMENSIONS (in.)			PAGE
	A	B	X	
P-47P	12	12	15/16	196
C-19A	15	23	1 1/4	50
P-50	15 1/2	17 1/2	1 7/8	198
C-19	17	26	1 1/4	50
C-61	18	26	1 3/8	98
P-54	22	22	11/16	201
C-61A	22 1/2	22 1/2	1 7/16	98
C-16C	31 3/4	48	2	47
C-16BG	31 7/16	48 1/8	1	46
C-16B	31 7/8	48 1/8	1 1/2	45
C-15	47 1/4	47 1/4	1 3/4	41
C-16D	48	41 1/4	2	48
C-15AB	52	52	2	43
C-15A	52	52	2	42
C-15B	52	52	2	44
C-15C	52	64	2	44
C-15D	64	64	2	44



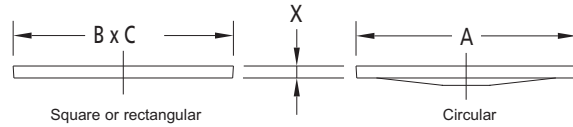
Note that all dimensions are in inches.

CODE	DIMENSIONS (in.)			PAGE
	A	B	X	
P-18A	12	19	2	154
P-18B	12	19	2	154
P-18C	12	19	2	155
P-45	13 1/2	23 1/2	2	189
P-35MDC	13 3/4	28 3/4	1 15/16	176
P-51A	13 7/8	22 7/8	1 15/16	199
P-45A	14	24	2 1/4	189
P-32	14 1/4	20 1/2	1 3/16	172
P-5 / JW-203	15 1/8	21 7/8	1 7/8	148
P-43	17 1/2	21 3/4	1 7/8	187
C-94	17 1/2	35 3/8	1 15/16	120
C-103	17 7/8	22 7/8	1 11/16	125
P-17A	18	18	1 3/4	153
C-93	18	22 9/16	1 13/16	119
P-67	18	30	1 15/16	206
P-46	18	36	2 1/4	190
P-46P	18	36	2 1/4	191
C-91	18 5/8	22 1/4	1 15/16	117
P-49	18 3/4	23 1/2	5	197
P-36	19 1/8	19 1/8	1 3/4	177
P-47E	19 3/4	19 3/4	1 7/16	196
P-63	19 3/4	35 3/4	1 15/16	202
P-68	20 1/16	29 5/16	1 15/16	207
P-17	20 1/2	20 1/2	1 9/16	152

CODE	DIMENSIONS (in.)			PAGE
	A	B	X	
P-69	20 13/16	58 1/2	1 1/2	208
P-21	20 7/8	23	2 1/2	157
P-35	21 1/2	27	1 3/4	175
P-23C	21 1/2	35 3/4	1 1/4	164
P-24A	21 5/8	35 5/8	1 1/4	165
P-52	21 3/4	36	1 7/16	200
P-22A	21 3/4	47 3/4	1 1/4	159
P-23A	21 3/4	47 3/4	1 1/8	162
P-23	21 3/4 (2X)	47 3/4	1 1/4	161
P-22-P-BP	21 3/4	47 3/4	1 1/8	158
P-22B	21 7/8	47 3/8	1 1/4	160
P-22F	21 7/8	47 3/8	1 1/4	160
C-92	22 1/4	22 1/4	2 7/16	118
P-48M	23 3/4	23 3/4	1 15/16	184
P-48	23 3/4	23 3/4	1 15/16	184
JW-100A,100, 109,105B	23 3/4	23 3/4	2 1/2	142
JW-102A	23 3/4	23 3/4	2 7/8	144
JW-107, 107A, 112A	23 5/8	23 3/4	2 1/2	143
P-42A	23 7/8	23 7/8	1 15/16	184
P-42	23 1/2	23 1/2	1 15/16	184
P-61	23 7/8	23 7/8	1 7/16	201
P-47C	24	24	1 9/16	195
P-47D	24	30	1 3/16	195
P-27	24	24	1 15/16	167
P-43A	24 1/8	24 1/8	2 1/2	188

CODE	DIMENSIONS (in.)			PAGE
	A	B	X	
P-26	24 1/8	24 1/8	2 7/16	166
P-26M-F	24 1/8	24 1/8	2 7/16	166
P-47AL	25 1/4	25 1/4	1 9/16	192
P-47A	25 1/4	25 1/4	1 9/16	192
P-47	26	26	1 7/16	193
P-53	27 7/8	27 7/8	1 7/8	200
P-65	29 3/4	32 7/8	3 1/16	205
P-23B	29 3/4	49	1 1/4	163
P-47B	31 1/4	31 1/4	1 7/16	194
P-64	23 (2x)	20 1/4	2 11/16	204

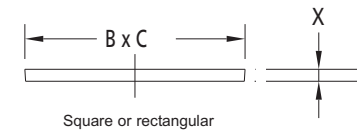
SUMMARY – COVERS AND GRATES ALONE



Note that all dimensions are in inches.

CODE	DIMENSIONS (in.)				PAGE
	A	B	C	X	
P-6A	–	17	17	7/8	149
P-33-4	–	18	18	1/2	174
P-10	–	18	22	1 3/4	150
P-63A	–	18	36	2 1/4	203
P-33-1	14	–	–	1 3/4	173
P-33-2	16 7/8	–	–	2 1/4	173
S-29V22	18	–	–	1 1/2	213
SC-18	18	–	–	1 1/2	213
P-2	18 3/4	–	–	3/4-1 1/4	145
P-33-5	19 1/2	–	–	1	175
P-33-3	20 1/4	–	–	1 1/4	174
P-8	21 1/2	–	–	3/4-1 1/4	149
C-104	26	–	–	1 1/2	126
C-96	27	–	–	3/4	121
P-3A	29 1/2	–	–	1 3/4	146
P-3SJ	29 1/2	–	–	1 3/4	147
P-3V	29 1/2	–	–	1 3/4	147
P-3	29 1/2	–	–	1 3/4	146
P-1	29 1/2	–	–	1 3/4	145
P-3	29 3/4	–	–	1 3/4	146
C-97	30	–	–	5/8	122
P-3V	30 1/2	–	–	1 3/4	147
P-3	30 1/2	–	–	1 3/4	146
S-26	31 3/16	–	–	5/8	213
C-95	34	–	–	3/4	121

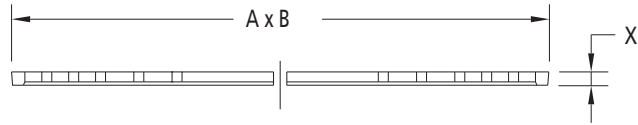
SUMMARY – TRENCH GRATES



Note that all dimensions are in inches.

CODE	DIMENSIONS (in.)				PAGE
	A	B	C	X	
P-37-1	–	11 1/4	17 1/4	1 3/8	178
P-29-2	–	11 7/8	24	1 3/4	168
P-29	–	11	24	2	168
P-29-1	–	12	14	1 3/4	168
P-19E	–	12	24	1 1/2	156
P-28-1	–	12	24	1	167
P-29-3	–	12	36	1 3/4	168
P-37-2	–	13 3/4	23 3/4	1 5/8	178
P-29-4	–	14 1/2	37 3/4	1 1/2	168
P-29-5	–	14 3/4	36	1 1/2	168
P-39-2	–	15	21 1/2	1 3/4	179
P-29-7	–	15 1/4	36	1 3/4	168
P-29-8	–	17 1/2	38 3/4	2	168
P-70	–	18 3/8	76 5/8	3	209
P-29-9	–	20 1/2	37 3/4	1 1/2	168
P-31	–	21	36	2	171
P-29-10	–	21 1/4	35 7/8	1 3/4	168
P-39-1	–	22	22	1 5/8	179
P-29-11	–	26 3/8	37 3/4	1 1/2	168
P-31-1	–	26 7/8	35 5/8	2	171

SUMMARY – TREE GRATES



Note that all dimensions are in inches.

CODE	DIMENSIONS (in.)			PAGE
	A	B	X	
GA-103	39	39	1 1/2	129
GA-152	39 1/4	39 1/4	1 11/16	134
GA-110	44 1/4	44 1/4	2 9/16	133
GA-108	45	45	1 1/4	132
GA-105	48 1/4	48 1/4	1 1/4	130
GA-126	48	54	1 3/4	133
GA-104	54 3/4	54 3/4	2 5/8	129
GA-104 & GA-151	55	55	2 5/8	130
GA-151	55	55	2 5/8	134
GA-201	55	55	2 1/2	136
GA-106	58 1/2	58 1/2	2	131
GA-106A	58 5/8	60	2	131
GA-176	60	60	1 1/2	135
GA-102	60	60	2	128
GA-107	72	36	2	132
GA-185	72	72	1 1/2	135
GA-101	72	72	3 1/4	128
Prefabricated tree protectors				137
Frames for tree grates				138

SUMMARY – CESSPOOL TRAPS

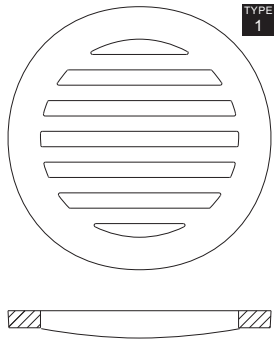
Note that all dimensions are in inches.

CODE	DESCRIPTION	PAGE
T-1	"For 8-in conduit"	214
T-1R	"For 8-in conduit"	215
T-1Q	"For 8-in conduit"	214
T-6	"For 10-in conduit"	215
T-7	"For 12-in conduit"	216
T-8	"For 12-in conduit"	216
T-15	"For 15-in conduit"	217
T-18	"For 18-in conduit"	217
T-20	"For 20-in conduit"	217

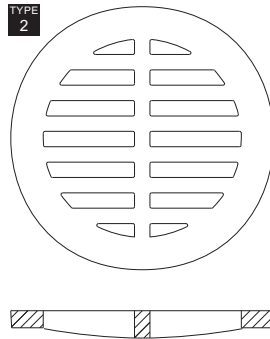
SUMMARY – CLEATS AND BOLLARDS

CODE	DESCRIPTION	PAGE
B-1	Cleat	21
B-2	Cleat	21
B-3	Cleat	22
B-101	Bollard	23
B-102	Bollard	24
B-103	Bollard	25
B-104	Bollard	26
B-105	Bollard	27
B-107	Bollard	28
B-108	Bollard	29

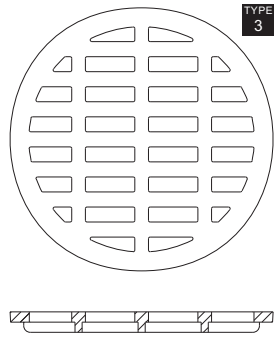
TYPES OF CIRCULAR GRATES



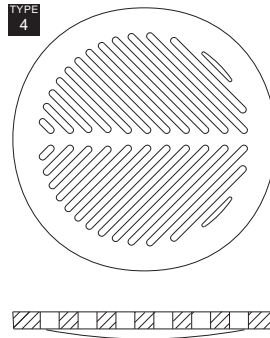
TYPE 1



TYPE 2



TYPE 3

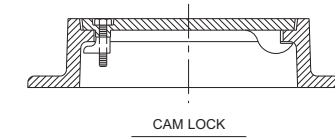


TYPE 4

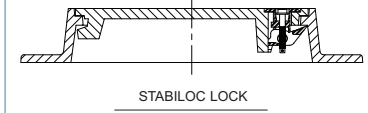
NOTE: Some concave grates also available.

TYPES OF LOCKS

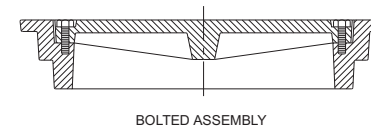
TYPES OF LOCKING MECHANISM AVAILABLE



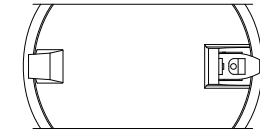
CAM LOCK



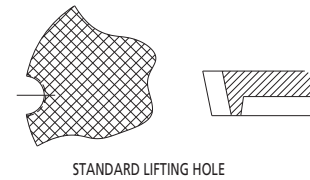
STABILOC LOCK



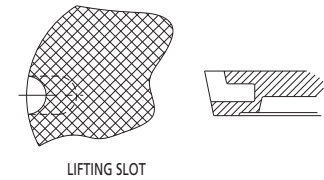
BOLTED ASSEMBLY



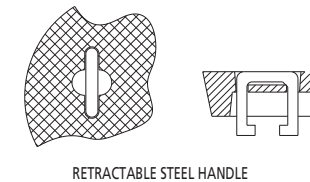
HOLES AND LIFTING MECHANISM



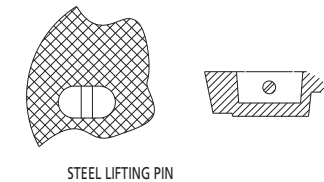
STANDARD LIFTING HOLE



LIFTING SLOT



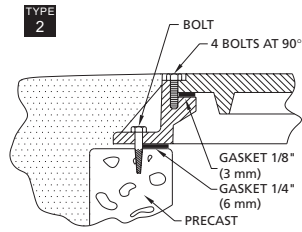
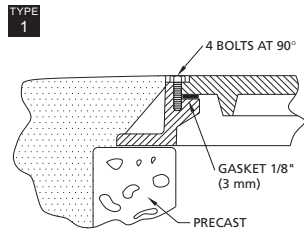
RETRACTABLE STEEL HANDLE



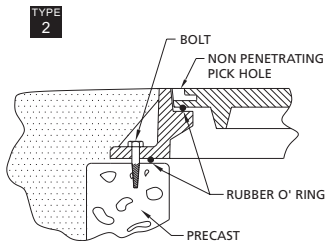
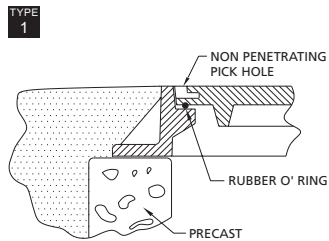
STEEL LIFTING PIN

WATERTIGHT – AIRPROOF

WATERTIGHT (INFILTRATION)

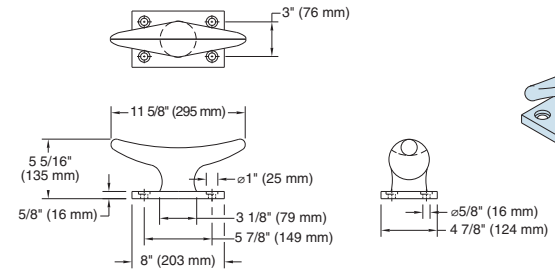


AIRPROOF (GASES)



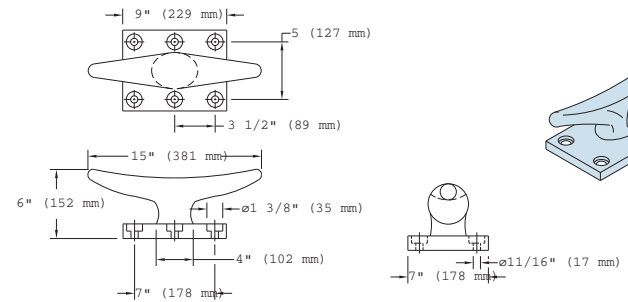
CLEATS

B-1



	MATERIAL	LBS	KG
CLEAT	GREY IRON	20	9

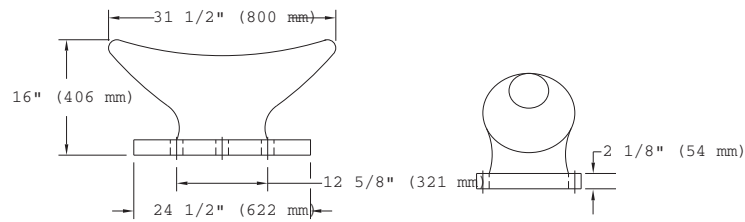
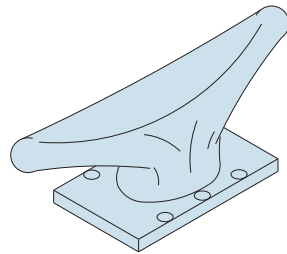
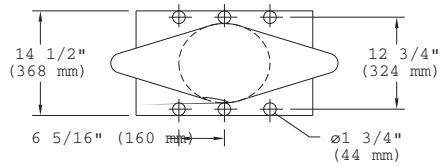
B-2



	MATERIAL	LBS	KG
CLEAT	GREY IRON	30	14

(APPROX.)

B-3



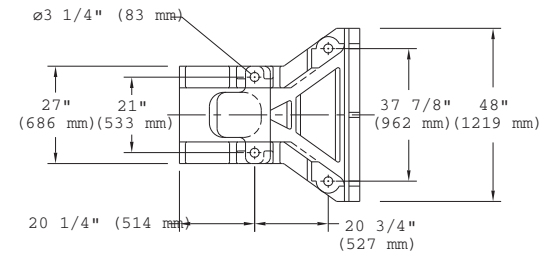
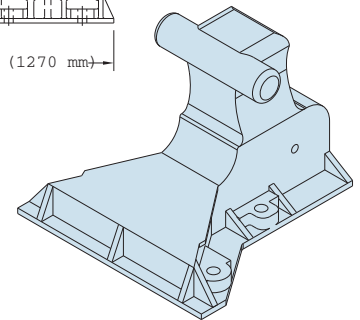
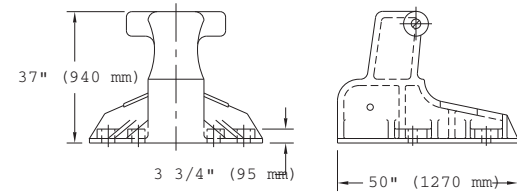
	MATERIAL	LBS	KG
CLEAT	GREY IRON	500	227

(APPROX.)



www.bibby-ste-croix.com

B-101



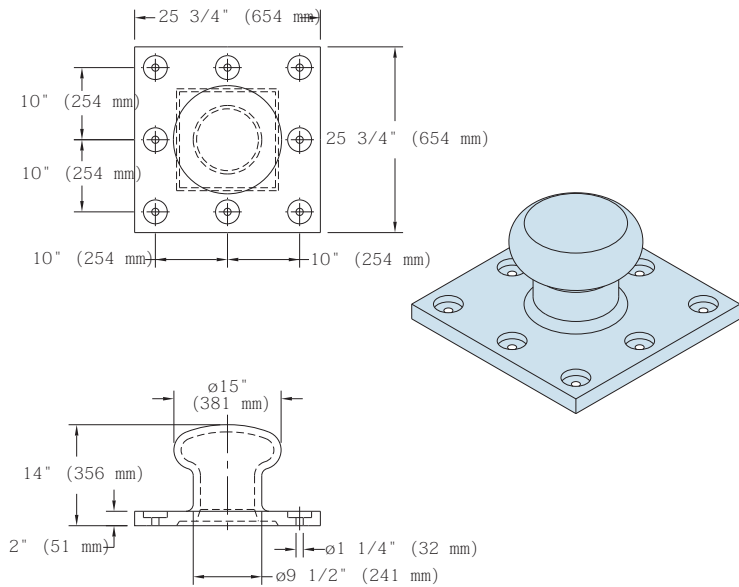
	MATERIAL	LBS	KG
BOLLARD	GREY IRON	2,400	1,091

(APPROX.)

www.bibby-ste-croix.com



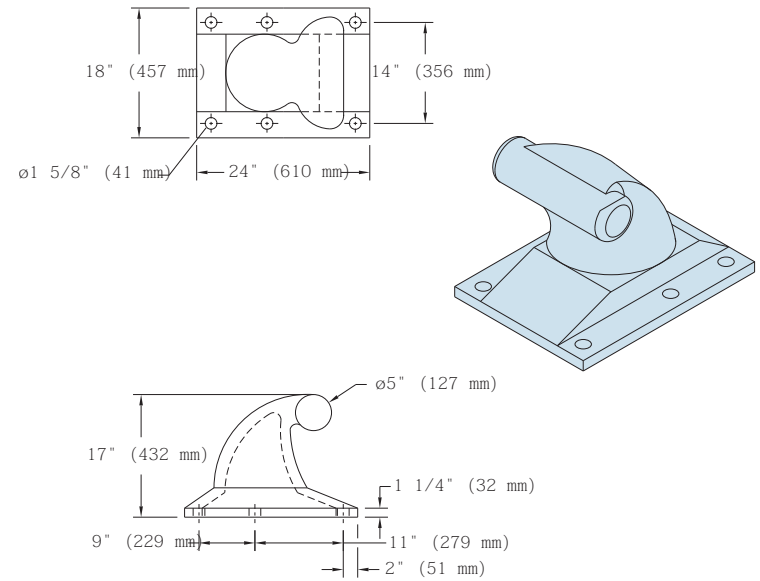
B-102



	MATERIAL	LBS	KG
BOLLARD	GREY IRON	500	227

(APPROX.)

B-103

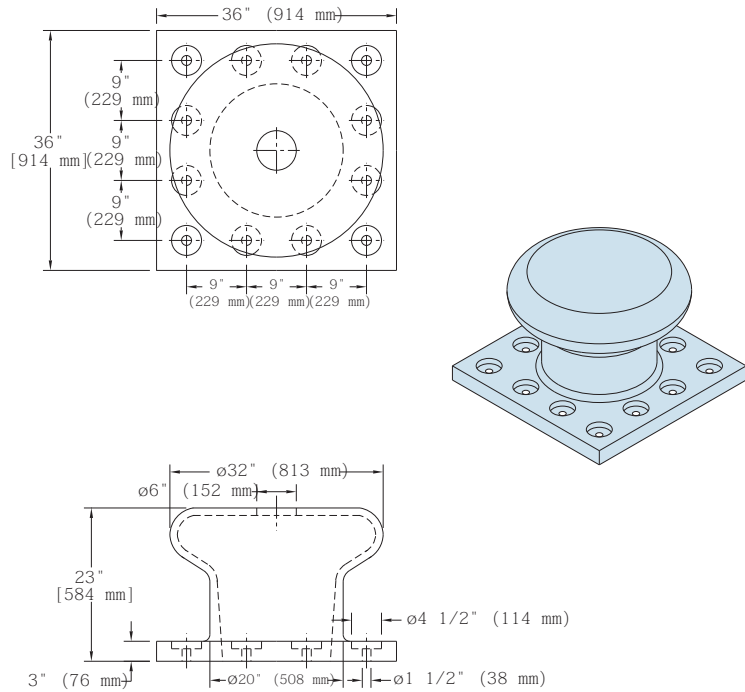


	MATERIAL	LBS	KG
BOLLARD	GREY IRON	335	152

(APPROX.)

BOLLARDS

B-104



	MATERIAL	LBS	KG
BOLLARD	GREY IRON	1,400	636

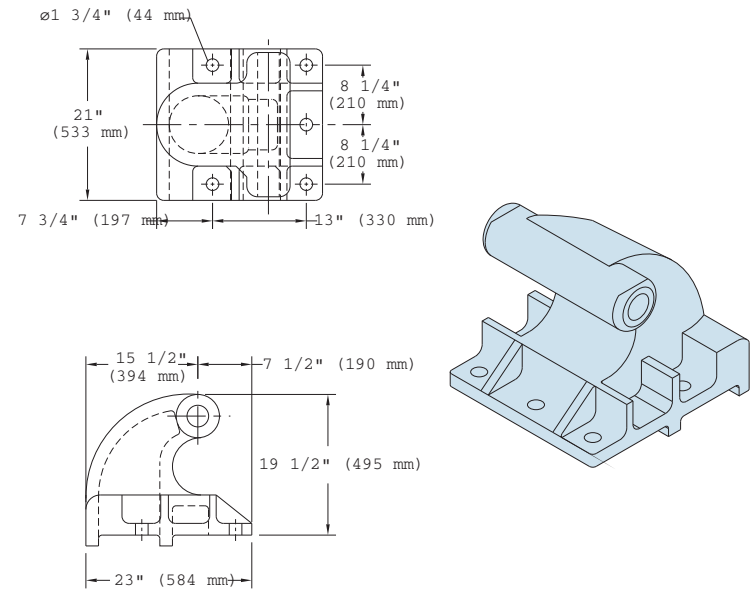
(APPROX.)



www.bibby-ste-croix.com

BOLLARDS

B-105



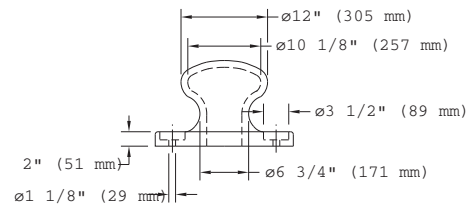
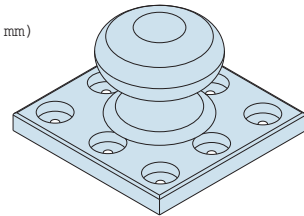
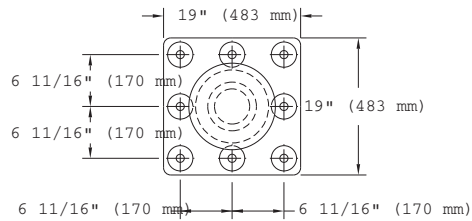
	MATERIAL	LBS	KG
BOLLARD	GREY IRON	685	311

(APPROX.)

www.bibby-ste-croix.com



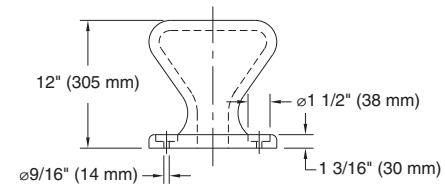
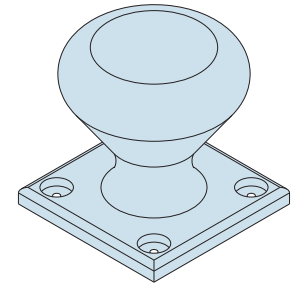
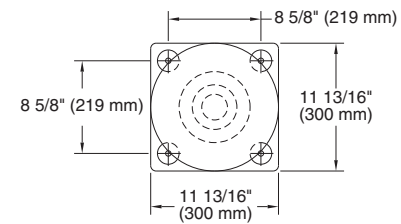
B-107



	MATERIAL	LBS	KG
BOLLARD	GREY IRON	245	111

(APPROX.)

B-108

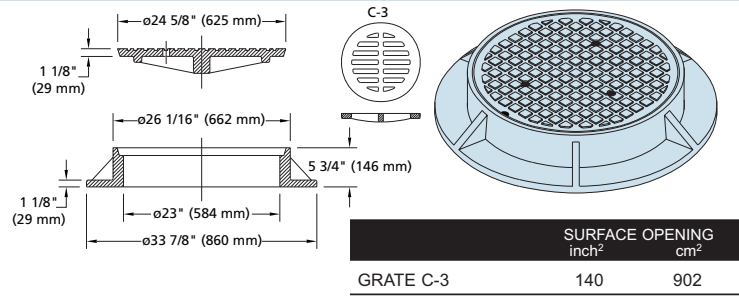


	MATERIAL	LBS	KG
BOLLARD	GREY IRON	180	82

(APPROX.)

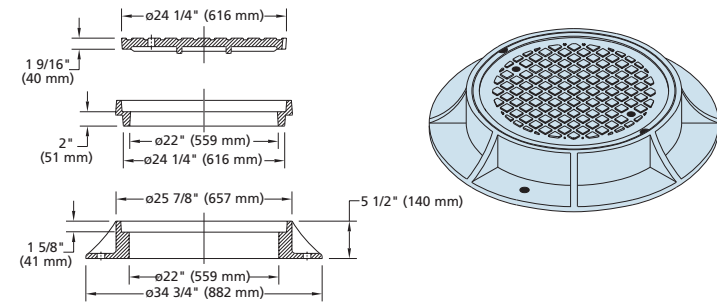
IMPORTANT: The model numbers refer to the frames. Each piece is sold separately.

C-3



	MATERIAL	LBS	KG
FRAME	GREY IRON	260	118
COVER	GREY IRON	175	80
GRATE	GREY IRON	105	48

C-3A

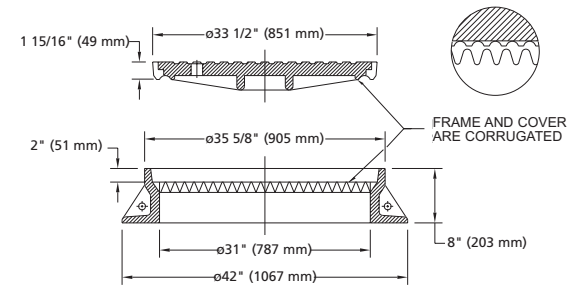
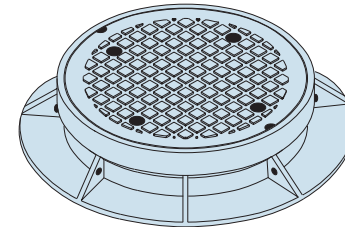


	MATERIAL	LBS	KG
FRAME	GREY IRON	275	125
COVER	GREY IRON	125	57
RISER 2s (51 mm)	GREY IRON	77	35

(APPROX.)

IMPORTANT: The model numbers refer to the frames. Each piece is sold separately.

C-4A

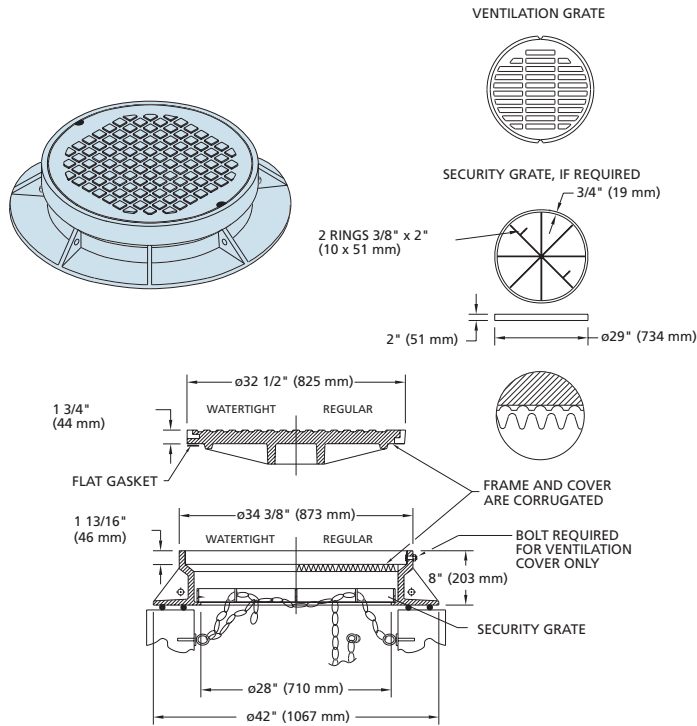


	MATERIAL	LBS	KG
FRAME	GREY IRON	414	188
COVER	GREY IRON	458	208

(APPROX.)

IMPORTANT: The model numbers refer to the frames. Each piece is sold separately.

C-4BS



Available tight 1.

	MATERIAL	LBS	KG
FRAME C-4BS	GREY IRON	400	182
COVER	GREY IRON	335	152
VENT. GRATE C-4BS	GREY IRON	370	168
SECURITY GRATE	STEEL	26	12

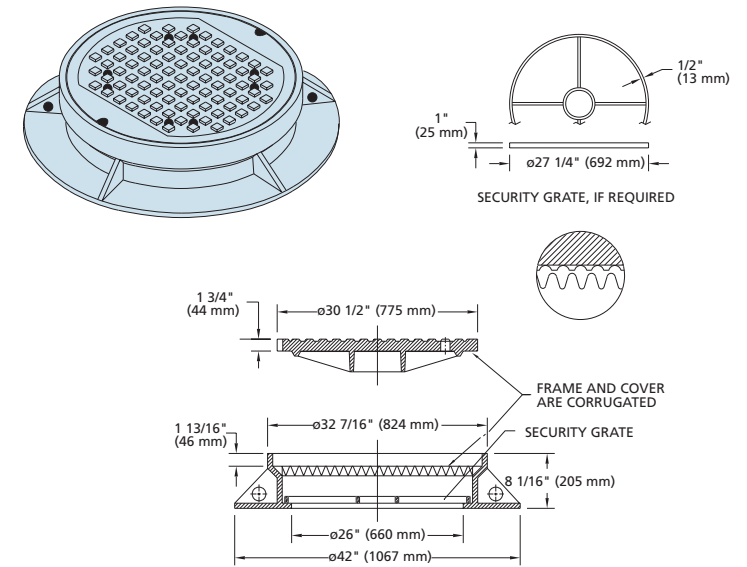
(APPROX.)



www.bibby-ste-croix.com

IMPORTANT: The model numbers refer to the frames. Each piece is sold separately.

C-4S



	MATERIAL	LBS	KG
FRAME C-4S	GREY IRON	395	180
COVER C-4	GREY IRON	270	123
SECURITY GRATE	STEEL	20	9

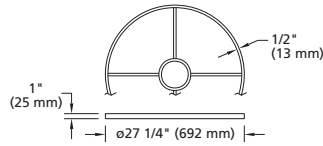
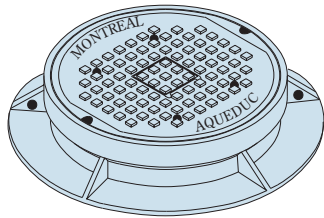
(APPROX.)

www.bibby-ste-croix.com

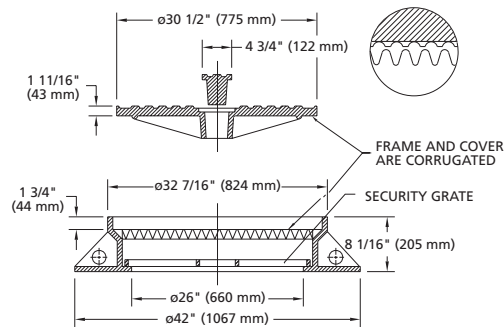


IMPORTANT: The model numbers refer to the frames. Each piece is sold separately.

C-4V



SECURITY GRATE, IF REQUIRED

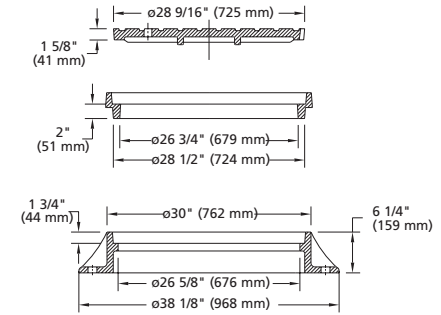
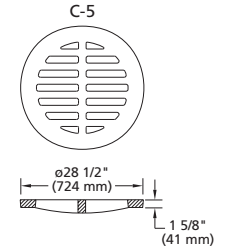
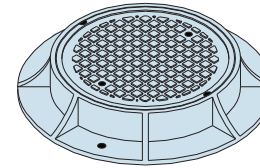


	MATERIAL	LBS	KG
FRAME C-4S	GREY IRON	395	180
COVER C-4V	GREY & DUCTILE IRON	285	130
PLUG	GREY & DUCTILE IRON	10	5
SECURITY GRATE	STEEL	20	9

(APPROX.)

IMPORTANT: The model numbers refer to the frames. Each piece is sold separately.

C-5



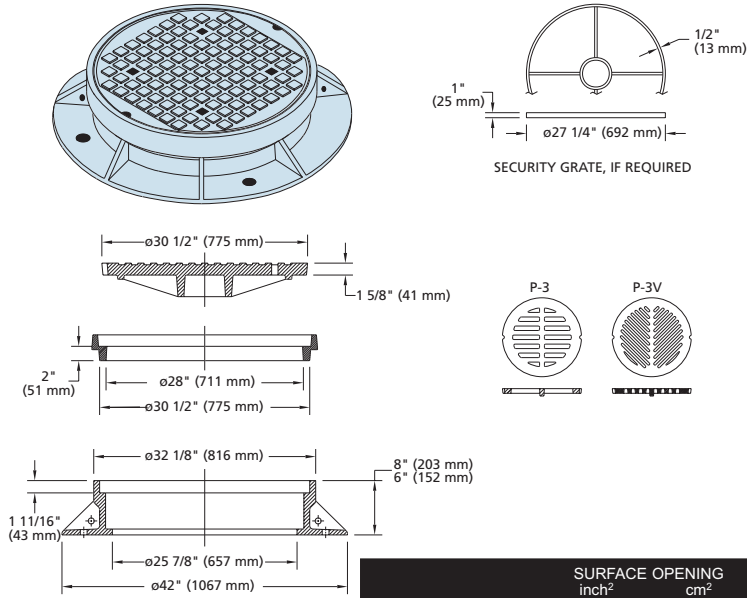
	SURFACE OPENING	
	inch ²	cm ²
GRATE C-5	230	1,485

	MATERIAL	LBS	KG
FRAME	GREY IRON	210	95
COVER	GREY IRON	175	80
GRATE	GREY IRON	150	68
RISER 2x (51 mm)	GREY IRON	80	36

(APPROX.)

IMPORTANT: The model numbers refer to the frames. Each piece is sold separately.

C-6S



	SURFACE OPENING	
	inch ²	cm ²
GRATE P-3	248	1,603
GRATE P-3V	284	1,838

Available watertight 1 and 2

	MATERIAL	LBS	KG
FRAME 8 \leq (203 mm)	GREY IRON	420	191
FRAME 6 \leq (252 mm)	GREY IRON	308	140
COVER C-6	GREY & DUCTILE IRON	270	123
GRATE P-3 30 1/2 \leq (775 mm)	GREY & DUCTILE IRON	180	82
GRATE P-3V 30 1/2 \leq (775 mm)	GREY & DUCTILE IRON	200	91
RISER 2 \leq (51 mm)	GREY IRON	105	48
SECURITY GRATE	STEEL	20	9

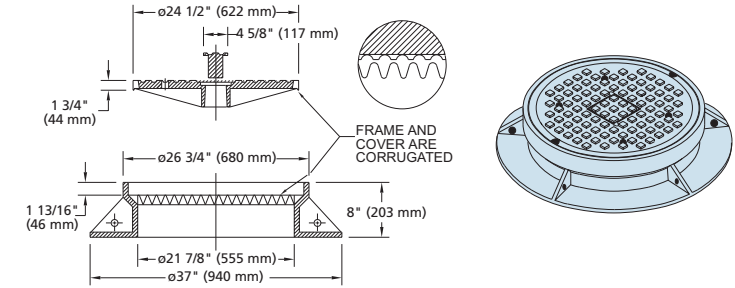
(APPROX.)



www.bibby-ste-croix.com

IMPORTANT: The model numbers refer to the frames. Each piece is sold separately.

C-8



	MATERIAL	LBS	KG
FRAME	GREY IRON	350	159
COVER	GREY IRON	200	91
PLUG	GREY IRON	10	5

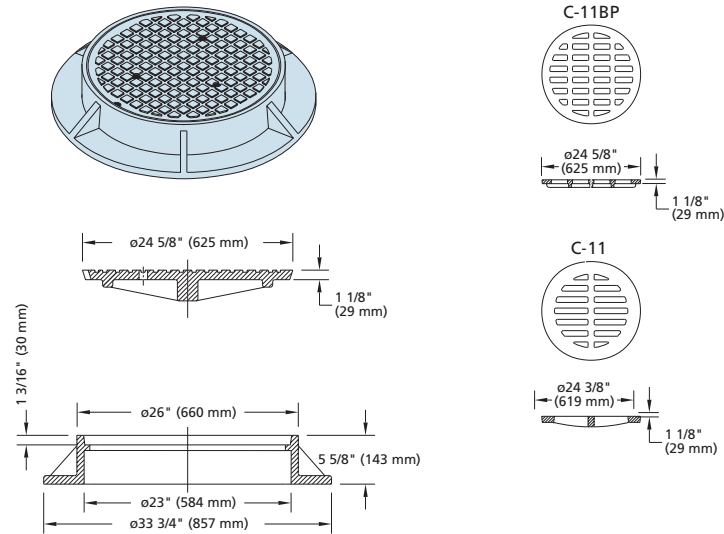
(APPROX.)

www.bibby-ste-croix.com



IMPORTANT: The model numbers refer to the frames. Each piece is sold separately.

C-11



Available with 4 bolts and NPPH

	SURFACE OPENING	
	inch ²	cm ²
GRATE C-11	116	746
GRATE C-11BP	134	863

	MATERIAL	LBS	KG
FRAME	GREY IRON	175	80
COVER	GREY IRON	119	54
GRATE C-11	GREY IRON	100	45
GRATE C-11BP	GREY IRON	145	66

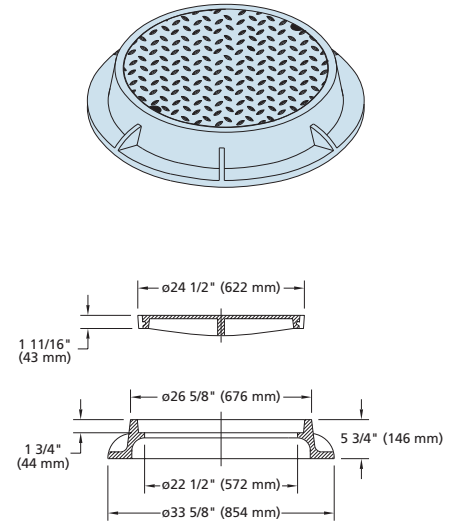
(APPROX.)



www.bibby-ste-croix.com

IMPORTANT: The model numbers refer to the frames. Each piece is sold separately.

C-12T



	MATERIAL	LBS	KG
FRAME	GREY IRON	225	102
COVER	GREY IRON	150	68

(APPROX.)

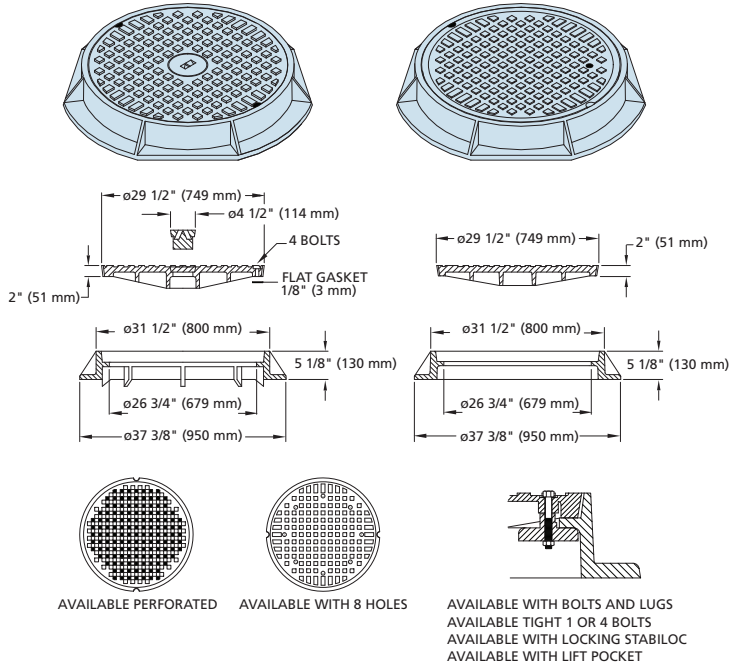
www.bibby-ste-croix.com



FRAMES AND COVERS

IMPORTANT: The model numbers refer to the frames. Each piece is sold separately.

C-13A



	MATERIAL	LBS	KG
FRAME	GREY IRON	225	102
FRAME WITH LEGS	GREY IRON	250	114
PERFORATED COVER	GREY IRON	233	106
SOLID COVER 8 HOLES	GREY IRON	216	98
COVER WITH PLUG	GREY IRON	216	98
PLUG	GREY IRON	10	5

(APPROX.)

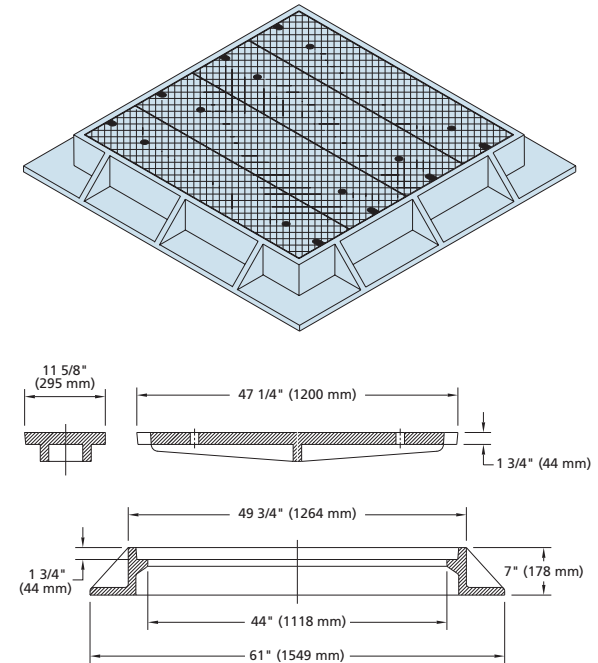


www.bibby-ste-croix.com

FRAMES AND COVERS

IMPORTANT: The model numbers refer to the frames. Each piece is sold separately.

C-15



	MATERIAL	LBS	KG
FRAME	GREY IRON	1,100	499
COVER (4X)	DUCTILE IRON	300	136

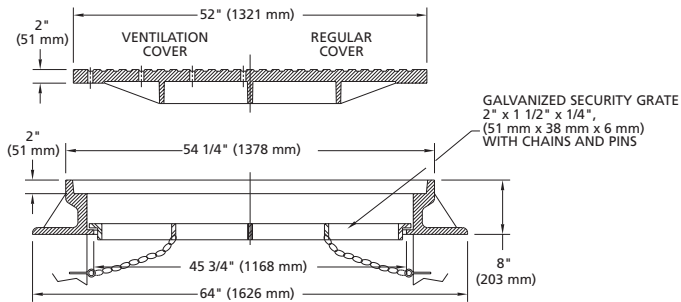
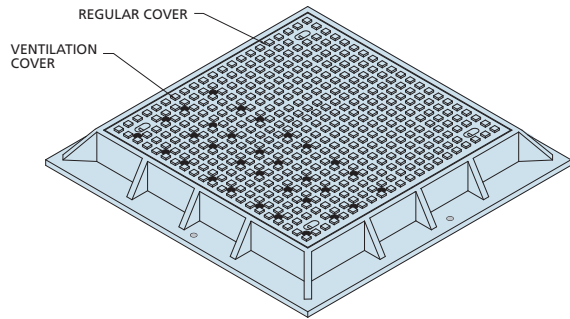
(APPROX.)



www.bibby-ste-croix.com

IMPORTANT: The model numbers refer to the frames. Each piece is sold separately.

C-15A



AVAILABLE WITH 4 LIFT POCKETS

	MATERIAL	LBS	KG
FRAME	GREY IRON	1,130	513
COVER	GREY IRON	1,570	712
PERFORATED COVER	GREY IRON	1,280	581
SECURITY GRATE GS15A	STEEL	124	56

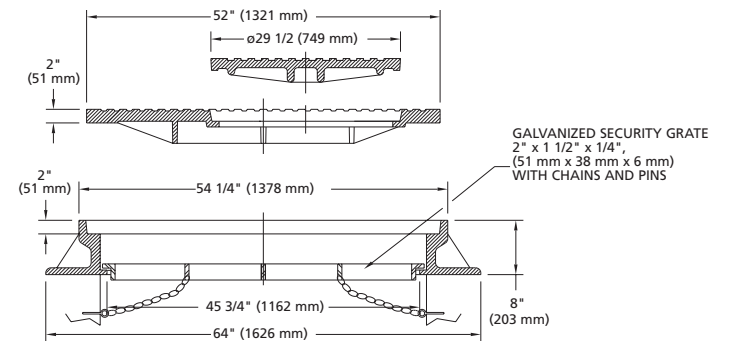
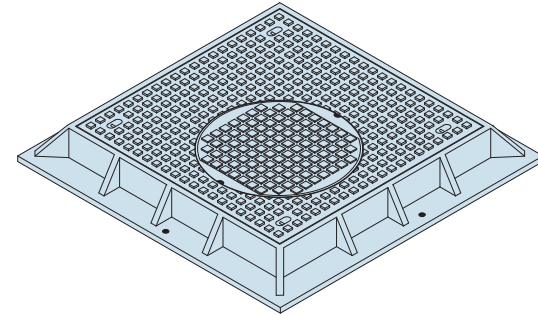
(APPROX.)



www.bibby-ste-croix.com

IMPORTANT: The model numbers refer to the frames. Each piece is sold separately.

C-15AB



	MATERIAL	LBS	KG
FRAME	GREY IRON	1,130	513
COVER C-15AB	GREY IRON	1,280	581
ROUND COVER C-20	GREY IRON	200	91
SECURITY GRATE GS15A	STEEL	124	56

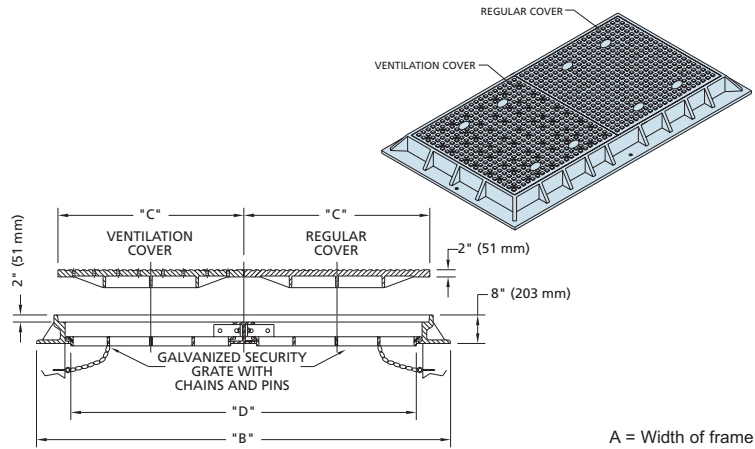
(APPROX.)

www.bibby-ste-croix.com



IMPORTANT: The model numbers refer to the frames. Each piece is sold separately.

C-15B / C-15C / C-15D



A = Width of frame

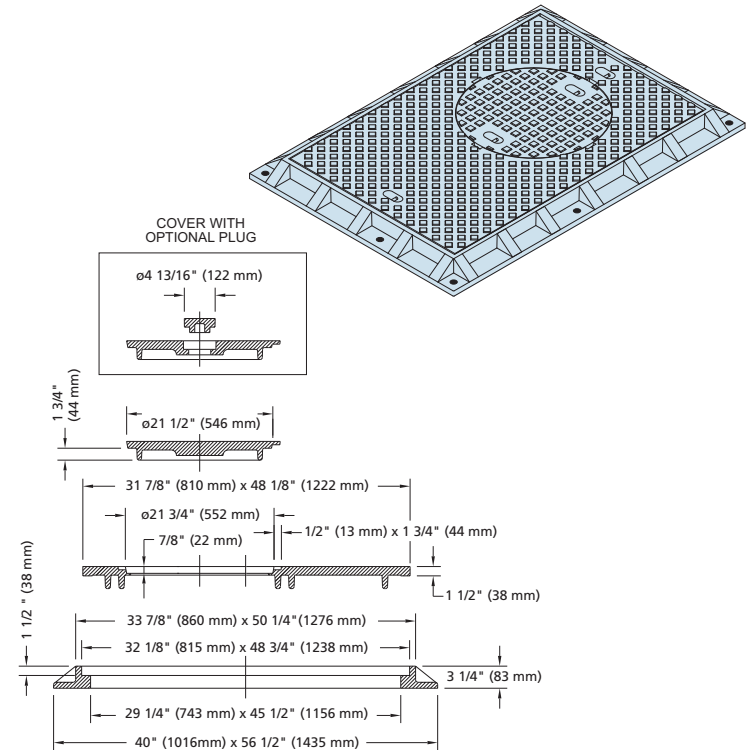
Description	DIMENSIONS inch (mm)			
	A	B	C	D
C-15B	64≤ (1625)	116≤ (2946)	52≤ x 52≤ (1320 ¥ 1320)	48≤ x 100≤ (1219 ¥ 2540)
C-15C	76≤ (1930)	116≤ (2946)	52≤ x 64≤ (1320 ¥ 1625)	60≤ x 100≤ (1524 ¥ 2540)
C-15D	76≤ (1930)	140≤ (3556)	64≤ x 64≤ (1625 ¥ 1625)	60≤ x 124≤ (1524 ¥ 3150)

	MATERIAL	LBS	KG
FRAME C-15B	GREY IRON	1,800	816
COVER (2) C-15B	GREY IRON	1,570	712
FRAME C-15C	GREY IRON	2,160	980
COVER (2) C-15C	GREY IRON	1,850	839
FRAME C-15D	GREY IRON	2,200	998
COVER (2) C-15D	GREY IRON	2,350	1,068
SECURITY GRATE (2) C-15B	STEEL	140	64
SECURITY GRATE (2) C-15C	STEEL	150	68
SECURITY GRATE (2) C-15D	STEEL	170	77

(APPROX.)

IMPORTANT: The model numbers refer to the frames. Each piece is sold separately.

C-16B

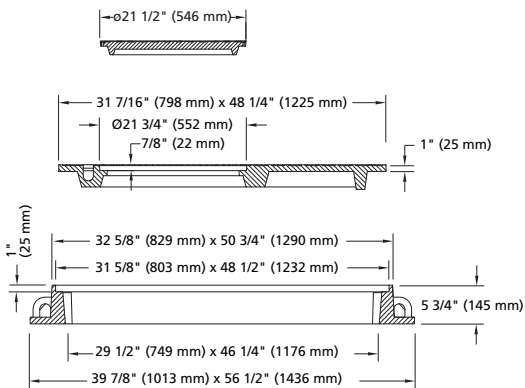
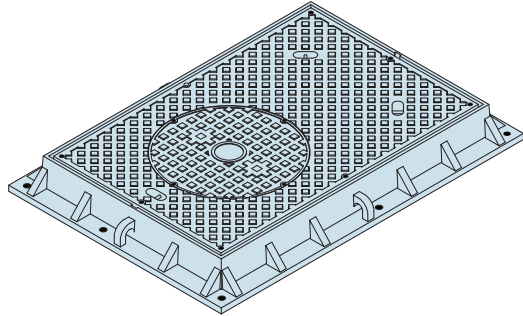


	MATERIAL	LBS	KG
FRAME C-16B	GREY IRON	420	191
RECTANGULAR COVER C-16B	GREY IRON	564	256
ROUND COVER C-16B	GREY IRON	120	55
ROUND COVER WITH PLUG	GREY IRON	120	55

(APPROX.)

IMPORTANT: The model numbers refer to the frames. Each piece is sold separately.

C-16BG

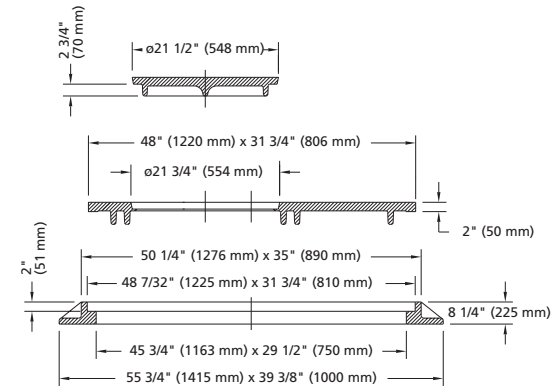
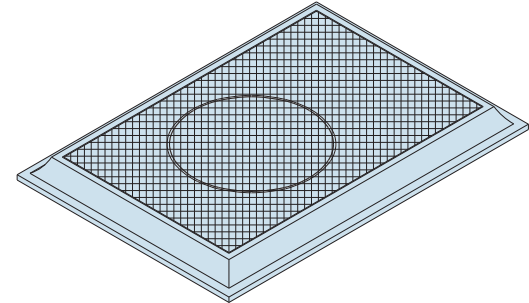


	MATÉRIEL	Lb	Kg
FRAME C-16BG	GREY IRON	675	307
RECTANGULAR COVER C-16BG	GREY IRON	564	256
ROUND COVER C-16BG	GREY IRON	120	55

(APPROX.)

IMPORTANT: The model numbers refer to the frames. Each piece is sold separately.

C-16C



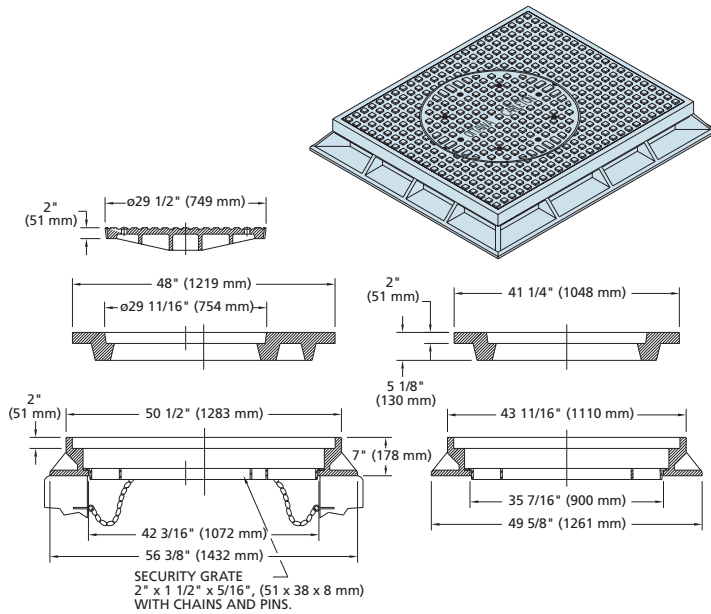
	MATERIAL	LBS	KG
FRAME C-16C	GREY IRON	1,220	555
RECTANGULAR COVER C-16C	GREY IRON	640	291
ROUND COVER C-16C	GREY IRON	143	65

(APPROX.)

FRAMES AND COVERS

IMPORTANT: The model numbers refer to the frames. Each piece is sold separately.

C-16D



	MATERIAL	LBS	KG
FRAME	GREY IRON	760	345
COVER	GREY IRON	740	336
ROUND COVER C-13A	GREY IRON	226	102

(APPROX.)



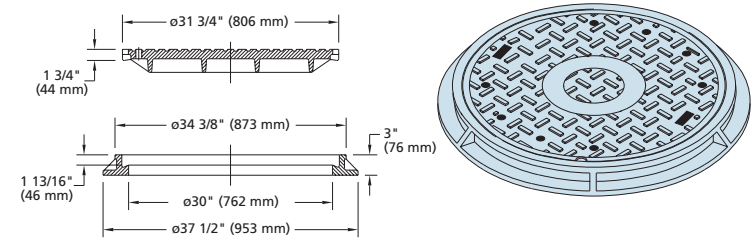
www.bibby-ste-croix.com

FRAMES AND COVERS

IMPORTANT: The model numbers refer to the frames. Each piece is sold separately.

C-17

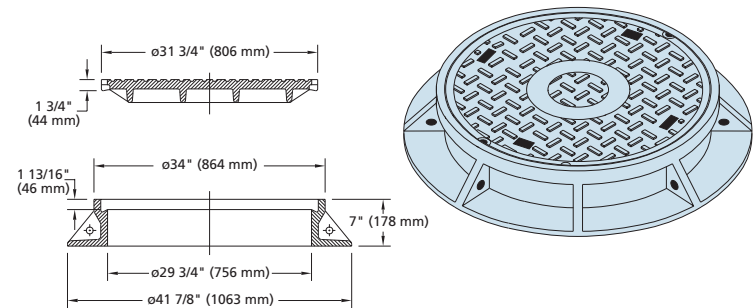
TYPE SIDEWALK



	MATERIAL	LBS	KG
FRAME #CSDE 251	GREY IRON	146	66
COVER #CSDE 253	GREY & DUCTILE IRON	270	123

C-18

TYPE STREET



	MATERIAL	LBS	KG
FRAME #CSDE 252	GREY IRON	360	164
COVER #CSDE 252	GREY & DUCTILE IRON	354	161

(APPROX.)

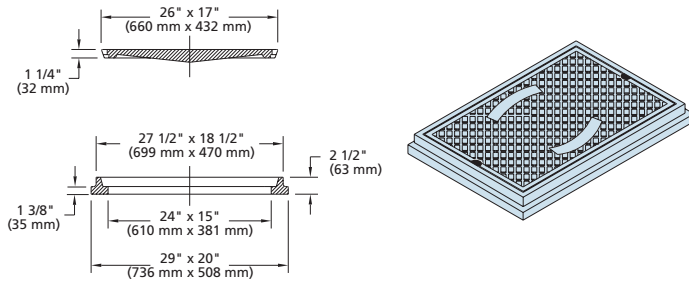
www.bibby-ste-croix.com



FRAMES AND COVERS

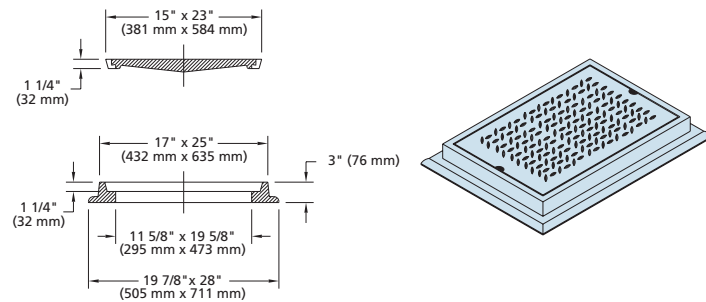
IMPORTANT: The model numbers refer to the frames. Each piece is sold separately.

C-19



	MATERIAL	LBS	KG
FRAME	GREY IRON	100	46
COVER	GREY IRON	145	66

C-19A



	MATERIAL	LBS	KG
FRAME	GREY IRON	140	64
COVER	GREY IRON	80	36

(APPROX.)

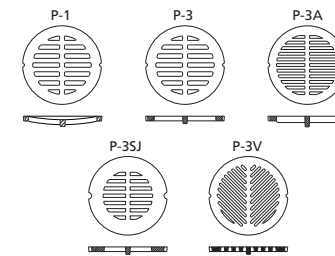
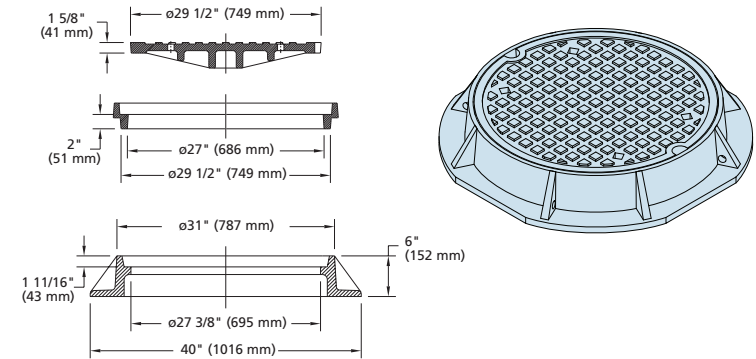


www.bibby-ste-croix.com

FRAMES AND COVERS

IMPORTANT: The model numbers refer to the frames. Each piece is sold separately.

C-20



Available with cam lock
Available with 4 bolts and NPPH

	SURFACE OPENING	
	inch ²	cm ²
GRATE P-1	171	1,103
GRATE P-3	171	1,103
GRATE P-3A	171	1,103
GRATE P-3V	241	1,555
GRATE P-3SJ	130	830

	MATERIAL	LBS	KG
FRAME	GREY IRON	250	114
COVER	GREY & DUCTILE IRON	200	91
GRATE P-1	GREY IRON	210	96
GRATE P-3	GREY & DUCTILE IRON	170	77
GRATE P-3A	GREY IRON	210	96
GRATE P-3V	GREY & DUCTILE IRON	190	86
GRATE P-3SJ	GREY IRON	250	114
RISER 2≤ (51 mm)	GREY IRON	97	44

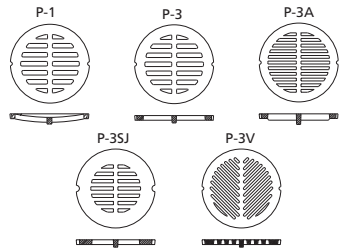
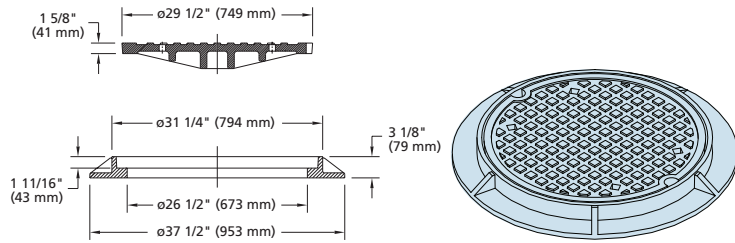
(APPROX.)

www.bibby-ste-croix.com



IMPORTANT: The model numbers refer to the frames. Each piece is sold separately.

C-20A



Available with 4 bolts and NPPH

	SURFACE OPENING	
	Inch ²	cm ²
GRATE P-1	171	1,103
GRATE P-3	171	1,103
GRATE P-3A	171	1,103
GRATE P-3V	241	1,555
GRATE P-3SJ	130	830

	MATERIAL	LBS	KG
FRAME	GREY IRON	165	75
COVER C-20	GREY & DUCTILE IRON	200	91
GRATE P-1	GREY IRON	210	96
GRATE P-3	GREY & DUCTILE IRON	170	77
GRATE P-3A	GREY IRON	210	96
GRATE P-3V	GREY & DUCTILE IRON	190	86
GRATE P-3SJ	GREY IRON	250	114

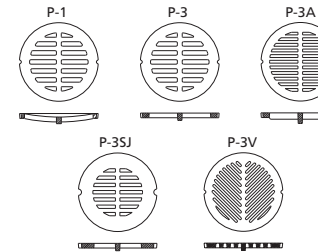
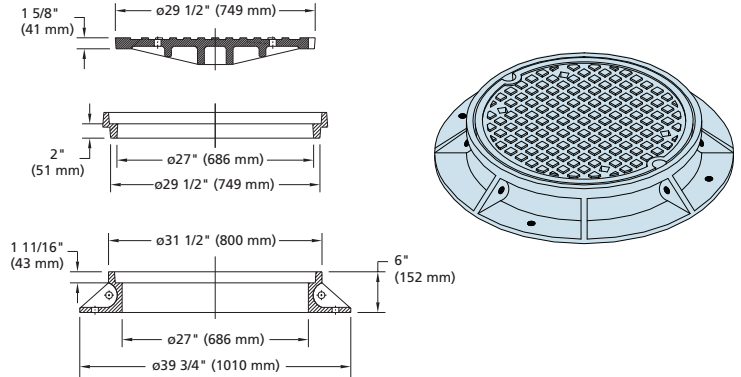
(APPROX.)



www.bibby-ste-croix.com

IMPORTANT: The model numbers refer to the frames. Each piece is sold separately.

C-20B



	SURFACE OPENING	
	Inch ²	cm ²
GRATE P-1	171	1,103
GRATE P-3	171	1,103
GRATE P-3A	171	1,103
GRATE P-3V	241	1,555
GRATE P-3SJ	130	830

	MATERIAL	LBS	KG
FRAME	GREY IRON	265	121
COVER C-20	GREY & DUCTILE IRON	200	91
GRATE P-1	GREY IRON	210	96
GRATE P-3	GREY & DUCTILE IRON	170	77
GRATE P-3A	GREY IRON	210	96
GRATE P-3V	GREY & DUCTILE IRON	190	86
GRATE P-3SJ	GREY IRON	250	114
RISER 2s (51 mm)	GREY IRON	97	44

(APPROX.)

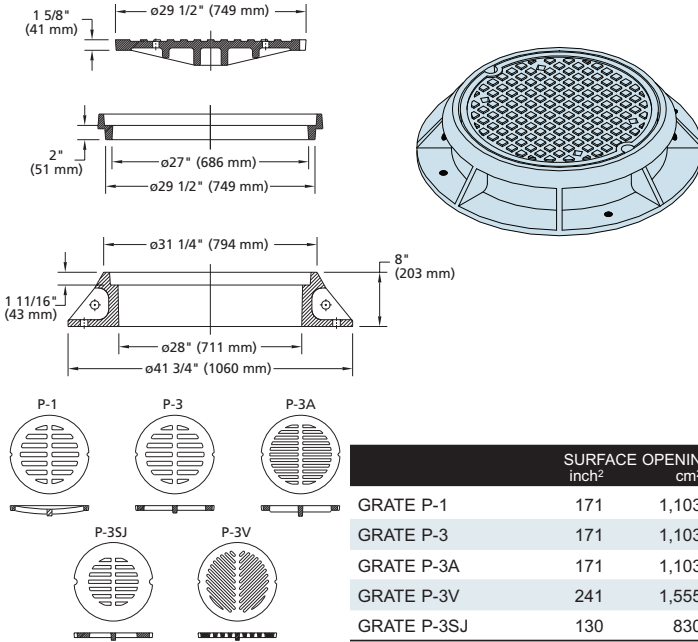


www.bibby-ste-croix.com

FRAMES AND COVERS

IMPORTANT: The model numbers refer to the frames. Each piece is sold separately.

C-20C



	SURFACE OPENING	
	inch ²	cm ²
GRATE P-1	171	1,103
GRATE P-3	171	1,103
GRATE P-3A	171	1,103
GRATE P-3V	241	1,555
GRATE P-3S	130	830

	MATERIAL	LBS	KG
FRAME	GREY IRON	430	196
COVER C-20	GREY & DUCTILE IRON	200	91
GRATE P-1	GREY IRON	210	96
GRATE P-3	GREY & DUCTILE IRON	170	77
GRATE P-3A	GREY IRON	210	96
GRATE P-3V	GREY & DUCTILE IRON	190	86
GRATE P-3S	GREY IRON	250	114
RISER 2s (51 mm)	GREY IRON	97	44

(APPROX.)

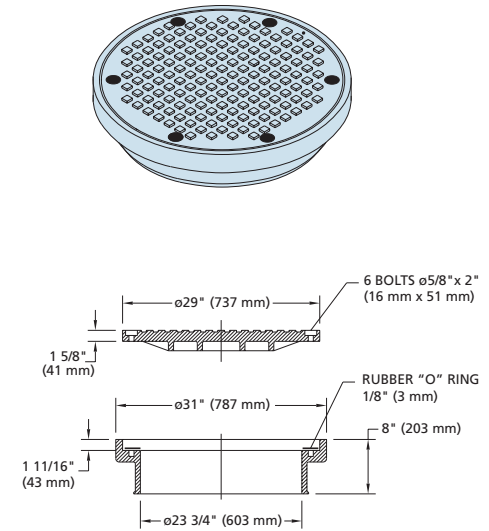


www.bibby-ste-croix.com

FRAMES AND COVERS

IMPORTANT: The model numbers refer to the frames. Each piece is sold separately.

C-21



	MATERIAL	LBS	KG
FRAME	GREY IRON	300	136
COVER	GREY IRON	340	154

(APPROX.)

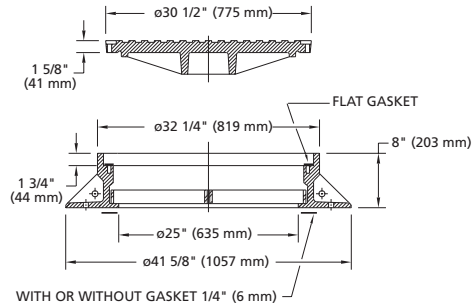
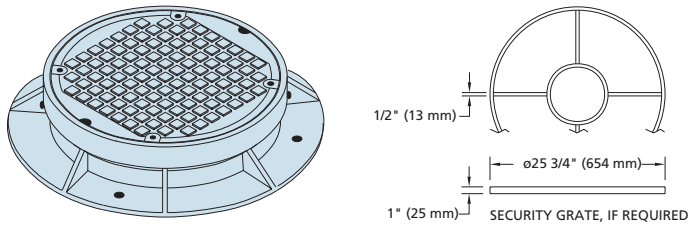


www.bibby-ste-croix.com

IMPORTANT: The model numbers refer to the frames. Each piece is sold separately.

C-22S

WATERTIGHT OR BOLTED



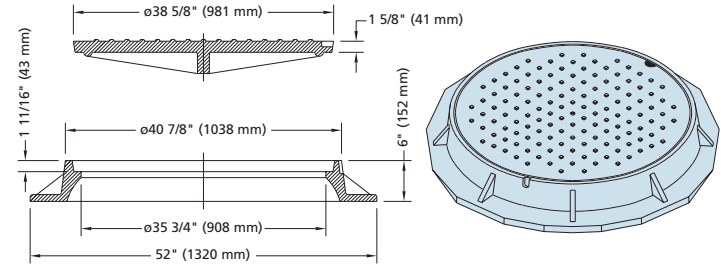
Available tight 1 or 2 bolted

	MATERIAL	LBS	KG
FRAME	GREY IRON	450	204
COVER C-22	GREY & DUCTILE IRON	255	116
SECURITY GRATE GS-22	STEEL	20	9

(APPROX.)

IMPORTANT: The model numbers refer to the frames. Each piece is sold separately.

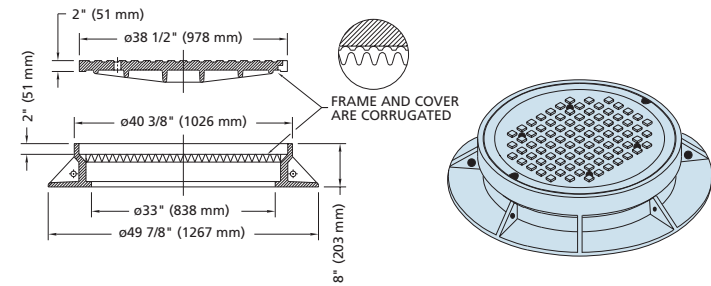
C-23



Available with 4 bolts and NPPH

	MATERIAL	LBS	KG
FRAME	GREY IRON	540	246
COVER	GREY IRON	560	255

C-23AS



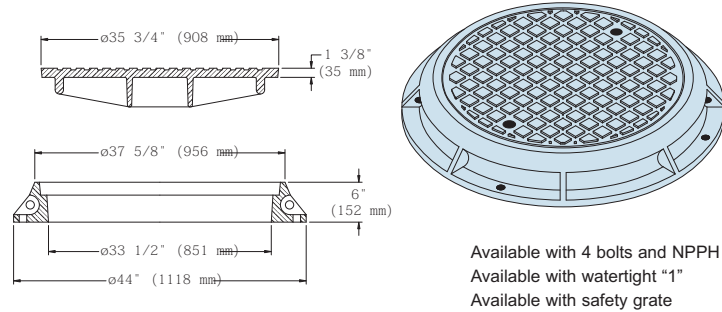
	MATERIAL	LBS	KG
FRAME	GREY IRON	495	225
COVER C-23A	GREY IRON	560	255

(APPROX.)

FRAMES AND COVERS

IMPORTANT: The model numbers refer to the frames. Each piece is sold separately.

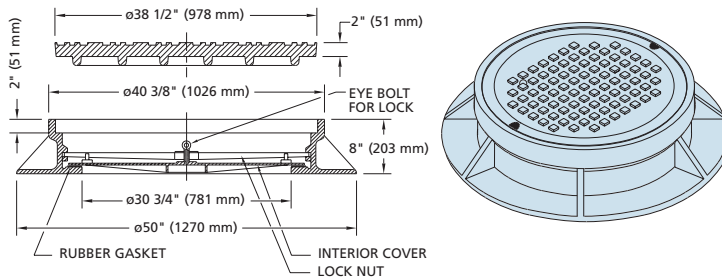
C-23B



Available with 4 bolts and NPPH
Available with watertight "1"
Available with safety grate

	MATERIAL	LBS	KG
FRAME	GREY IRON	350	159
COVER	GREY IRON	325	148

C-23WB



	MATERIAL	LBS	KG
FRAME	GREY IRON	495	225
COVER	GREY IRON	378	171
INNER COVER	GREY IRON	125	57

(APPROX.)

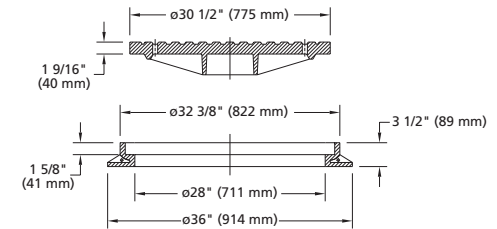
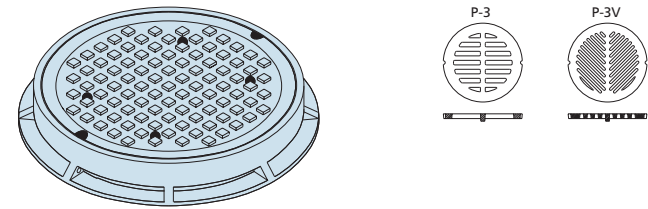


www.bibby-ste-croix.com

FRAMES AND COVERS

IMPORTANT: The model numbers refer to the frames. Each piece is sold separately.

C-24



Available with 4 bolts and NPPH

	SURFACE OPENING	
	inch ²	cm ²
GRATE P-3	248	1,103
GRATE P-3V	284	1,838

	MATERIAL	LBS	KG
FRAME	GREY IRON	200	91
COVER C-6	GREY & DUCTILE IRON	295	134
GRATE P-3	GREY & DUCTILE IRON	180	82
GRATE P-3V 30 1/2≤ (775 mm)	GREY & DUCTILE IRON	200	91
COVER C-22	GREY & DUCTILE IRON	255	116

(APPROX.)

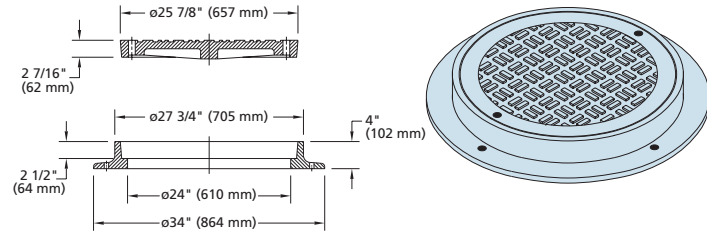
www.bibby-ste-croix.com



FRAMES AND COVERS

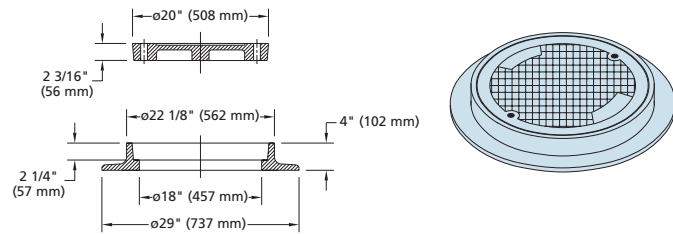
IMPORTANT: The model numbers refer to the frames. Each piece is sold separately.

C-24A



	MATERIAL	LBS	KG
FRAME	GREY IRON	190	86
COVER	GREY IRON	180	82

C-24B



	MATERIAL	LBS	KG
FRAME	GREY IRON	165	75
COVER	GREY IRON	75	34

(APPROX.)

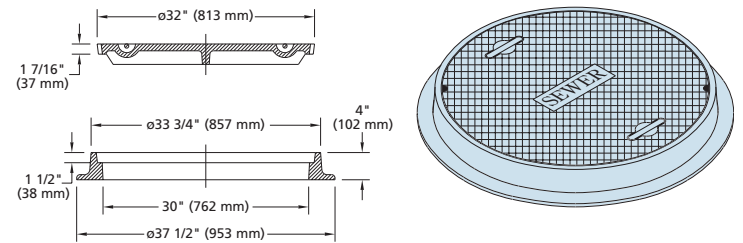


www.bibby-ste-croix.com

FRAMES AND COVERS

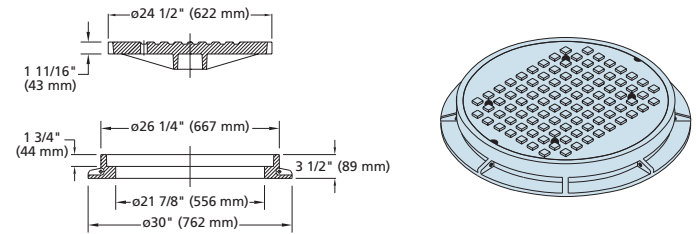
IMPORTANT: The model numbers refer to the frames. Each piece is sold separately.

C-24C



	MATERIAL	LBS	KG
FRAME	GREY IRON	200	91
COVER	GREY IRON	180	82

C-25



	MATERIAL	LBS	KG
FRAME	GREY IRON	155	70
COVER	GREY IRON	195	89

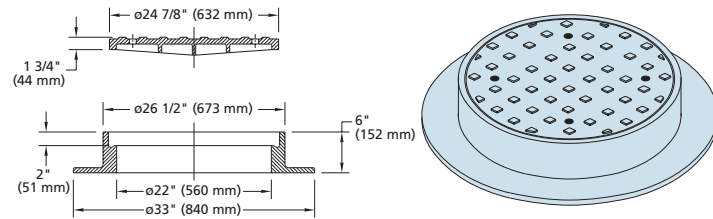
(APPROX.)



www.bibby-ste-croix.com

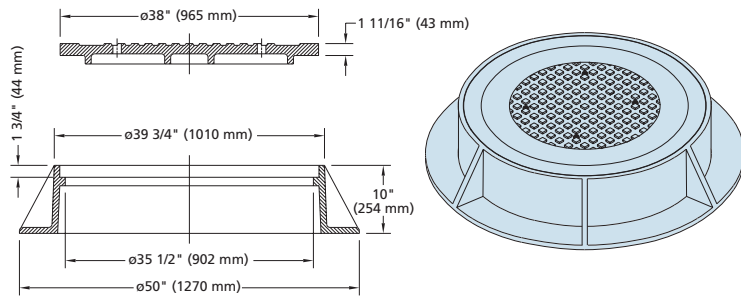
IMPORTANT: The model numbers refer to the frames. Each piece is sold separately.

C-26



	MATERIAL	LBS	KG
FRAME	GREY IRON	270	123
COVER	GREY IRON	140	64

C-28



	MATERIAL	LBS	KG
FRAME	GREY IRON	530	241
COVER	GREY IRON	378	172

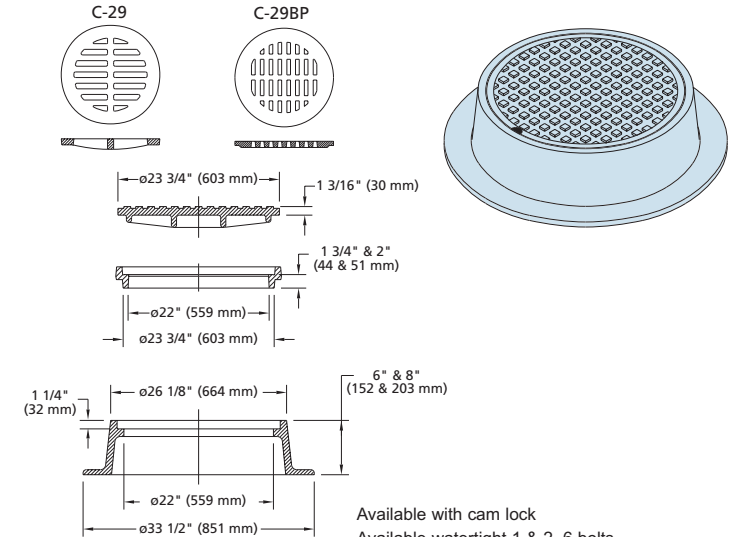
(APPROX.)



www.bibby-ste-croix.com

IMPORTANT: The model numbers refer to the frames. Each piece is sold separately.

C-29



Available with cam lock
Available watertight 1 & 2, 6 bolts

	SURFACE OPENING	
	inch ²	cm ²
GRATE C-29	167	1,075
GRATE C-29BP	92	590

	MATERIAL	LBS	KG
FRAME 6 \leq (152 mm)	GREY IRON	200	91
FRAME 8 \leq (203 mm)	GREY IRON	230	105
COVER	GREY IRON	125	57
GRATE C-29	GREY IRON	105	48
GRATE C-29BP	GREY IRON	105	48
RISER 1 3/4 \leq (44 mm)	GREY IRON	60	27
RISER 2 \leq (51 mm)	GREY IRON	65	30

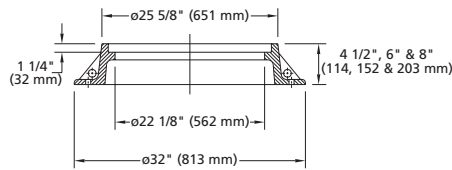
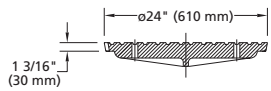
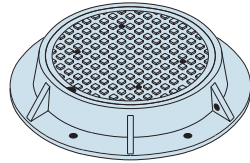
(APPROX.)



www.bibby-ste-croix.com

IMPORTANT: The model numbers refer to the frames. Each piece is sold separately.

C-29BC



	SURFACE OPENING	
	inch ²	cm ²
GRATE C-29BC	113	727

	MATERIAL	LBS	KG
FRAME 4 1/2≤ (114 mm)	GREY IRON	160	73
FRAME 6≤ (152 mm)	GREY IRON	230	105
FRAME 8≤ (203 mm)	GREY IRON	240	109
COVER	GREY IRON	160	73
GRATE C-29BC	GREY IRON	150	68

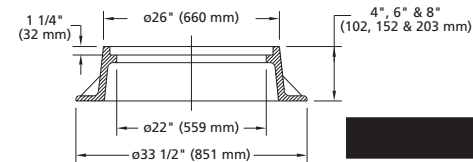
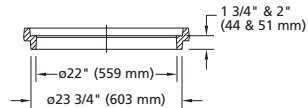
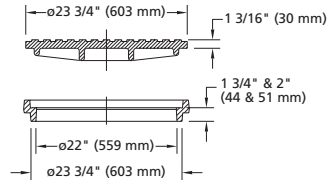
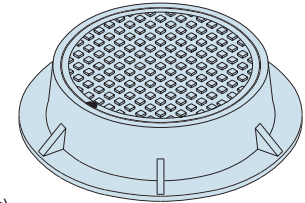
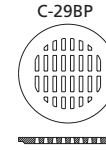
(APPROX.)



www.bibby-ste-croix.com

IMPORTANT: The model numbers refer to the frames. Each piece is sold separately.

C-29R



Available tight 1, 2 or bolted

	SURFACE OPENING	
	inch ²	cm ²
GRATE C-29	167	1,075
GRATE C-29BP	92	590

	MATERIAL	LBS	KG
FRAME 4≤ (102 mm)	GREY IRON	140	64
FRAME 6≤ (152 mm)	GREY IRON	220	100
FRAME 8≤ (203 mm)	GREY IRON	242	110
COVER	GREY IRON	125	57
GRATE C-29	GREY IRON	105	48
GRATE C-29BP	GREY IRON	105	48
RISER 1 3/4≤ (44 mm)	GREY IRON	60	27
RISER 2≤ (51 mm)	GREY IRON	65	29

(APPROX.)

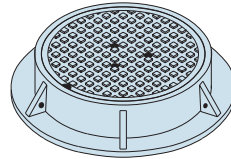
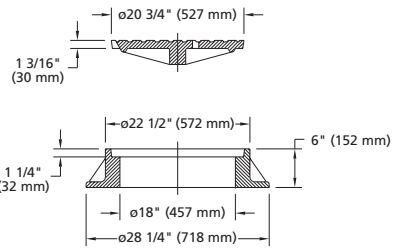
www.bibby-ste-croix.com



FRAMES AND COVERS

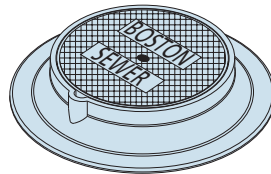
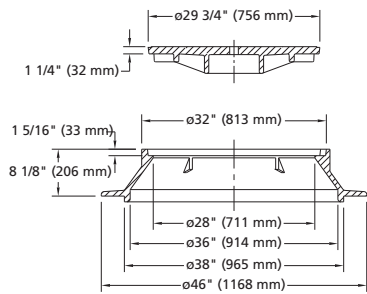
IMPORTANT: The model numbers refer to the frames. Each piece is sold separately.

C-30



	MATERIAL	LBS	KG
FRAME HQ #1007650	GREY IRON	255	116
COVER HQ #1007637	GREY IRON	115	52

C-31



	MATERIAL	LBS	KG
FRAME	GREY IRON	445	202
COVER	GREY IRON	260	118

(APPROX.)

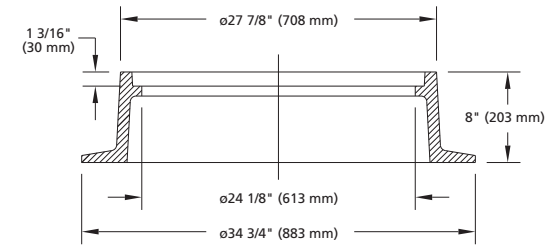
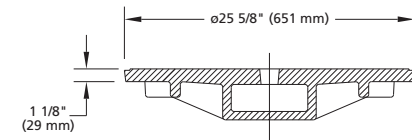
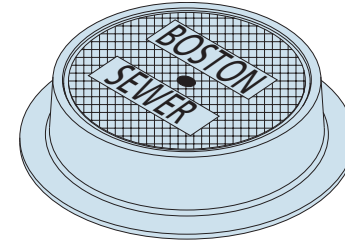


www.bibby-ste-croix.com

FRAMES AND COVERS

IMPORTANT: The model numbers refer to the frames. Each piece is sold separately.

C-32



	MATERIAL	LBS	KG
FRAME	GREY IRON	268	122
COVER	GREY IRON	216	98

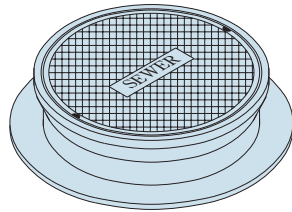
(APPROX.)

www.bibby-ste-croix.com

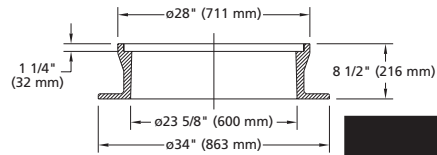
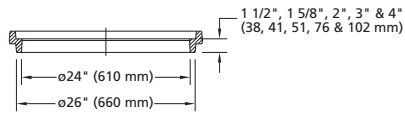
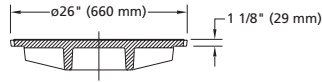
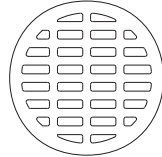


IMPORTANT: The model numbers refer to the frames. Each piece is sold separately.

C-33



C-33



Available bolted

	SURFACE OPENING	
	inch ²	cm ²
GRATE C-33	266	1,705

	MATERIAL	LBS	KG
FRAME	GREY IRON	265	121
COVER	GREY IRON	190	86
GRATE	GREY IRON	120	55
RISER 1 1/2≤ (38 mm)	GREY IRON	70	32
RISER 1 5/8≤ (41 mm)	GREY IRON	70	32
RISER 2≤ (51 mm)	GREY IRON	85	39
RISER 3≤ (76 mm)	GREY IRON	105	48
RISER 4≤ (102 mm)	GREY IRON	180	82

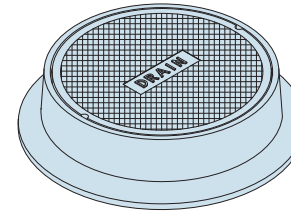
(APPROX.)



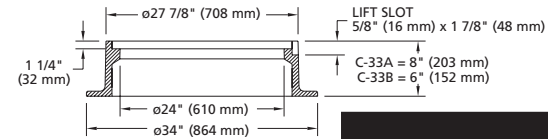
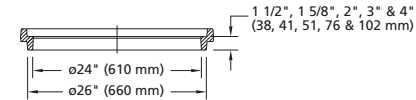
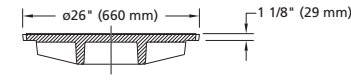
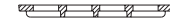
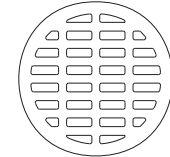
www.bibby-ste-croix.com

IMPORTANT: The model numbers refer to the frames. Each piece is sold separately.

C-33A / C-33B



C-33



Available bolted

	SURFACE OPENING	
	inch ²	cm ²
GRATE C-33	266	1,705

	MATERIAL	LBS	KG
FRAME C-33A	GREY IRON	238	108
FRAME C-33B	GREY IRON	185	84
COVER	GREY IRON	190	86
GRATE	GREY IRON	120	55
RISER 1 1/2≤ (38 mm)	GREY IRON	70	32
RISER 1 5/8≤ (41 mm)	GREY IRON	70	32
RISER 2≤ (51 mm)	GREY IRON	85	39
RISER 3≤ (76 mm)	GREY IRON	105	48
RISER 4≤ (102 mm)	GREY IRON	180	82

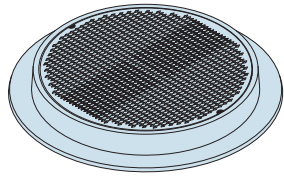
(APPROX.)

www.bibby-ste-croix.com

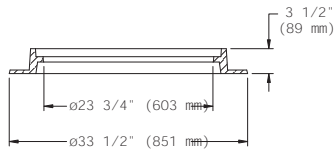
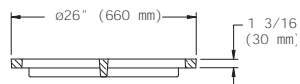
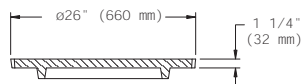
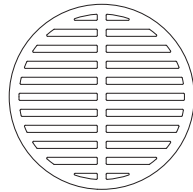


IMPORTANT: The model numbers refer to the frames. Each piece is sold separately.

C-33L (LIGHT)



GRATE C-33



	SURFACE OPENING	
	inch ²	cm ²
GRATE C-33	266	1,705

	MATERIAL	LBS	KG
FRAME C-33L	GREY IRON	130	59
COVER C-33L	GREY IRON	175	80
GRATE C-33	GREY IRON	120	55

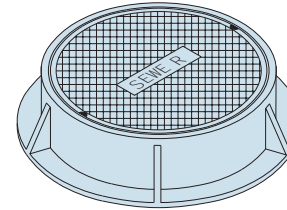
(APPROX.)



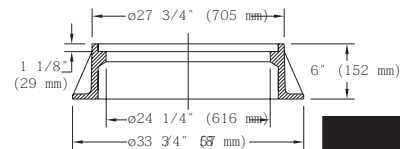
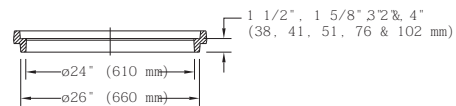
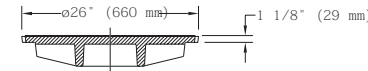
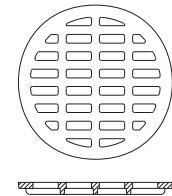
www.bibby-ste-croix.com

IMPORTANT: The model numbers refer to the frames. Each piece is sold separately.

C-33R



C-33



Available bolted

	SURFACE OPENING	
	inch ²	cm ²
GRATE C-33	266	1,705

	MATERIAL	LBS	KG
FRAME	GREY IRON	176	80
COVER	GREY IRON	190	86
GRATE	GREY IRON	120	55
RISER 1 1/2" (38 mm)	GREY IRON	70	32
RISER 1 5/8" (41 mm)	GREY IRON	70	32
RISER 2" (51 mm)	GREY IRON	85	39
RISER 3" (76 mm)	GREY IRON	105	48
RISER 4" (102 mm)	GREY IRON	180	82

(APPROX.)

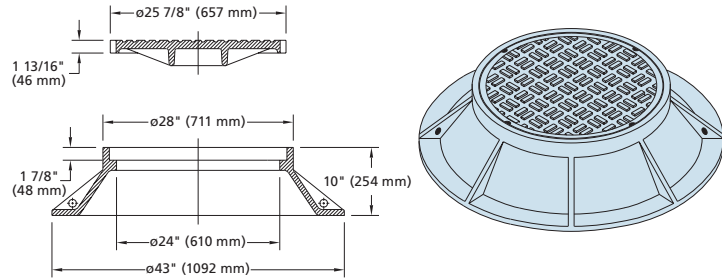
www.bibby-ste-croix.com



FRAMES AND COVERS

IMPORTANT: The model numbers refer to the frames. Each piece is sold separately.

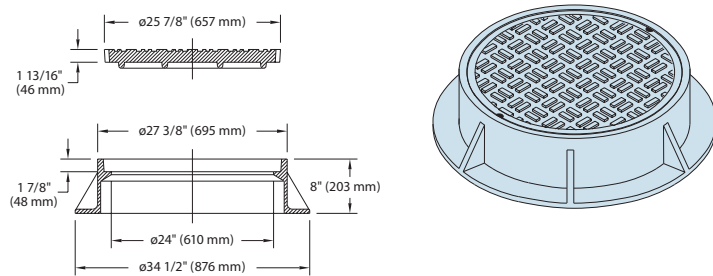
C-34



Available airproof 1

	MATERIAL	LBS	KG
FRAME	GREY IRON	345	157
COVER	GREY IRON	165	75

C-34A



	MATERIAL	LBS	KG
FRAME	GREY IRON	175	80
COVER	GREY IRON	175	80

(APPROX.)

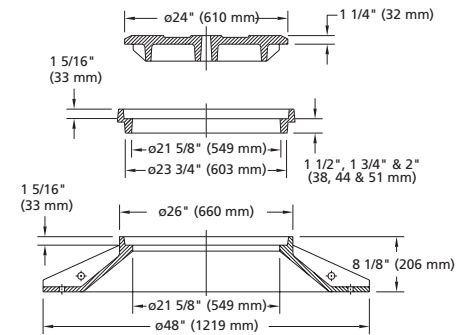
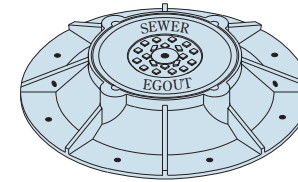


www.bibby-ste-croix.com

FRAMES AND COVERS

IMPORTANT: The model numbers refer to the frames. Each piece is sold separately.

C-35



Available with 4 bolts

	MATERIAL	LBS	KG
FRAME	GREY IRON	420	191
COVER	GREY IRON	180	82
RISER 1 1/2" (38 mm)	GREY IRON	61	28
RISER 1 3/4" (44 mm)	GREY IRON	67	30
RISER 2" (51 mm)	GREY IRON	72	33

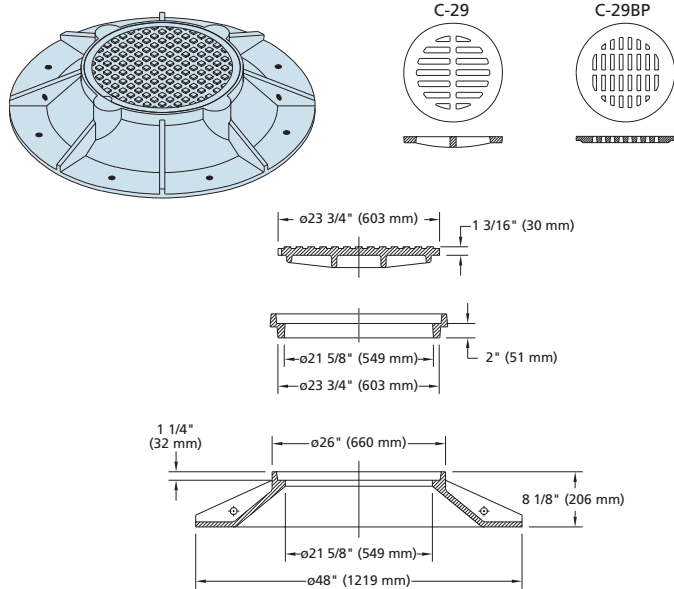
(APPROX.)

www.bibby-ste-croix.com



IMPORTANT: The model numbers refer to the frames. Each piece is sold separately.

C-35A



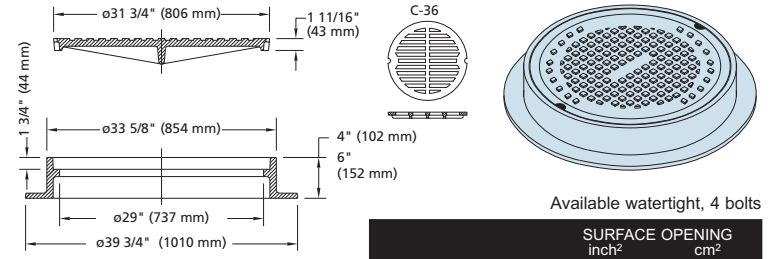
	SURFACE OPENING	
	inch ²	cm ²
GRATE C-29	167	1,075
GRATE C-29BP	92	590

	MATERIAL	LBS	KG
FRAME	GREY IRON	450	205
COVER C-29	GREY IRON	125	57
GRATE C-29	GREY IRON	105	48
GRATE C-29BP	GREY IRON	105	48
RISER 2s (51 mm)	GREY IRON	65	30

(APPROX.)

IMPORTANT: The model numbers refer to the frames. Each piece is sold separately.

C-36

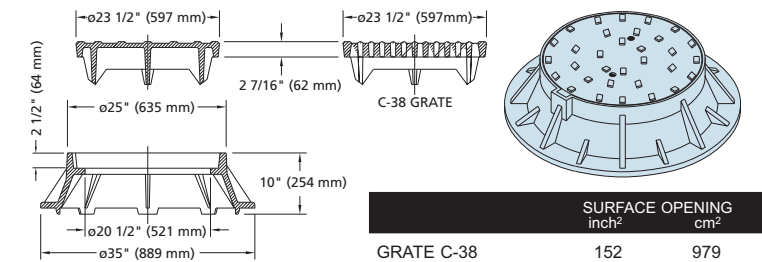


Available watertight, 4 bolts

	SURFACE OPENING	
	inch ²	cm ²
GRATE C-36	270	1,742

	MATERIAL	LBS	KG
FRAME 4s (102 mm)	GREY IRON	230	105
FRAME 6s (152 mm)	GREY IRON	208	95
COVER	GREY IRON	230	105
GRATE	GREY IRON	200	91

C-38



	SURFACE OPENING	
	inch ²	cm ²
GRATE C-38	152	979

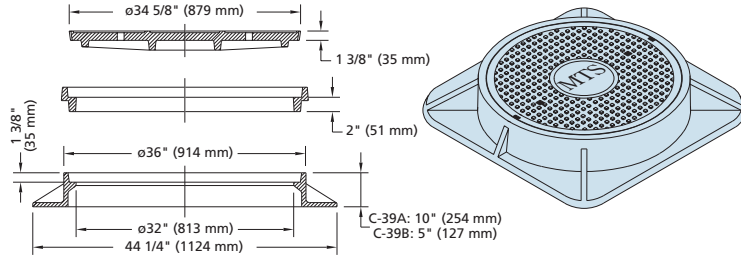
	MATERIAL	LBS	KG
FRAME	GREY IRON	267	121
COVER	GREY IRON	150	68
GRATE C-38	GREY IRON	185	84

(APPROX.)

FRAMES AND COVERS

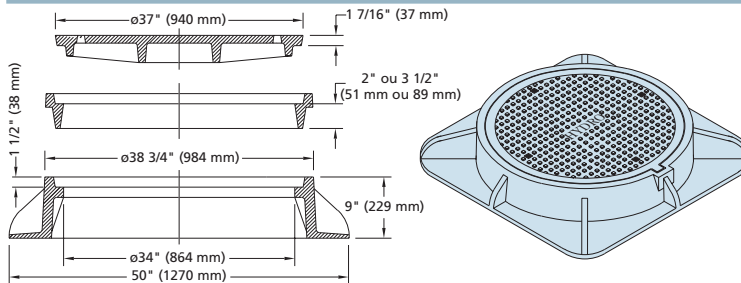
IMPORTANT: The model numbers refer to the frames. Each piece is sold separately.

C-39A / C-39B



	MATERIAL	LBS	KG
FRAME C-39A	GREY IRON	480	218
FRAME C-39B	GREY IRON	315	143
COVER C-39	GREY IRON	330	150
RISER 2 \leq (51 mm)	GREY IRON	98	45

C-40



	MATERIAL	LBS	KG
FRAME	GREY IRON	710	324
COVER	GREY IRON	395	180
RISER 2 \leq (51 mm)	GREY IRON	170	77
RISER 3 1/2 \leq (89 mm)	GREY IRON	185	84

(APPROX.)

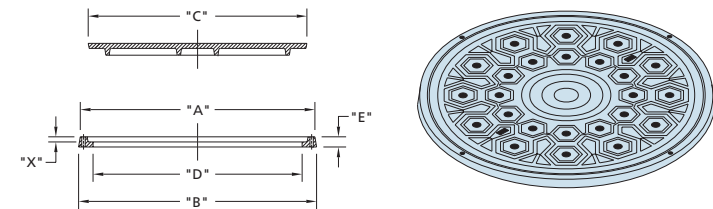


www.bibby-ste-croix.com

FRAMES AND COVERS

IMPORTANT: The model numbers refer to the frames. Each piece is sold separately.

C-41 / C-42



CODE	DIMENSIONS (in.)					
	A	B	C	D	E	X
C-41	ϕ 34 1/2	ϕ 35	ϕ 32 1/4	ϕ 30 3/4	1 1/2	3/4
C-42	ϕ 31 1/2	ϕ 32	ϕ 29 1/4	ϕ 27 3/4	1 1/2	3/4

CODE	DIMENSIONS (mm)					
	A	B	C	D	E	X
C-41	ϕ 876	ϕ 889	ϕ 819	ϕ 781	38	19
C-42	ϕ 800	ϕ 813	ϕ 743	ϕ 705	38	19

	MATERIAL	LBS	KG
FRAME C-41	GREY IRON	67	30
FRAME C-42	GREY IRON	60	27
COVER C-41	GREY IRON	173	79
COVER C-42	GREY IRON	140	64

(APPROX.)

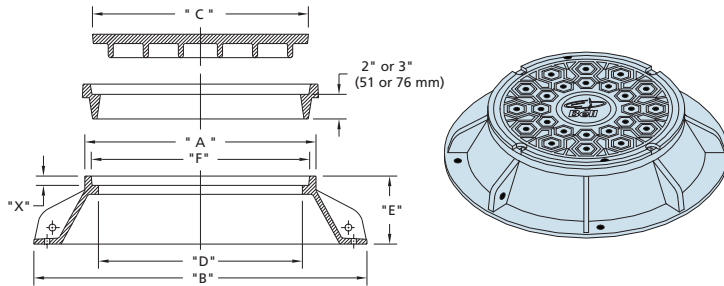


www.bibby-ste-croix.com

FRAMES AND COVERS

IMPORTANT: The model numbers refer to the frames. Each piece is sold separately.

C-43 / C-43A / C-43B / C-44 / C-44A



Available bolted
Cover available with lift pocket

Nos.	DIMENSIONS (in.)						
	A	B	C	D	E	F	X
C-43	ø34	ø49	ø31 15/16	ø30	10	ø32	1 3/8
C-43A	ø34	ø49	ø31 15/16	ø30	5 5/8	ø32	1 3/8
C-43B	ø34	ø49	ø31 15/16	ø30	10	ø32	1 3/8
C-44	ø30 3/4	ø46	ø28 15/16	ø27	10	ø28 3/4	1 3/8
C-44A	ø31	ø46	ø28 15/16	ø27	5 5/8	ø29	1 3/8

Nos.	DIMENSIONS (mm)						
	A	B	C	D	E	F	X
C-43	ø864	ø1245	ø811	ø762	254	ø813	35
C-43A	ø864	ø1245	ø811	ø762	143	ø813	35
C-43B	ø864	ø1245	ø811	ø762	254	ø813	35
C-44	ø781	ø1168	ø735	ø686	254	ø730	35
C-44A	ø787	ø1168	ø735	ø686	143	ø736	35

(APPROX.)



www.bibby-ste-croix.com

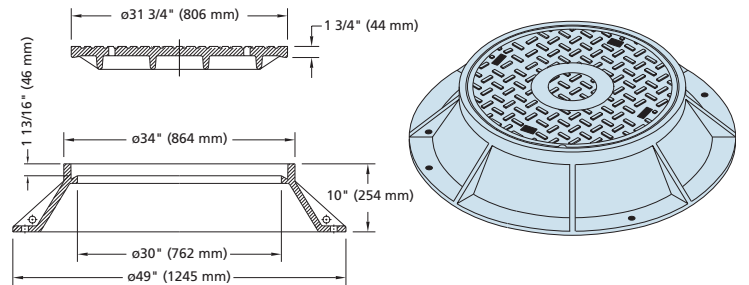
FRAMES AND COVERS

IMPORTANT: The model numbers refer to the frames. Each piece is sold separately.

C-43 / C-43A / C-43B / C-44 / C-44A (CONT.)

	MATERIAL	LBS	KG
FRAME C-43 BELL #038085	GREY IRON	435	198
FRAME C-43A BELL #038088NM	GREY IRON	390	177
FRAME C-43B HQ #1007699	GREY IRON	435	198
FRAME C-44 BELL #038084NM	GREY IRON	385	175
FRAME C-44A BELL #038087	GREY IRON	305	139
COVER C-43 #036168NM	GREY IRON	323	147
COVER C-44 #036169NM	GREY IRON	243	111
RISER C-43 2≤ (51 mm) #726334NM	GREY IRON	97	44
RISER C-43 3≤ (76 mm) #303901NM	GREY IRON	150	68
RISER C-44 2≤ (51 mm) #044145NM	GREY IRON	90	41
RISER C-44 3≤ (76 mm) #044046NM	GREY IRON	140	64

C-43C



	MATERIAL	LBS	KG
FRAME #CDSE 253	GREY IRON	435	198
COVER C-17 #CDSE 253	GREY & DUCTILE IRON	270	123
COVER C-18 #CDSE 252	GREY & DUCTILE IRON	354	161

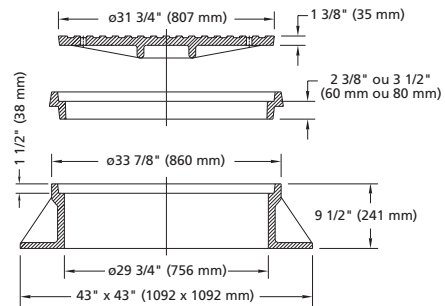
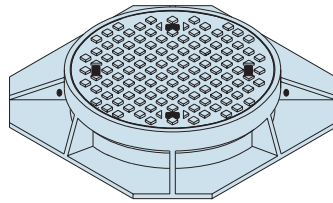
(APPROX.)

www.bibby-ste-croix.com



IMPORTANT: The model numbers refer to the frames. Each piece is sold separately.

C-45

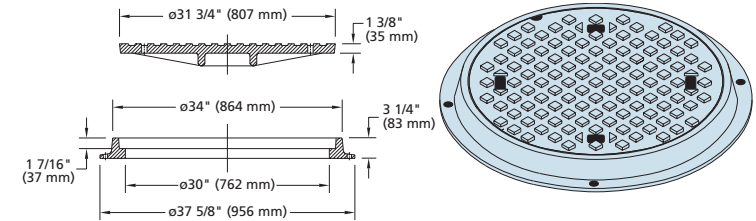


	MATERIAL	LBS	KG
FRAME #HQ10007669	GREY IRON	586	266
COVER #HQ1007664	GREY IRON	290	132
RISER 2 3/8 \leq (60 mm) #HQ1007252	GREY IRON	135	61
RISER 3 1/2 \leq (89 mm) #HQ1007684	GREY IRON	175	80

(APPROX.)

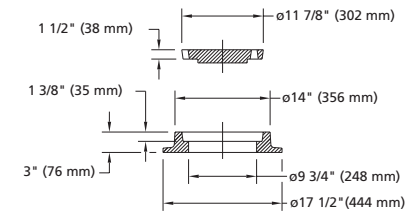
IMPORTANT: The model numbers refer to the frames. Each piece is sold separately.

C-45A



	MATERIAL	LBS	KG
FRAME #HQ10007689	GREY IRON	180	82
COVER C-45 #HQ1007664	GREY IRON	290	132

C-45V

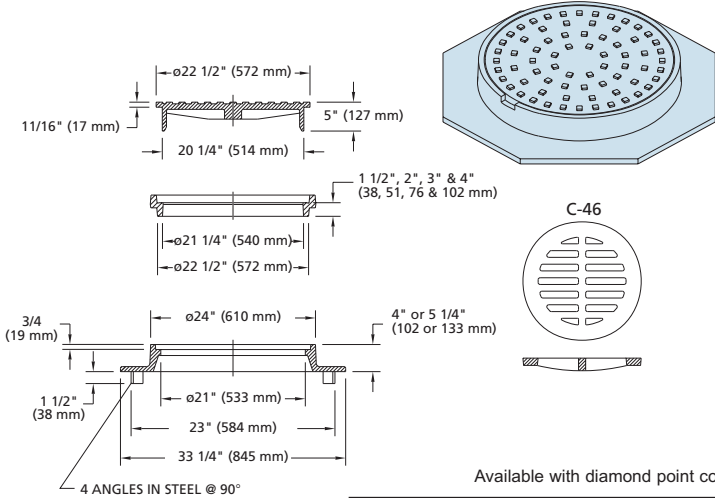


	MATERIAL	LBS	KG
FRAME	GREY IRON	70	32
COVER	GREY IRON	40	18

(APPROX.)

IMPORTANT: The model numbers refer to the frames. Each piece is sold separately.

C-46



Available with diamond point cover

	SURFACE OPENING	
	inch ²	cm ²
GRATE C-46	81	521

	MATERIAL	LBS	KG
SQUARE FRAME 4≤ (102 mm)	GREY IRON	200	91
SQUARE FRAME 6≤ (152 mm)	GREY IRON	215	98
OCTO. FRAME 4≤ (102 mm)	GREY IRON	170	77
OCTO. FRAME 5 1/4≤ (133 mm)	GREY IRON	160	73
COVER	GREY & DUCTILE IRON	120	55
GRATE	GREY & DUCTILE IRON	120	55
RISER 1 1/2≤ (38 mm)	GREY IRON	34	15
RISER 2≤ (51 mm)	GREY IRON	44	20
RISER 3≤ (76 mm)	GREY IRON	68	31
RISER 4≤ (102 mm)	GREY IRON	92	42

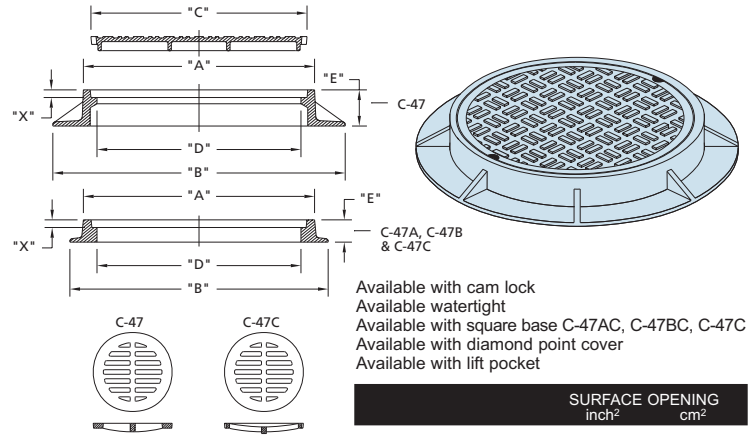
(APPROX.)



www.bibby-ste-croix.com

IMPORTANT: The model numbers refer to the frames. Each piece is sold separately.

C-47 / C-47A / C-47AC / C-47B / C-47BC / C-47C



Available with cam lock
Available watertight
Available with square base C-47AC, C-47BC, C-47C
Available with diamond point cover
Available with lift pocket

	SURFACE OPENING	
	inch ²	cm ²
GRATE C-47	153	986
GRATE C-47C	153	986

Nos.	DIMENSIONS (in.)					
	A	B	C	D	E	X
C-47	ø33 3/8	ø42 3/4	ø31 3/4	ø30	6 1/2	1 1/2
C-47A, C-47AC	ø33 3/8	42 3/4	ø31 3/4	ø30	8	1 1/2
C-47B, C-47BC	ø34	38	ø31 3/4	ø30	4	1 1/2
C-47C	ø34	38	ø31 3/4	ø30	6 1/2	1 1/2

Nos.	DIMENSIONS (mm)					
	A	B	C	D	E	X
C-47	ø848	ø1086	ø813	ø762	165	38
C-47A, C-47AC	ø848	1086	ø813	ø762	203	38
C-47B, C-47BC	ø864	965	ø813	ø762	102	38
C-47C	ø864	965	ø813	ø762	165	38

(APPROX.)



www.bibby-ste-croix.com

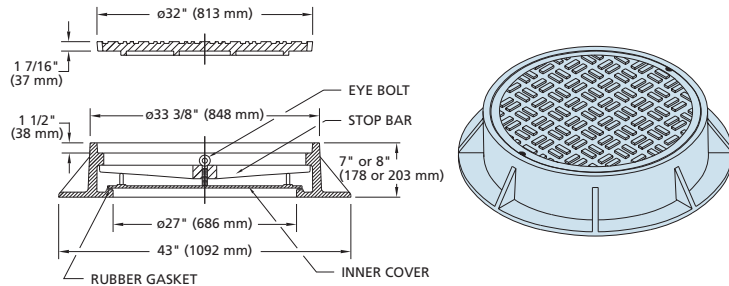
FRAMES AND COVERS

IMPORTANT: The model numbers refer to the frames. Each piece is sold separately.

C-47 / C-47A / C-47AC / C-47B / C-47BC / C-47C (CONT.)

	MATERIAL	LBS	KG
FRAME C-47 6 1/2" (165 mm)	GREY IRON	285	130
COVER C-47	GREY IRON	250	114
GRATE C-47	GREY IRON	230	105
FRAME C-47A 8" (203 mm)	GREY IRON	290	132
FRAME C-47AC 8" (203 mm)	GREY IRON	365	166
FRAME C-47B 4" (102 mm)	GREY IRON	200	91
FRAME C-47BC 4" (102 mm)	GREY IRON	295	134
FRAME C-47C CARRÉ 6 1/2" (165 mm)	GREY IRON	330	150

C-47WS / C-47AWS / C-47CWS



	MATERIAL	LBS	KG
ROUND FRAME 7" (178 mm)	GREY IRON	327	149
ROUND FRAME C-47AWS 8" (203 mm)	GREY IRON	415	189
SQUARE FRAME C-47CWS 7" (178 mm)	GREY IRON	450	205
COVER C-47	GREY IRON	250	114
INNER COVER	GREY IRON	80	36

(APPROX.)

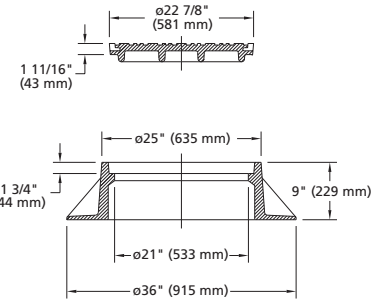
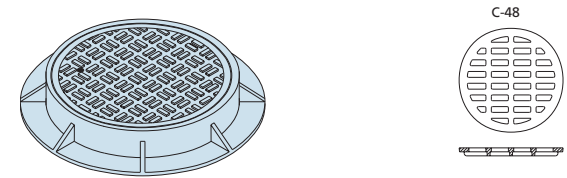


www.bibby-ste-croix.com

FRAMES AND COVERS

IMPORTANT: The model numbers refer to the frames. Each piece is sold separately.

C-48



Available bolted
Available with square base

GRATE C-48	SURFACE OPENING	
	inch ²	cm ²
	66	426

	MATERIAL	LBS	KG
FRAME	GREY IRON	285	130
SQUARE FRAME C-48C	GREY IRON	330	150
COVER	GREY IRON	155	70
GRATE C-48	GREY IRON	145	66

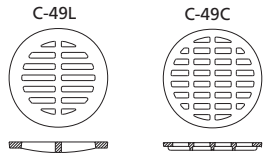
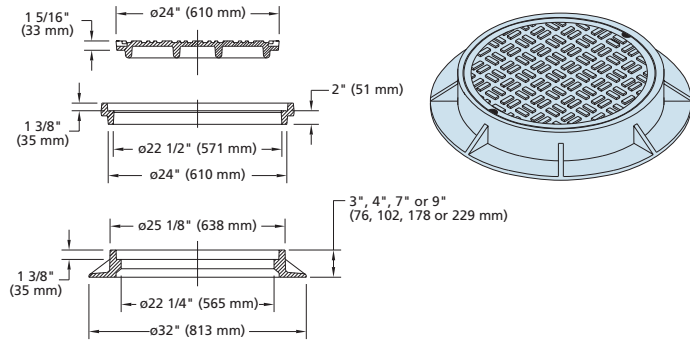
(APPROX.)



www.bibby-ste-croix.com

IMPORTANT: The model numbers refer to the frames. Each piece is sold separately.

C-49



Available with square base

	SURFACE OPENING	
	inch ²	cm ²
GRATE C-49C	136	879
GRATE C-49L	94	606

	MATERIAL	LBS	KG
FRAME C-49 3≤ (76 mm)	GREY IRON	100	45
FRAME C-49 4≤ (102 mm)	GREY IRON	155	70
FRAME C-49 7≤ (178 mm)	GREY IRON	165	75
FRAME C-49 9≤ (229 mm)	GREY IRON	185	84
COVER C-49	GREY IRON	130	59
SQUARE FRAME C-49C 3≤ (76 mm)	GREY IRON	135	61
SQUARE FRAME C-49C 7≤ (178 mm)	GREY IRON	235	107
GRATE C-49C	GREY IRON	140	64
GRATE C-49L	GREY IRON	105	48
RISER 2≤ (51 mm)	GREY IRON	60	27

(APPROX.)

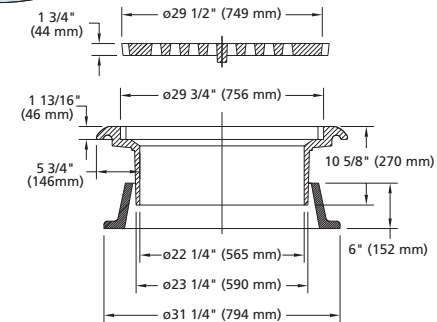
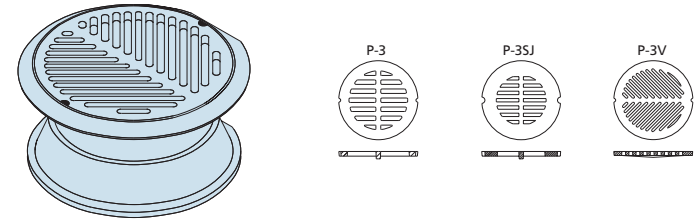


www.bibby-ste-croix.com

IMPORTANT: The model numbers refer to the frames. Each piece is sold separately.

C-50P / AUTOSTABLE

IMPORTANT: When in use the autostable frame should not rest on the guide frame, a 2" (51 mm) minimum space should be respected.



	SURFACE OPENING	
	inch ²	cm ²
GRATE P-3	171	1,103
GRATE P-3SJ	130	830
GRATE P-3V	248	1,603

Available bolted

	MATERIAL	LBS	KG
GUIDE FRAME CONE SHAPE CG-29.5C	GREY IRON	108	49
FRAME C-50P	DUCTILE IRON	180	82
GRATE P-3	GREY & DUCTILE IRON	167	76
GRATE P-3V	GREY & DUCTILE IRON	185	84
GRATE P-3SJ	GREY IRON	250	114

(APPROX.)



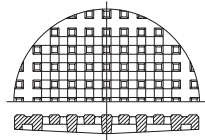
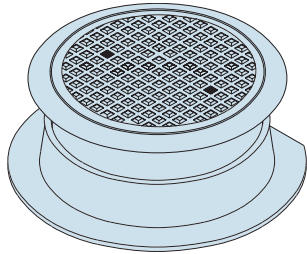
www.bibby-ste-croix.com

FRAMES AND COVERS

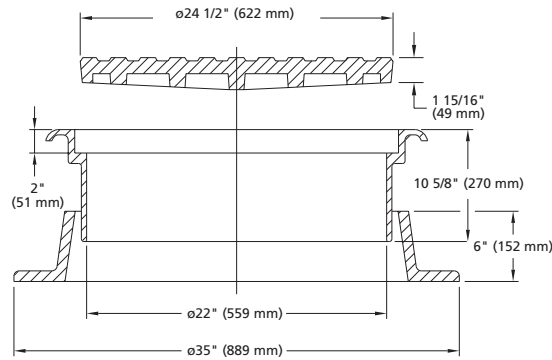
IMPORTANT: The model numbers refer to the frames. Each piece is sold separately.

C-50M-ONT / AUTOSTABLE

IMPORTANT: When in use the autostable frame should not rest on the guide frame, a 2" (51 mm) minimum space should be respected.



PERFORATED COVER JW150



	MATERIAL	LBS	KG
GUIDE FRAME CONE SHAPE CG-25ONT	GREY IRON	140	64
FRAME	DUCTILE IRON	132	60
COVER JW-150	GREY IRON	165	75
PERF. COVER JW-150	GREY IRON	142	65

(APPROX.)



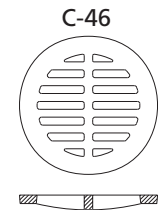
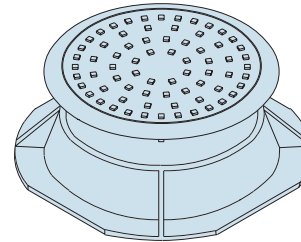
www.bibby-ste-croix.com

FRAMES AND COVERS

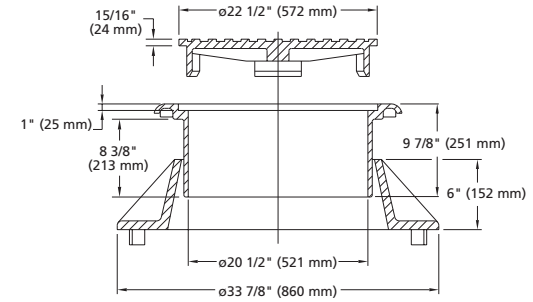
IMPORTANT: The model numbers refer to the frames. Each piece is sold separately.

C-50M1 CONE SHAPED FRAME / AUTOSTABLE

IMPORTANT: When in use the autostable frame should not rest on the guide frame, a 2" (51 mm) minimum space should be respected.



C-46



	SURFACE OPENING	
	inch ²	cm ²
GRATE C-46	81	521

	MATERIAL	LBS	KG
GUIDE FRAME CONE SHAPE	GREY IRON	100	45
FRAME	DUCTILE IRON	103	47
COVER C-46	GREY IRON/DUCTILE	120	55
GRATE C-46	GREY IRON/DUCTILE	120	55

(APPROX.)

www.bibby-ste-croix.com

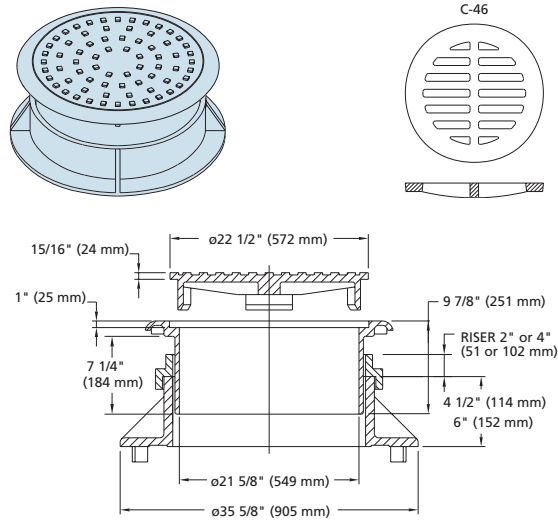


IMPORTANT: The model numbers refer to the frames. Each piece is sold separately.

C-50M1 STRAIGHT

AUTOSTABLE

IMPORTANT: When in use the autostable frame should not rest on the guide frame, a 2" (51 mm) minimum space should be respected.



GRATE C-46	SURFACE OPENING	
	inch ²	cm ²
	81	521

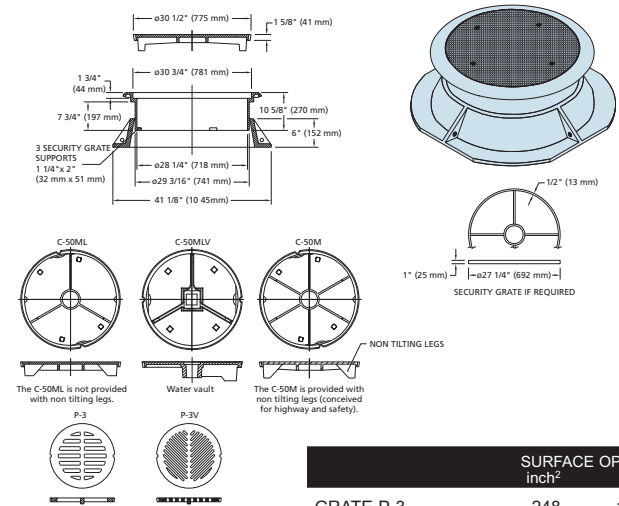
	MATERIAL	LBS	KG
GUIDE FRAME CONE SHAPE CG-22.5 4 1/2 \leq (114 mm)	GREY IRON	167	76
GUIDE FRAME CONE SHAPE CG-22.5 6 \leq (152 mm)	GREY IRON	140	64
FRAME	DUCTILE IRON	103	47
COVER C-46	GREY IRON/DUCTILE	120	55
GRATE C-46	GREY IRON/DUCTILE	120	55
RISER 2 \leq (51 mm)	GREY IRON	35	16
RISER 4 \leq (102 mm)	GREY IRON	75	34

(APPROX.)

IMPORTANT: The model numbers refer to the frames. Each piece is sold separately.

C-50MS / AUTOSTABLE

IMPORTANT: When in use the autostable frame should not rest on the guide frame, a 2" (51 mm) minimum space should be respected.



Frame seat machined 1 13/16 \leq (46 mm) to accept C-4 and C-4V cover only.

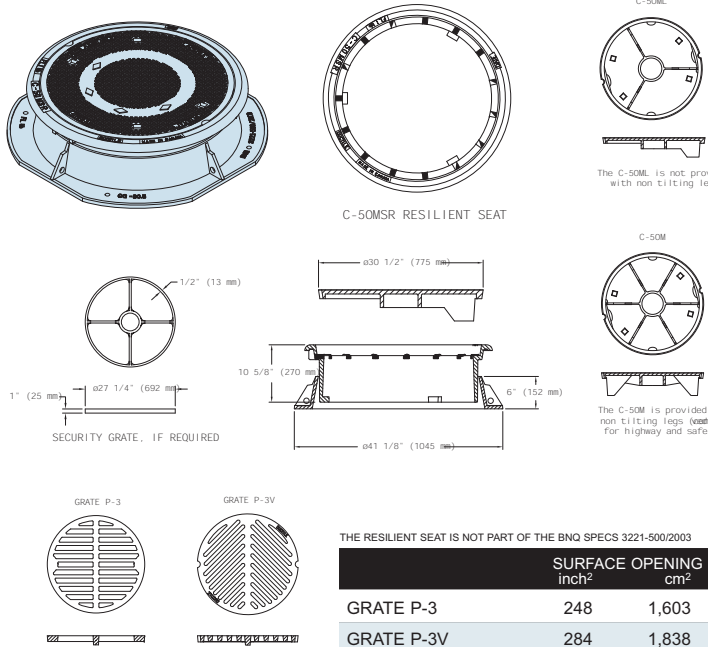
GRATE P-3	SURFACE OPENING	
	inch ²	cm ²
	248	1,603
GRATE P-3V	284	1,838

	MATERIAL	LBS	KG
GUIDE FRAME CONE SHAPE CG-30.5C	GREY IRON	155	70
FRAME C-50MS	DUCTILE IRON	225	102
COVER C-50M	DUCTILE IRON	176	80
COVER C-50ML	DUCTILE IRON	140	64
COVER C-50MLV AQUEDUC	DUCTILE IRON	180	82
COVER C-6	GREY IRON/DUCTILE	270	123
GRATE P-3 30 1/2 \leq (775 mm)	GREY IRON/DUCTILE	200	91
GRATE P-3V 30 1/2 \leq (775 mm)	GREY IRON/DUCTILE	200	91
SECURITY GRATE GS-4	STEEL	20	9

(APPROX.)

IMPORTANT: The model numbers refer to the frames. Each piece is sold separately.

C-50MSR / AUTOSTABLE



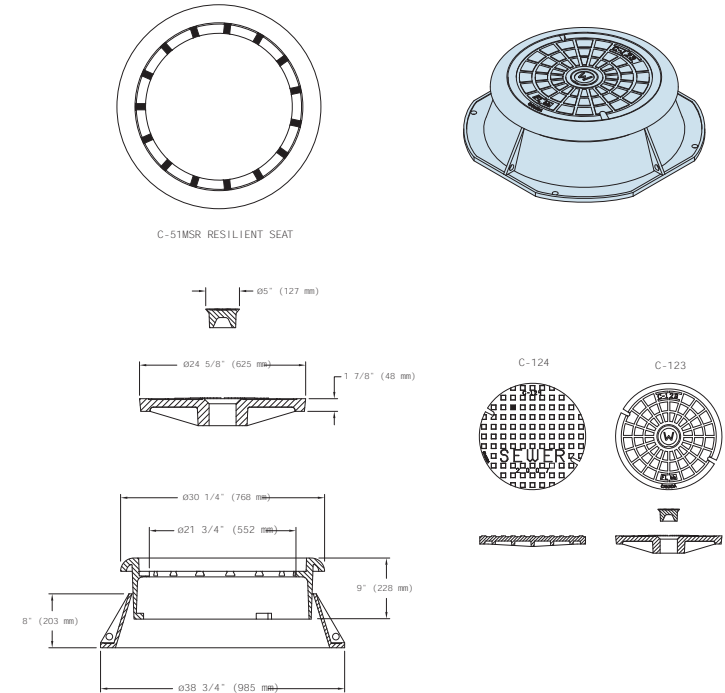
THE RESILIENT SEAT IS NOT PART OF THE BNQ SPECS 3221-500/2003		
	SURFACE OPENING	
	inch ²	cm ²
GRATE P-3	248	1,603
GRATE P-3V	284	1,838

	MATERIAL	LBS	KG
GUIDE FRAME CONE SHAPE CG-30.5C	GREY IRON	155	70
FRAME C-50MSR RESILIENT SEAT	DUCTILE IRON	175	80
COVER C-50ML	DUCTILE IRON	140	64
COVER C-50M	DUCTILE IRON	176	80
GRATE P-3 30 1/2" (775 mm)	GREY IRON/DUCTILE	180	82
GRATE P-3V 30 1/2" (775 mm)	GREY IRON/DUCTILE	200	91
SECURITY GRATE GS-4	STEEL	20	9

(APPROX.)

IMPORTANT: The model numbers refer to the frames. Each piece is sold separately.

C-51MSR / AUTOSTABLE



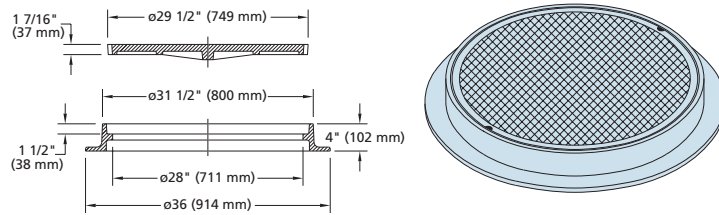
	MATERIAL	LBS	KG
GUIDE FRAME CONE SHAPE CG-51MC	GREY IRON	166	75
FRAME C-51MSR RESILIENT SEAT	DUCTILE IRON	183	83
COVER C-123 WITH PLUG	GREY IRON	190	86
PLUG #12WV	GREY IRON	8	4
COVER C-124	GREY IRON	165	75

(APPROX.)

FRAMES AND COVERS

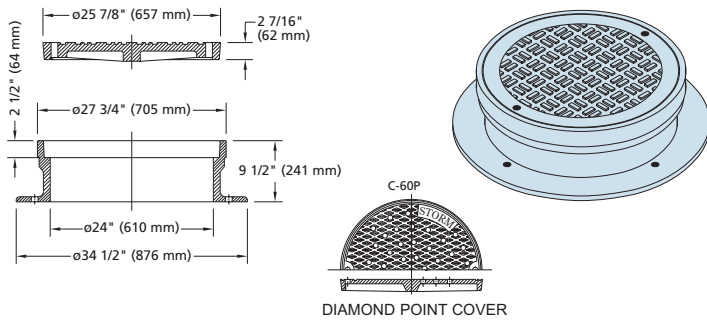
IMPORTANT: The model numbers refer to the frames. Each piece is sold separately.

C-52



	MATERIAL	LBS	KG
FRAME	GREY IRON	145	66
COVER	GREY IRON	195	89

C-60



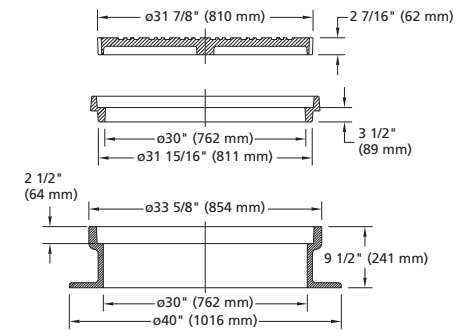
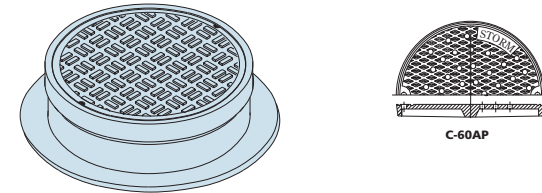
	MATERIAL	LBS	KG
FRAME	GREY IRON	240	109
COVER	GREY IRON	180	82
PERFORATED COVER C-60P	GREY IRON	180	82

(APPROX.)

FRAMES AND COVERS

IMPORTANT: The model numbers refer to the frames. Each piece is sold separately.

C-60A

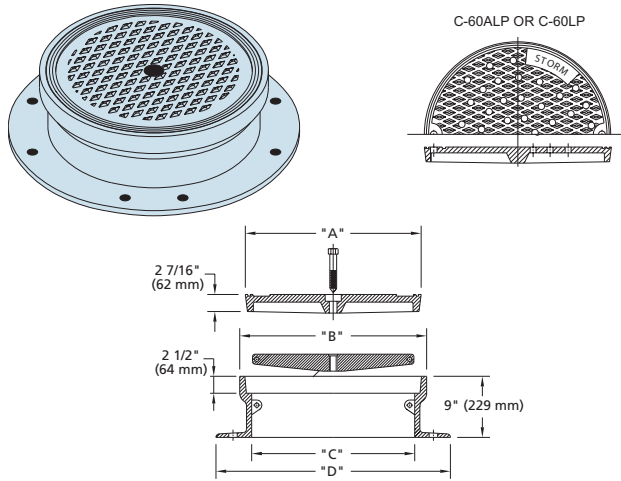


	MATERIAL	LBS	KG
FRAME	GREY IRON	290	132
COVER	GREY IRON	288	131
PERFORATED COVER C-60AP	GREY IRON	285	130
RISER 3 1/2" (89 mm)	GREY IRON	130	59

(APPROX.)

IMPORTANT: The model numbers refer to the frames. Each piece is sold separately.

C-60AL / C-60L



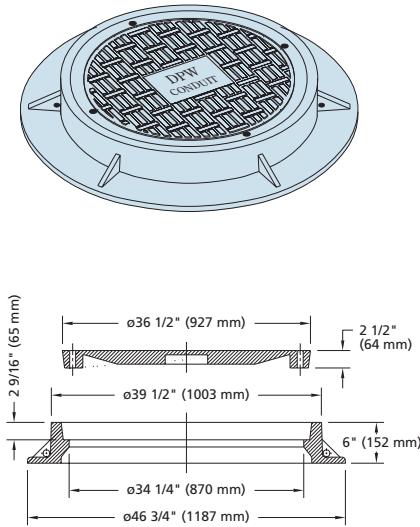
CODE	DIMENSIONS (in.)				DIMENSIONS (mm)			
	A	B	C	D	A	B	C	D
C60L	ø25 7/8	ø27 3/4	ø24	ø34	ø657	ø705	ø610	ø864
C60AL	ø31 7/8	ø34 1/4	ø30	ø40	ø810	ø870	ø762	ø1,016

	MATERIAL	LBS	KG
FRAME C-60AL	GREY IRON	290	132
FRAME C-60L	GREY IRON	240	109
COVER C-60AL	GREY IRON	285	130
LOCK C-60AL	GREY IRON	20	9
COVER C-60ALP	GREY IRON	285	130
COVER C-60L	GREY IRON	180	82
LOCK C-60L	GREY IRON	18	8
COVER C-60LP	GREY IRON	180	82

(APPROX.)

IMPORTANT: The model numbers refer to the frames. Each piece is sold separately.

C-60B



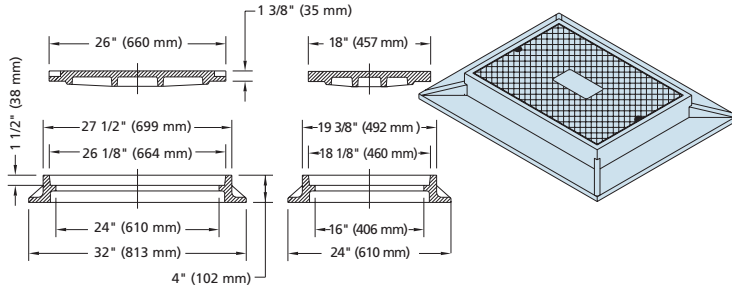
	MATERIAL	LBS	KG
FRAME	GREY IRON	400	182
COVER	GREY IRON	310	141

(APPROX.)

FRAMES AND COVERS

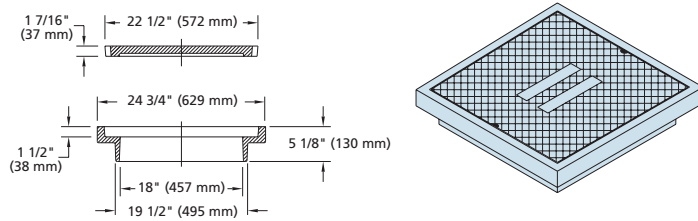
IMPORTANT: The model numbers refer to the frames. Each piece is sold separately.

C-61



	MATERIAL	LBS	KG
FRAME	GREY IRON	131	60
COVER	GREY IRON	121	55

C-61A



	MATERIAL	LBS	KG
FRAME	GREY IRON	130	59
COVER	GREY IRON	135	61

(APPROX.)

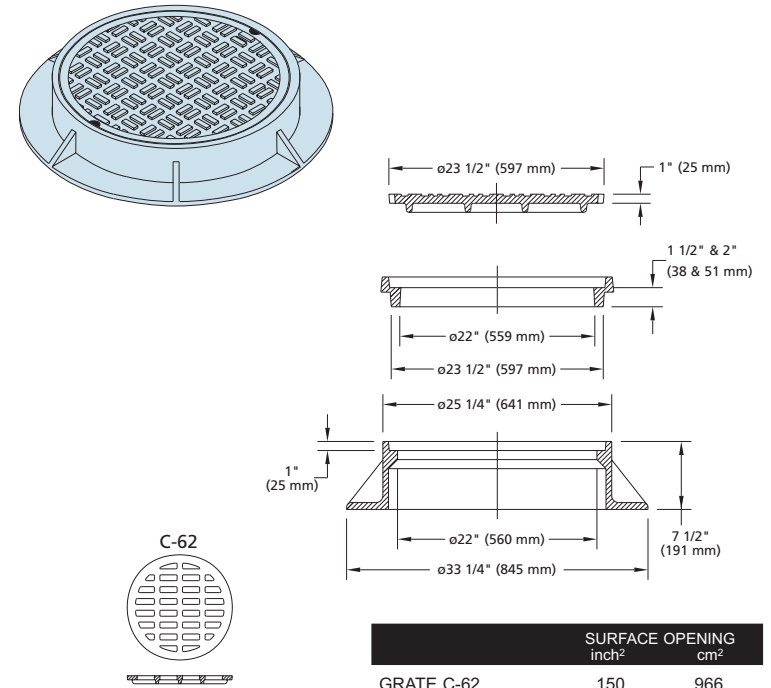


www.bibby-ste-croix.com

FRAMES AND COVERS

IMPORTANT: The model numbers refer to the frames. Each piece is sold separately.

C-62



	SURFACE OPENING	
	inch ²	cm ²
GRATE C-62	150	966

	MATERIAL	LBS	KG
FRAME	GREY IRON	185	84
COVER	GREY IRON	140	64
GRATE C-62	GREY IRON	105	48
RISER 1 1/2" (38 mm)	GREY IRON	50	23
RISER 2" (51 mm)	GREY IRON	60	27

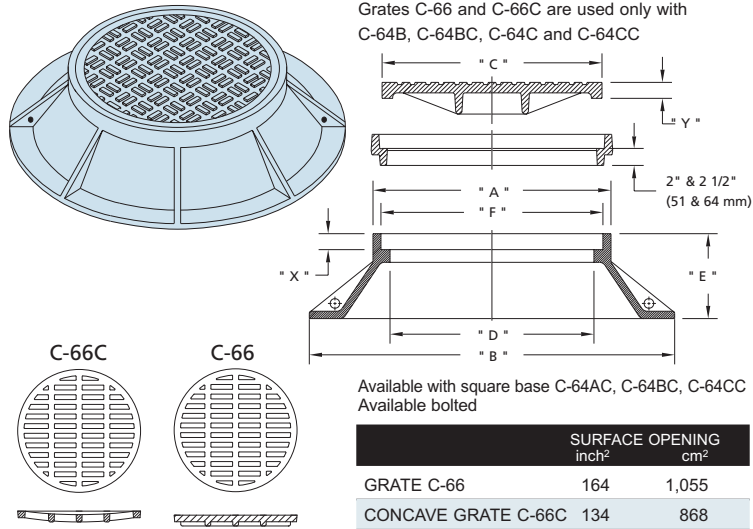
(APPROX.)

www.bibby-ste-croix.com



IMPORTANT: The model numbers refer to the frames. Each piece is sold separately.

C-64A / C-64AC / C-64B / C-64BC / C-64C / C-64CC



Nos.	DIMENSIONS (in.)							
	A	B	C	D	E	F	X	Y
C-64A/ C-64AC	ø27 3/4	39	ø25 3/8	ø24	8	ø25 3/8	2	1 15/16
C-64B/ C-64BC	ø27 3/4	39	ø25 3/4	ø24	8	ø25 3/4	1 3/8	1 5/16
C-64C/ C-64CC	ø28	43	ø25 3/4	ø24	10	ø25 3/4	1 3/8	1 5/16

Nos.	DIMENSIONS (mm)							
	A	B	C	D	E	F	X	Y
C-64A/ C-64AC	ø705	991	ø645	ø610	203	ø645	50	49
C-64B/ C-64BC	ø705	991	ø654	ø610	203	ø654	35	33
C-64C/ C-64CC	ø711	1092	ø654	ø610	254	ø654	35	33

(APPROX.)



www.bibby-ste-croix.com

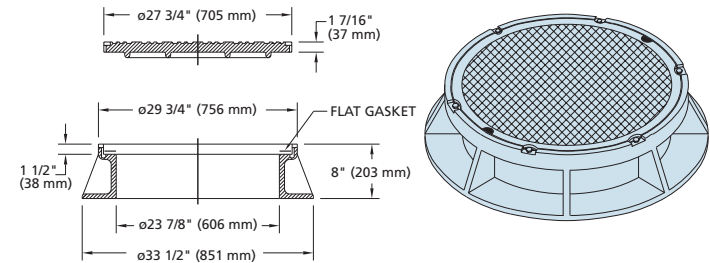
IMPORTANT: The model numbers refer to the frames. Each piece is sold separately.

C-64A / C-64AC / C-64B / C-64BC / C-64C / C-64CC (CONT.)

	MATERIAL	LBS	KG
FRAME C-64A	GREY IRON	260	118
SQUARE FRAME C-64AC	GREY IRON	395	180
FRAME C-64B	GREY IRON	245	111
SQUARE FRAME C-64BC	GREY IRON	310	141
FRAME C-64C	GREY IRON	345	157
SQUARE FRAME C-64CC	GREY IRON	430	195
COVER C-64A	GREY IRON	155	70
COVER C-66	GREY IRON	155	70
GRATE C-66	GREY IRON	150	68
GRATE C-66C	GREY IRON	143	65
RISER C-64B 2 1/2 ≤ (64 mm)	GREY IRON	60	27
RISER C-64B 2 1/2 ≤ (64 mm)	GREY IRON	65	30
RISER C-64A 2 1/2 ≤ (64 mm)	GREY IRON	70	32

C-65

BOLTED



	MATERIAL	LBS	KG
FRAME	GREY IRON	230	105
COVER	GREY IRON	205	93

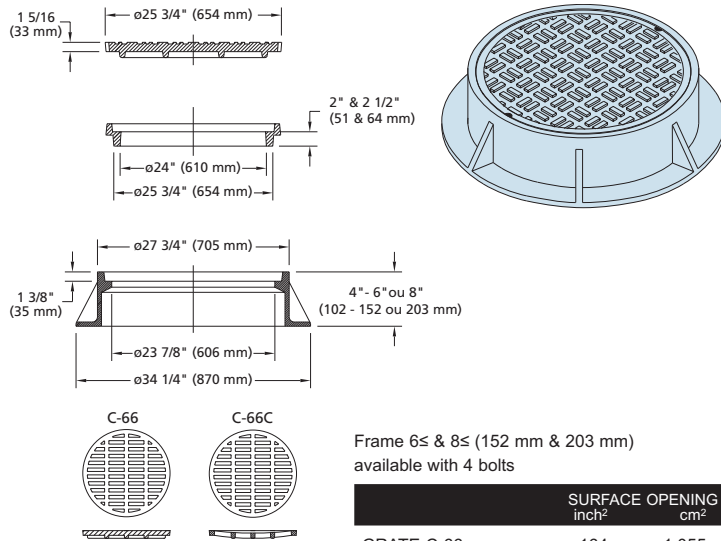
(APPROX.)



www.bibby-ste-croix.com

IMPORTANT: The model numbers refer to the frames. Each piece is sold separately.

C-66



Frame 6 \leq & 8 \leq (152 mm & 203 mm) available with 4 bolts

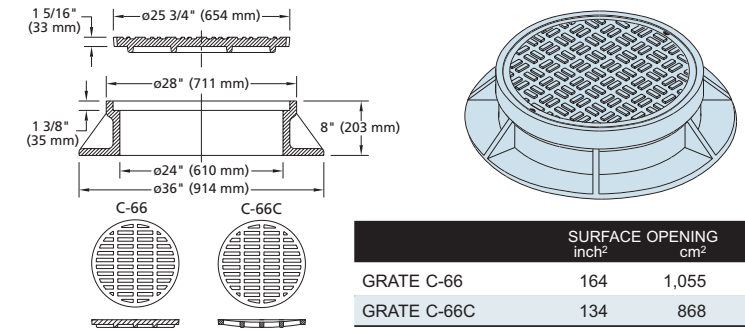
	SURFACE OPENING	
	inch ²	cm ²
GRATE C-66	164	1,055
GRATE C-66C	134	868

	MATERIAL	LBS	KG
FRAME 4 \leq (102 mm)	GREY IRON	145	66
FRAME 6 \leq (152 mm)	GREY IRON	162	74
FRAME 8 \leq (203 mm)	GREY IRON	175	80
SQUARE FRAME C-66C 8 \leq (203 mm)	GREY IRON	265	120
COVER	GREY IRON	155	70
GRATE C-66	GREY IRON	150	68
GRATE C-66C	GREY IRON	143	65
RISER 2 \leq (51 mm)	GREY IRON	60	27
RISER 2 1/2 \leq (64 mm)	GREY IRON	65	30

(APPROX.)

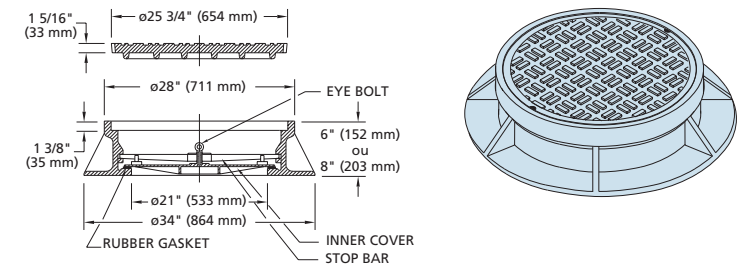
IMPORTANT: The model numbers refer to the frames. Each piece is sold separately.

C-66B



	MATERIAL	LBS	KG
FRAME	GREY IRON	360	164
COVER C-66	GREY IRON	155	70
GRATE C-66	GREY IRON	150	68
GRATE C-66C	GREY IRON	143	65

C-66BW



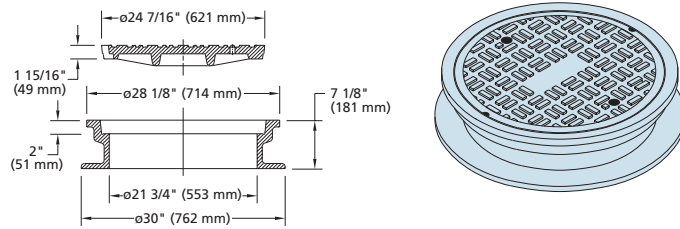
	MATERIAL	LBS	KG
FRAME	GREY IRON	375	170
COVER C-66	GREY IRON	155	70
INNER COVER	GREY IRON	80	37

(APPROX.)

FRAMES AND COVERS

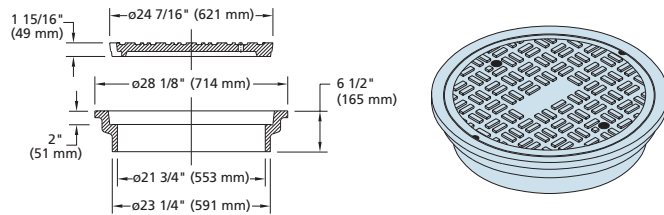
IMPORTANT: The model numbers refer to the frames. Each piece is sold separately.

C-67



	MATERIAL	LBS	KG
FRAME	GREY IRON	205	93
COVER	GREY IRON	190	86

C-67A



	MATERIAL	LBS	KG
FRAME	GREY IRON	130	59
COVER	GREY IRON	170	77

(APPROX.)

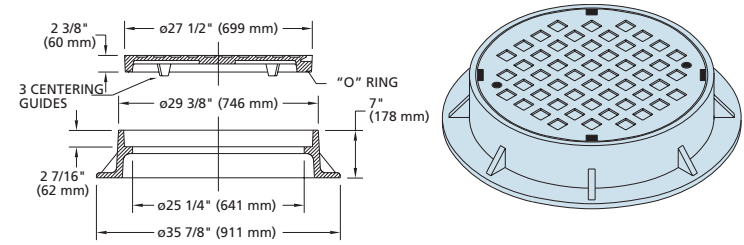


www.bibby-ste-croix.com

FRAMES AND COVERS

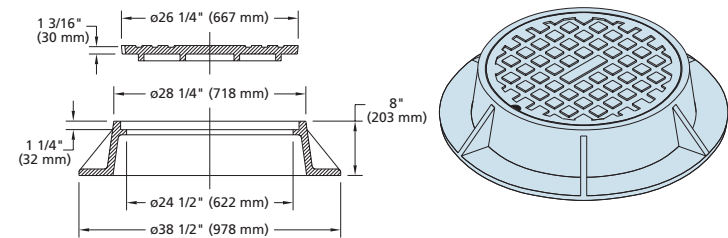
IMPORTANT: The model numbers refer to the frames. Each piece is sold separately.

C-68



	MATERIAL	LBS	KG
FRAME	GREY IRON	220	100
COVER	GREY IRON	150	68

C-69



	MATERIAL	LBS	KG
FRAME	GREY IRON	350	159
COVER	GREY IRON	200	91

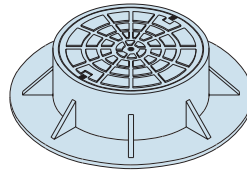
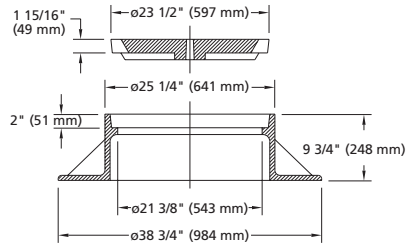
(APPROX.)

www.bibby-ste-croix.com



IMPORTANT: The model numbers refer to the frames. Each piece is sold separately.

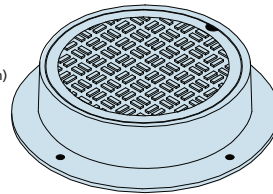
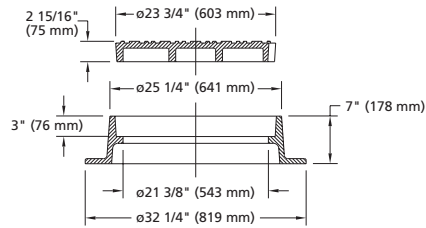
C-71



Available airproof

	MATERIAL	LBS	KG
FRAME	GREY IRON	345	157
COVER	GREY IRON	170	77

C-73



	MATERIAL	LBS	KG
FRAME	GREY IRON	178	81
COVER	GREY IRON	142	65

(APPROX.)

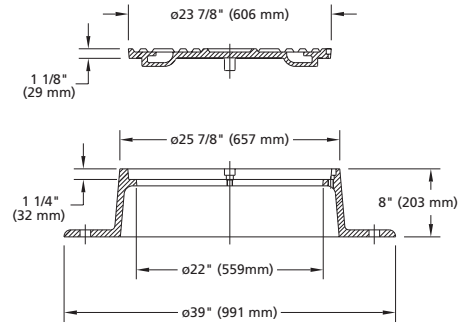
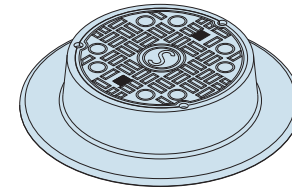


www.bibby-ste-croix.com

IMPORTANT: The model numbers refer to the frames. Each piece is sold separately.

C-74

BOLTED



	MATERIAL	LBS	KG
FRAME	GREY IRON	250	114
COVER	GREY IRON	115	52

(APPROX.)

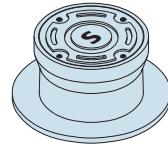
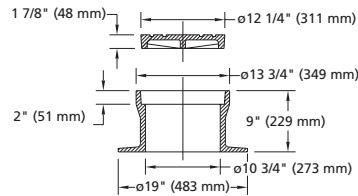
www.bibby-ste-croix.com



FRAMES AND COVERS

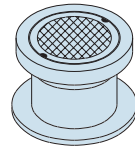
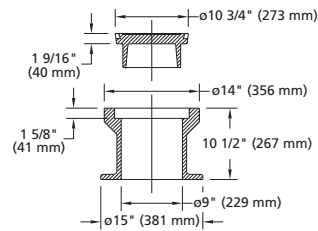
IMPORTANT: The model numbers refer to the frames. Each piece is sold separately.

C-75



	MATERIAL	LBS	KG
FRAME	GREY IRON	120	55
COVER	GREY IRON	35	16

C-75B



	MATERIAL	LBS	KG
FRAME	GREY IRON	118	54
COVER	GREY IRON	32	15
FRAME WITHOUT FLANGE	GREY IRON	80	37

(APPROX.)

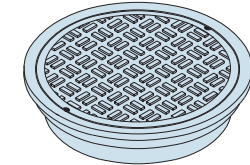
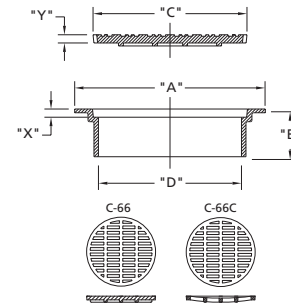


www.bibby-ste-croix.com

FRAMES AND COVERS

IMPORTANT: The model numbers refer to the frames. Each piece is sold separately.

C-76A / C-76B / C76-C



Available airproof 1

	SURFACE OPENING	
	inch ²	cm ²
GRATE C-66	164	1,055
GRATE C-66C	134	868

CODE	DIMENSIONS (in.)					
	A	C	D	E	X	Y
C-76A	ø32	ø25 3/4	ø24	4 1/2	1 3/8	1 5/16
C-76B	ø32	ø25 3/4	ø24	6	1 3/8	1 5/16
C-76C	ø32	ø25 3/4	ø24	8	1 3/8	1 5/16

CODE	DIMENSIONS (mm)					
	A	C	D	E	X	Y
C-76A	ø813	ø654	ø610	114	35	33
C-76B	ø813	ø654	ø610	152	35	33
C-76C	ø813	ø654	ø610	203	35	33

	MATERIAL	LBS	KG
FRAME C-76A	GREY IRON	140	64
FRAME C-76B	GREY IRON	160	73
FRAME C-76C	GREY IRON	180	82
COVER C-66	GREY IRON	155	70
GRATE C-66	GREY IRON	150	68
GRATE C-66C	GREY IRON	143	65

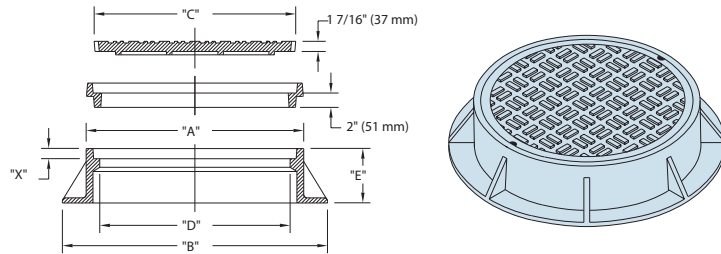
(APPROX.)

www.bibby-ste-croix.com



IMPORTANT: The model numbers refer to the frames. Each piece is sold separately.

C-77A / C-77B / C77-C



CODE	DIMENSIONS (in.)					
	A	B	C	D	E	X
C-77A	ø32	ø39	ø30	ø28	6 1/2	1 1/2
C-77B	ø32 1/8	ø41 3/4	ø30	ø27 7/8	8	1 1/2
C-77C	ø31 5/8	ø36	ø30	ø28	4	1 1/2

CODE	DIMENSIONS (mm)					
	A	B	C	D	E	X
C-77A	ø813	ø991	ø762	ø711	165	38
C-77B	ø816	ø1060	ø762	ø708	203	38
C-77C	ø803	ø914	ø762	ø711	102	38

	MATERIAL	LBS	KG
FRAME C-77A	GREY IRON	340	155
FRAME C-77B	GREY IRON	400	182
FRAME C-77C	GREY IRON	145	66
SQUARE FRAME C-77BC 8≤ (203 mm)	GREY IRON	470	214
SQUARE FRAME C-77CC 4≤ (102 mm)	GREY IRON	195	89
COVER C-77	GREY IRON	275	125
RISER 2≤ (51 mm)	GREY IRON	65	30

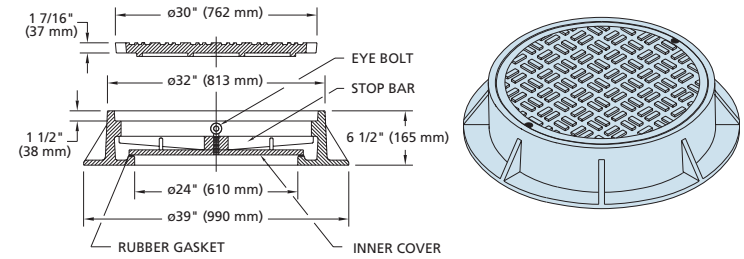
(APPROX.)



www.bibby-ste-croix.com

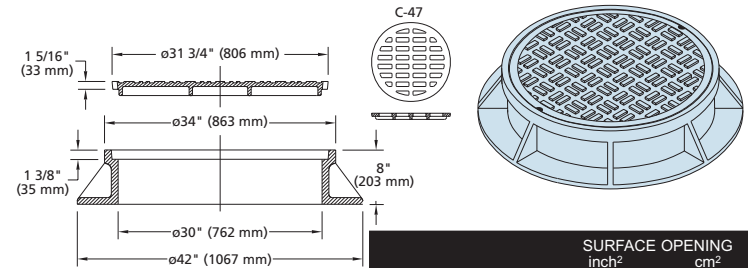
IMPORTANT: The model numbers refer to the frames. Each piece is sold separately.

C-77W



	MATERIAL	LBS	KG
FRAME	GREY IRON	245	111
COVER C-77	GREY IRON	275	125
INNER COVER	GREY IRON	105	48

C-78



	SURFACE OPENING	
	inch ²	cm ²
GRATE C-47	153	986

	MATERIAL	LBS	KG
FRAME	GREY IRON	400	182
COVER C-47	GREY IRON	250	114
GRATE C-47	GREY IRON	230	105

(APPROX.)

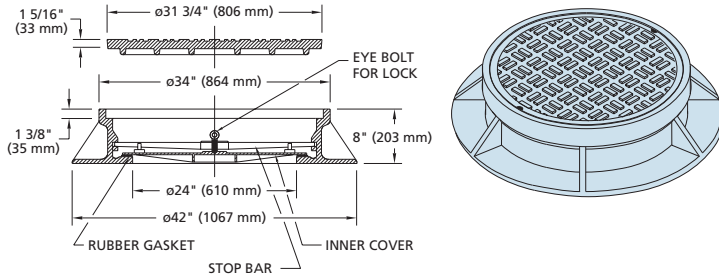


www.bibby-ste-croix.com

FRAMES AND COVERS

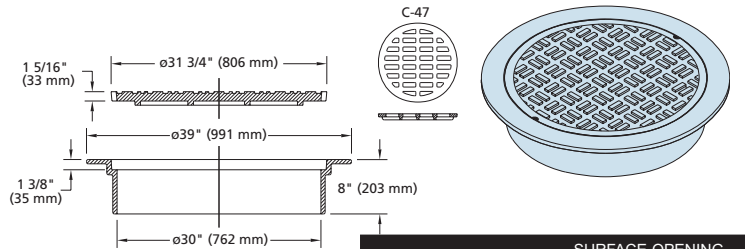
IMPORTANT: The model numbers refer to the frames. Each piece is sold separately.

C-78W



	MATERIAL	LBS	KG
FRAME	GREY IRON	410	186
COVER C-47	GREY IRON	250	114
INNER COVER	GREY IRON	110	50

C-79C



	SURFACE OPENING	
	inch ²	cm ²
GRATE C-47	153	986

	MATERIAL	LBS	KG
FRAME	GREY IRON	252	115
COVER C-47	GREY IRON	250	114
GRATE C-47	GREY IRON	230	115

(APPROX.)

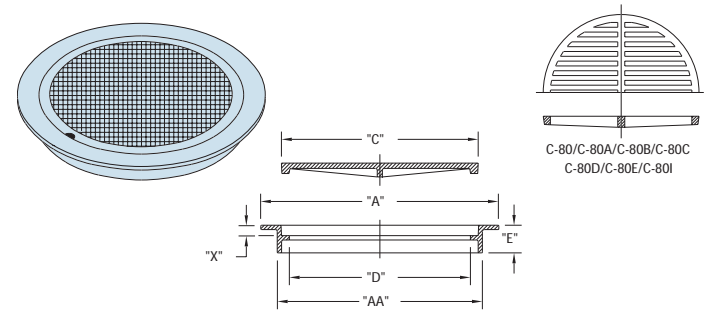


www.bibby-ste-croix.com

FRAMES AND COVERS

IMPORTANT: The model numbers refer to the frames. Each piece is sold separately.

C-80 / C80A / C80B / C80C / C80D / C80E / C80I



Nos.	DIMENSIONS (in.)						Pipe size
	A	AA	C	D	E	X	
C-80	ø15 1/4	ø11 1/2	ø10	ø8 1/2	2 3/4	1	ø12
C-80A	ø17 1/4	ø13 1/2	ø12	ø10 1/2	2 3/4	1	ø15
C-80B	ø21 1/2	ø17 1/2	ø16	ø14 1/2	2 3/4	1	ø18
C-80C	ø23 1/2	ø19 1/2	ø18	ø16 1/2	2 3/4	1	ø21
C-80D	ø30	ø23 3/4	ø22 1/4	ø20 1/2	4	1 1/2	ø24
C-80E	ø26 1/2	ø23 1/4	ø21	ø20 1/2	2 3/4	1	ø24
C-80I	ø38 1/2	ø35 1/2	ø34	ø32 1/2	4	1 1/2	ø36

Nos.	DIMENSIONS (mm)						Pipe size
	A	AA	C	D	E	X	
C-80	ø387	ø292	ø254	ø216	70	25	ø305
C-80A	ø438	ø343	ø305	ø267	70	25	ø381
C-80B	ø546	ø445	ø406	ø368	70	25	ø457
C-80C	ø597	ø495	ø457	ø419	70	25	ø533
C-80D	ø762	ø603	ø565	ø521	102	38	ø610
C-80E	ø673	ø591	ø533	ø521	70	25	ø610
C-80I	ø978	ø902	ø864	ø826	102	38	ø914

(APPROX.)



www.bibby-ste-croix.com

IMPORTANT: The model numbers refer to the frames. Each piece is sold separately.

C-80 / C80A / C80B / C80C / C80D / C80E / C80I (CONT.)

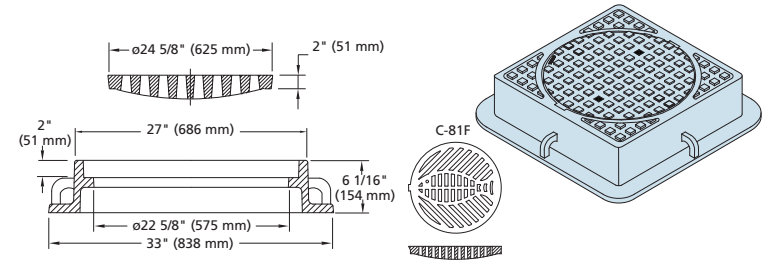
	SURFACE OPENING	
	inch ²	cm ²
GRATE C-80	28	180
GRATE C-80A	27	174
GRATE C-80B	56	361
GRATE C-80C	91	586
GRATE C-80D	218	1,404
GRATE C-80E	129	830
GRATE C-80I	264	1,694

	MATERIAL	LBS	KG
FRAME C-80	GREY IRON	27	12
COVER C-80	GREY IRON	15	7
GRATE C-80	GREY IRON	12	5
FRAME C-80A	GREY IRON	32	15
COVER C-80A	GREY IRON	20	9
GRATE C-80A	GREY IRON	18	8
FRAME C-80B	GREY IRON	45	20
COVER C-80B	GREY IRON	35	16
GRATE C-80B	GREY IRON	30	14
FRAME C-80C	GREY IRON	49	22
COVER C-80C	GREY IRON	60	27
GRATE C-80C	GREY IRON	50	23
FRAME C-80D	GREY IRON	115	52
COVER C-80D	GREY IRON	120	55
GRATE C-80D	GREY IRON	97	44
FRAME C-80E	GREY IRON	56	25
COVER C-80E	GREY IRON	80	36
GRATE C-80E	GREY IRON	75	34
FRAME C-8I	GREY IRON	160	73
COVER C-80I	GREY IRON	200	91
GRATE C-80I	GREY IRON	260	118

(APPROX.)

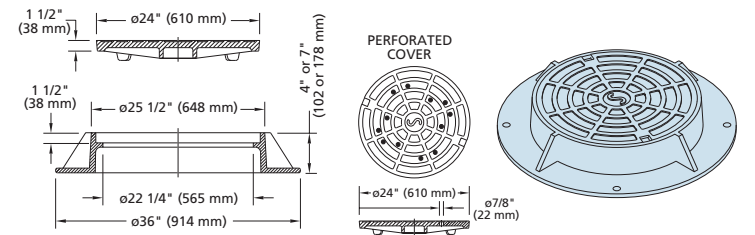
IMPORTANT: The model numbers refer to the frames. Each piece is sold separately.

C-81



	MATERIAL	LBS	KG
FRAME	GREY IRON	255	116
GRATE BIKE PROOF OR FISH	GREY IRON	155	70
COVER C-81 SOLID	GREY IRON	165	75
COVER C-81 PERFORATED	GREY IRON	142	65
COVER & PLUG JW-300A	GREY IRON	175	79

C-88



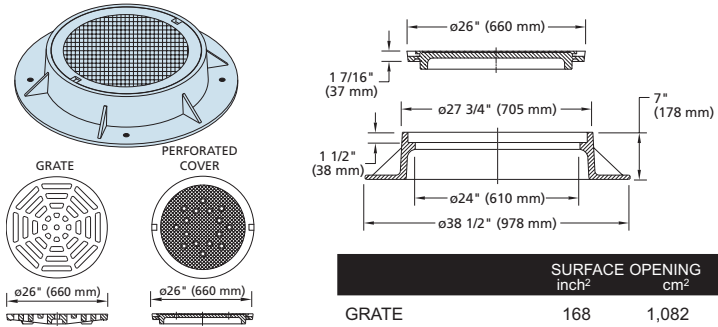
	MATERIAL	LBS	KG
FRAME 4" (102 mm)	GREY IRON	170	77
FRAME 7" (178 mm)	GREY IRON	215	98
COVER	GREY IRON	135	61
PERFORATED COVER	GREY IRON	130	59

(APPROX.)

FRAMES AND COVERS

IMPORTANT: The model numbers refer to the frames. Each piece is sold separately.

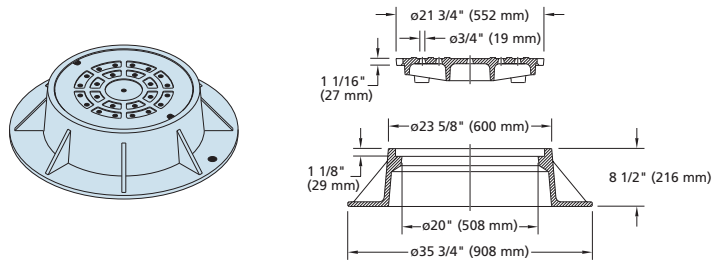
C-89



	SURFACE OPENING	
	inch ²	cm ²
GRATE	168	1,082

	MATERIAL	LBS	KG
FRAME	GREY IRON	245	111
COVER	GREY IRON	154	70
PERFORATED COVER	GREY IRON	152	69
GRATE	GREY IRON	140	64

C-90



	MATERIAL	LBS	KG
FRAME	GREY IRON	265	120
COVER	GREY IRON	130	59

(APPROX.)

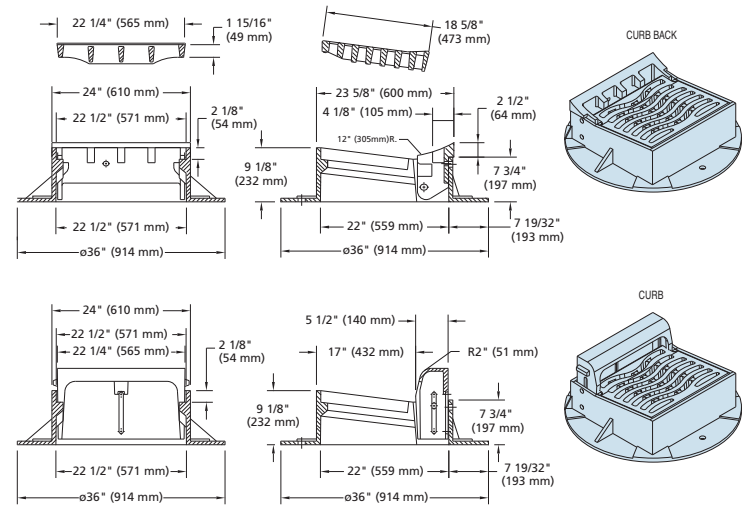


www.bibby-ste-croix.com

FRAMES AND GRATES

IMPORTANT: The model numbers refer to the frames. Each piece is sold separately.

C-91



	SURFACE OPENING	
	inch ²	cm ²
GRATE	173	1,114

	MATERIAL	LBS	KG
FRAME	GREY IRON	275	125
GRATE	GREY IRON	155	70
CURB BACK	GREY IRON	70	32
CURB	GREY IRON	75	34

(APPROX.)

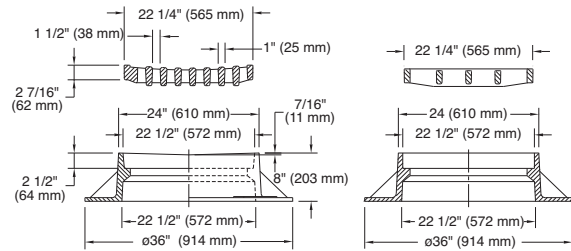
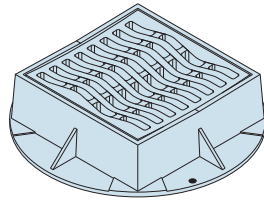
www.bibby-ste-croix.com



FRAMES AND GRATES

IMPORTANT: The model numbers refer to the frames. Each piece is sold separately.

C-92



	SURFACE OPENING	
	inch ²	cm ²
GRATE	147	947

	MATERIAL	LBS	KG
FRAME	GREY IRON	290	132
GRATE	GREY IRON	180	82

(APPROX.)

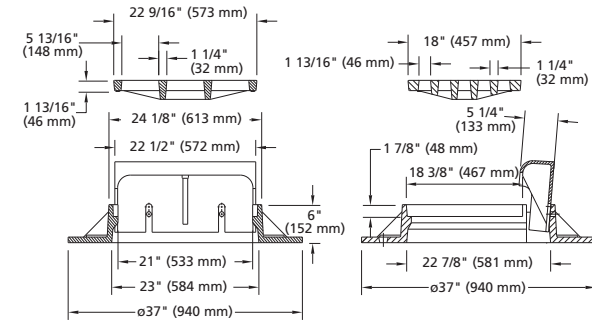
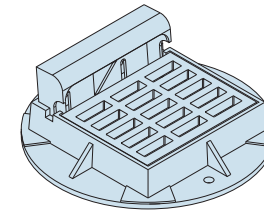


www.bibby-ste-croix.com

FRAMES AND COVERS

IMPORTANT: The model numbers refer to the frames. Each piece is sold separately.

C-93



	SURFACE OPENING	
	inch ²	cm ²
GRATE	151	972

	MATERIAL	LBS	KG
FRAME	GREY IRON	240	110
GRATE	GREY IRON	114	52
CURB BACK	GREY IRON	57	26

(APPROX.)

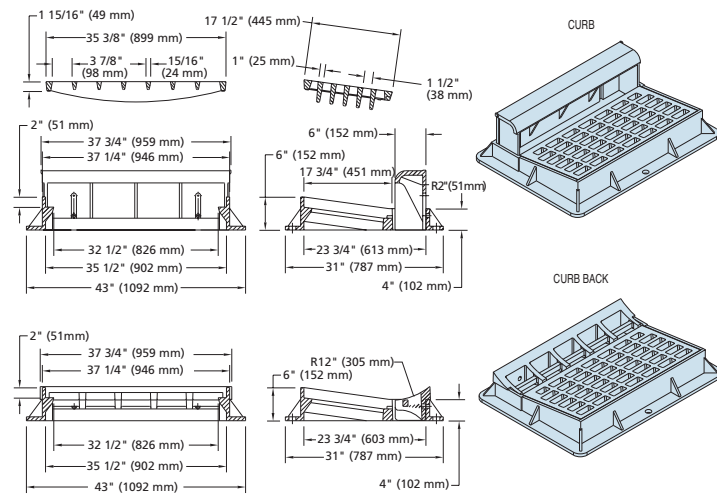
www.bibby-ste-croix.com



FRAMES AND COVERS

IMPORTANT: The model numbers refer to the frames. Each piece is sold separately.

C-94



	SURFACE OPENING	
	inch ²	cm ²
GRATE	233	1,500

	MATERIAL	LBS	KG
FRAME	GREY IRON	250	114
GRATE	GREY IRON	190	86
CURB BACK	GREY IRON	100	46
CURB	GREY IRON	150	68

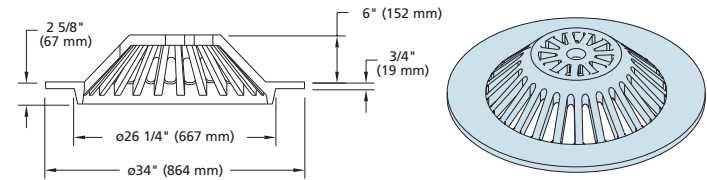
(APPROX.)



www.bibby-ste-croix.com

GRATES

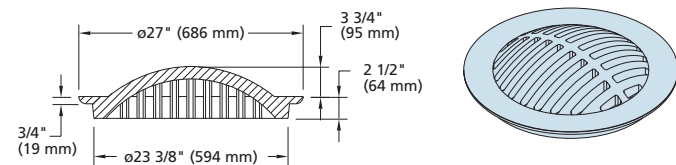
C-95



	SURFACE OPENING	
	inch ²	cm ²
GRATE	180	1,160

	MATERIAL	LBS	KG
GRATE	GREY IRON	205	93

C-96



	SURFACE OPENING	
	inch ²	cm ²
GRATE	148	690

	MATERIAL	LBS	KG
GRATE	GREY IRON	150	68

(APPROX.)

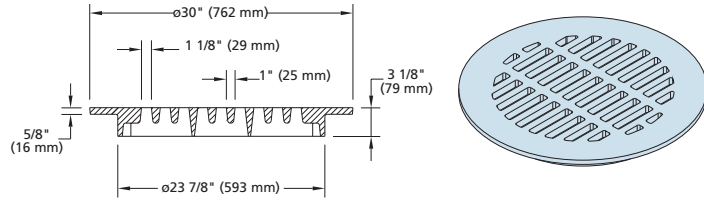
www.bibby-ste-croix.com



FRAMES AND COVERS

IMPORTANT: The model numbers refer to the frames. Each piece is sold separately.

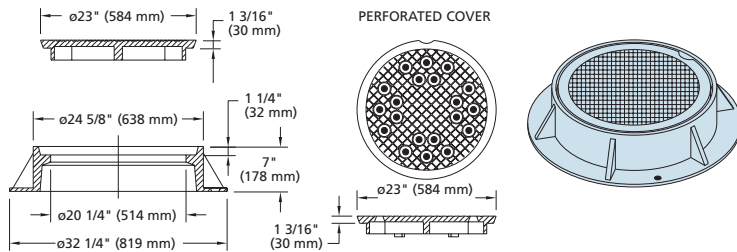
C-97



	SURFACE OPENING	
	inch ²	cm ²
GRATE	165	1,063

	MATERIAL	LBS	KG
GRATE	GREY IRON	175	80

C-98



	MATERIAL	LBS	KG
FRAME	GREY IRON	215	98
COVER	GREY IRON	140	64
PERFORATED COVER	GREY IRON	145	66

(APPROX.)

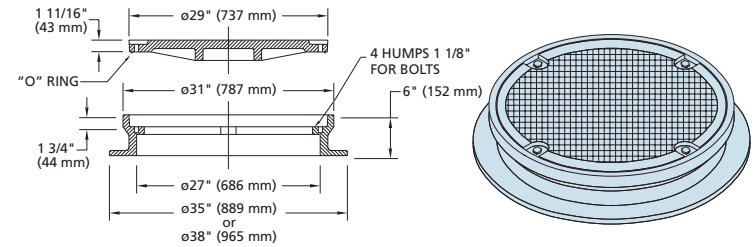


www.bibby-ste-croix.com

FRAMES AND COVERS

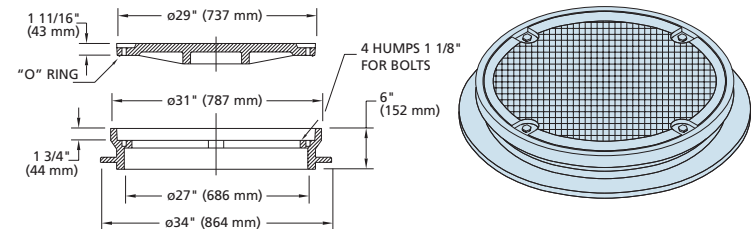
IMPORTANT: The model numbers refer to the frames. Each piece is sold separately.

C-101



	MATERIAL	LBS	KG
FRAME	GREY IRON	210	95
COVER	GREY IRON	275	125

C-101MF



	MATERIAL	LBS	KG
FRAME	GREY IRON	210	95
COVER C-101	GREY IRON	275	125

(APPROX.)

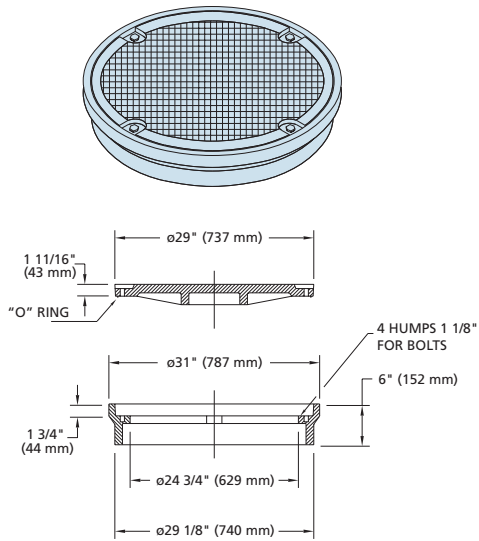


www.bibby-ste-croix.com

FRAMES AND COVERS

IMPORTANT: The model numbers refer to the frames. Each piece is sold separately.

C-101S



	MATERIAL	LBS	KG
FRAME	GREY IRON	210	95
COVER C-101	GREY IRON	275	125

(APPROX.)

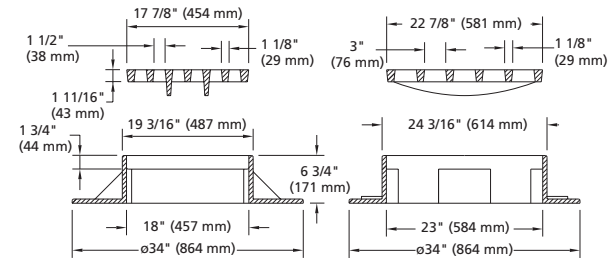
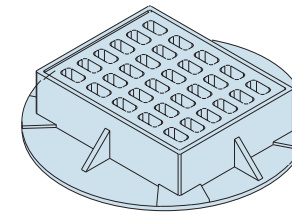


www.bibby-ste-croix.com

FRAMES AND GRATES

IMPORTANT: The model numbers refer to the frames. Each piece is sold separately.

C-103



	SURFACE OPENING	
	inch ²	cm ²
GRATE	132	850

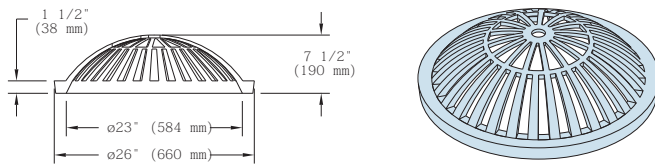
	MATERIAL	LBS	KG
FRAME	GREY IRON	225	102
GRATE	GREY IRON	114	52

(APPROX.)

www.bibby-ste-croix.com



C-104

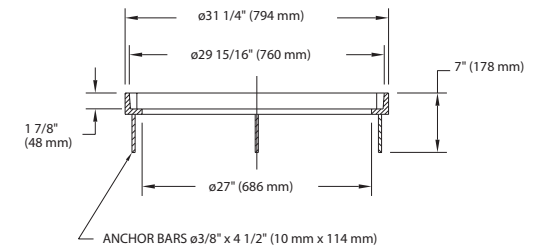
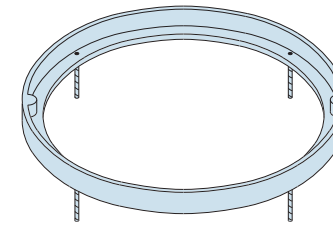


	SURFACE OPENING	
	inch ²	cm ²
GRATE	180	1,164

	MATERIAL	LBS	KG
GRATE	GREY IRON	90	41

(APPROX.)

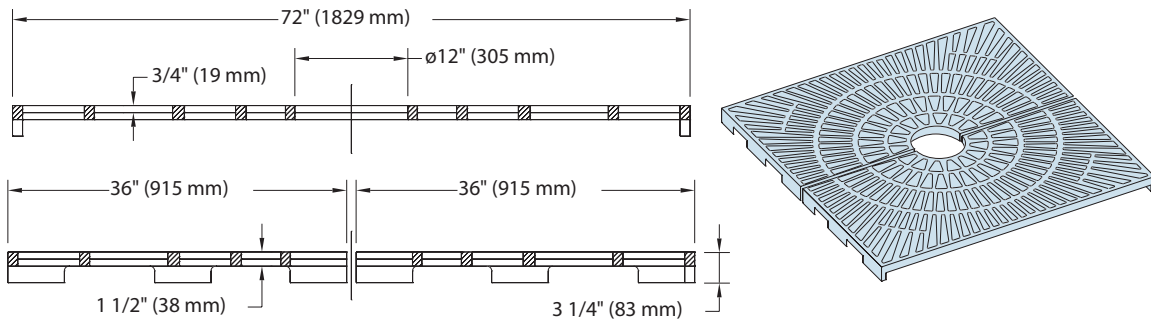
CP-12



	MATERIAL	LBS	KG
FRAME	GREY IRON	57	26

(APPROX.)

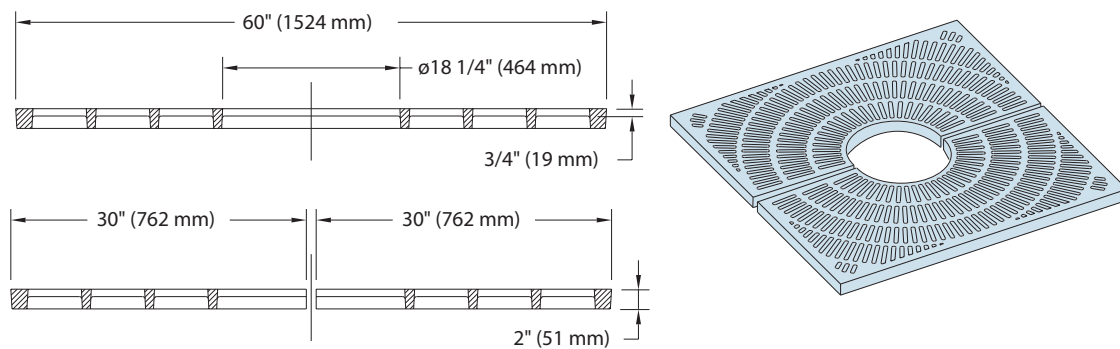
GA-101



Light grate with adjustable depth supports.
Tree opening is expandable.

	MATERIAL	LBS	KG
GRATE (2X)	GREY IRON	325	148

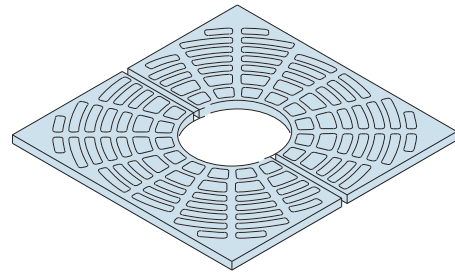
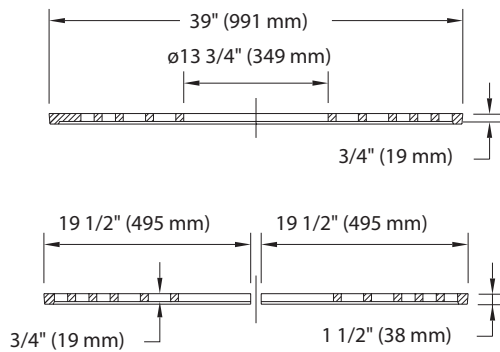
GA-102



	MATERIAL	LBS	KG
GRATE (2X)	GREY IRON	240	109

(APPROX.)

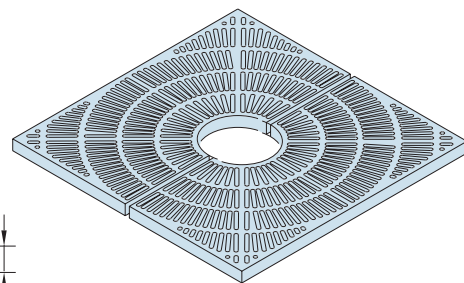
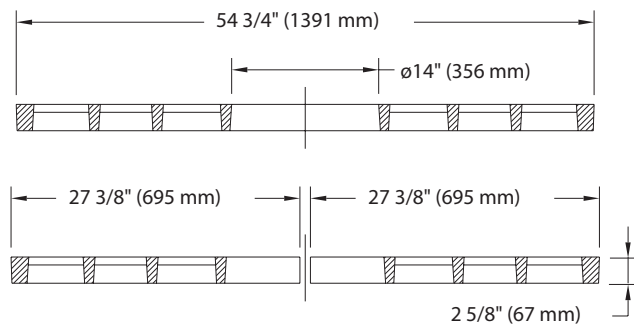
GA-103



Tree opening is expandable.

	MATERIAL	LBS	KG
GRATE (2X)	GREY IRON	87	40

GA-104

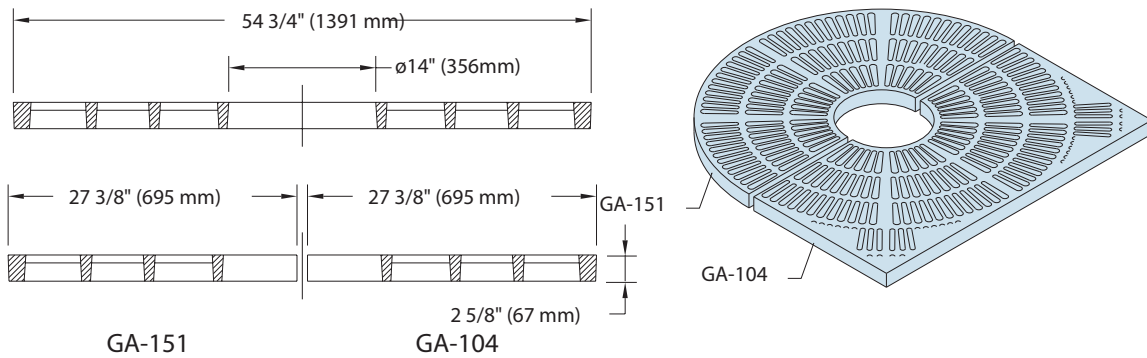


	MATERIAL	LBS	KG
GRATE (2X)	GREY IRON	350	159

(APPROX.)

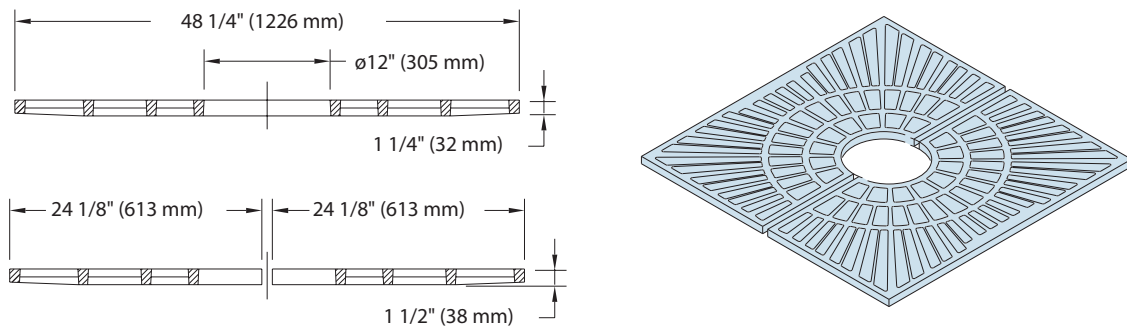
GA-104

GA-151



	MATERIAL	LBS	KG
GRATE GA-104	GREY IRON	350	159
GRATE GA-151	GREY IRON	255	116

GA-105

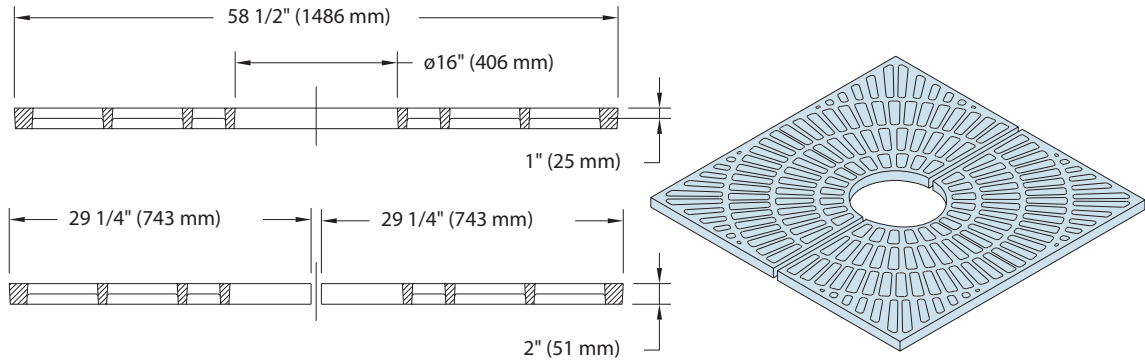


Tree opening is expandable

	MATERIAL	LBS	KG
GRATE (2X)	GREY IRON	135	61

(APPROX.)

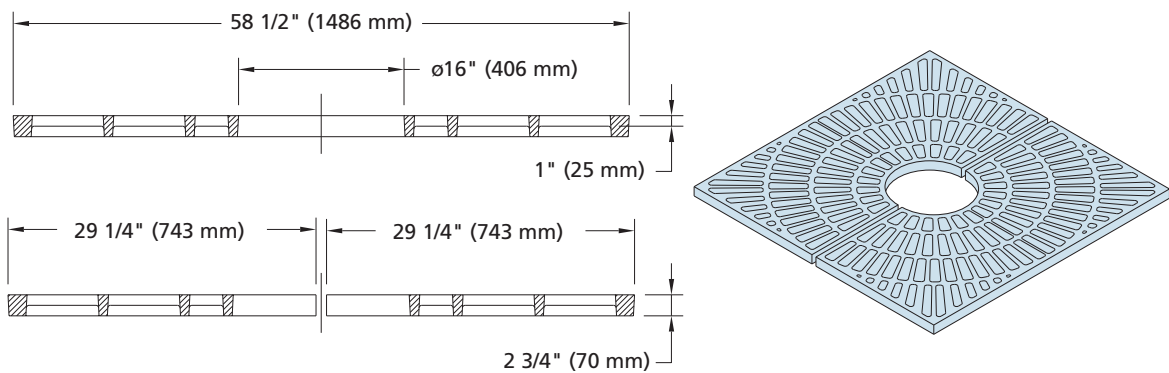
GA-106



Tree opening is expandable.

	MATERIAL	LBS	KG
GRATE (2X)	GREY IRON	333	151

GA-106A

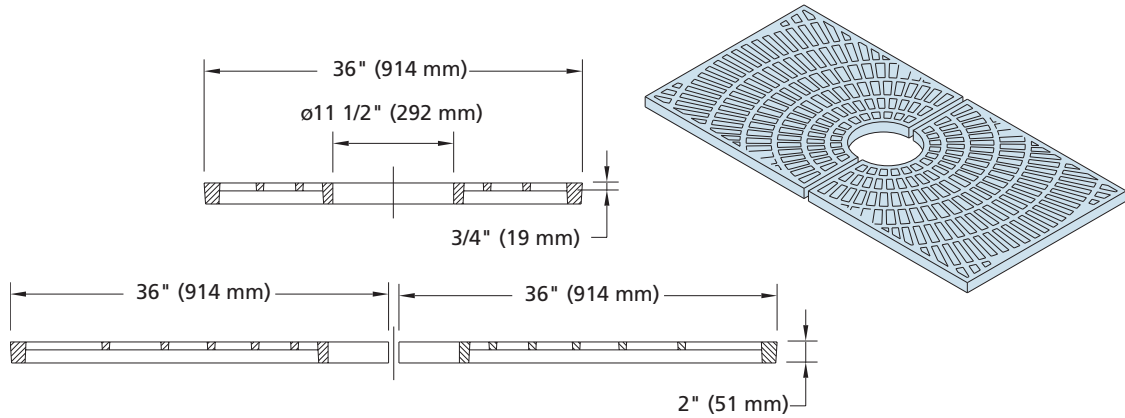


Tree opening is expandable.

	MATERIAL	LBS	KG
GRATE (2X)	GREY IRON	400	182

(APPROX.)

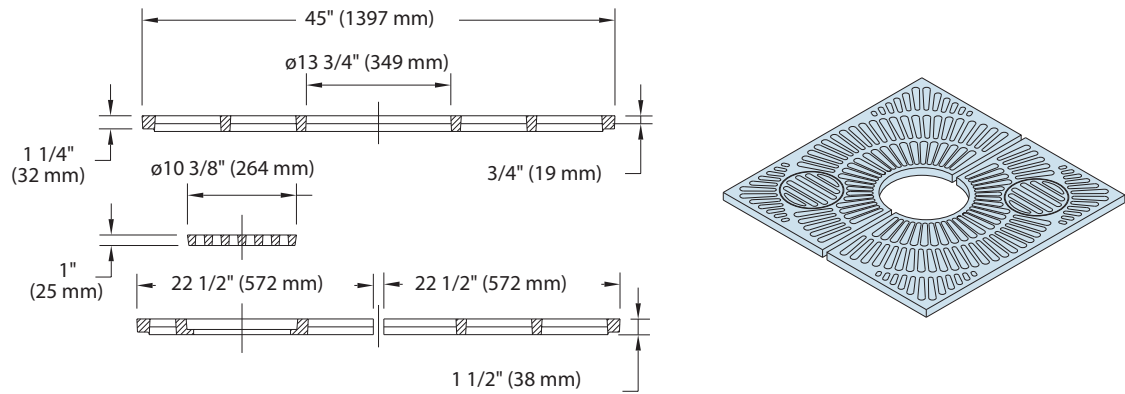
GA-107



Tree opening is expandable.

	MATERIAL	LBS	KG
GRATE (2X)	GREY IRON	207	94

GA-108

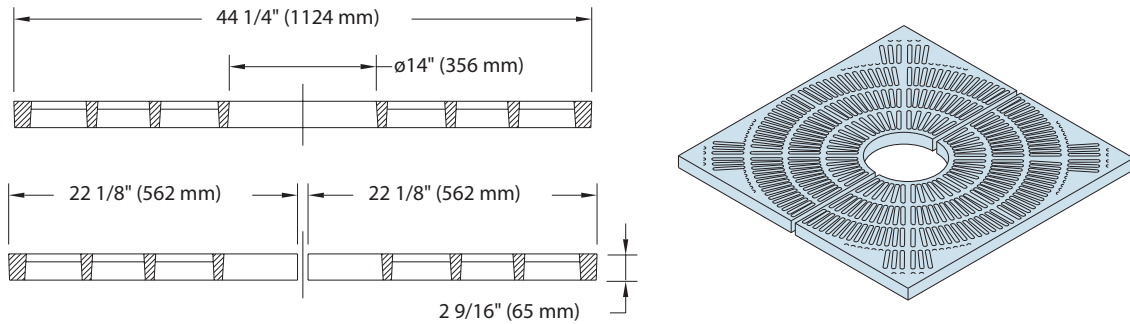


Tree opening is expandable.

	MATERIAL	LBS	KG
GRATE (2X)	GREY IRON	300	136

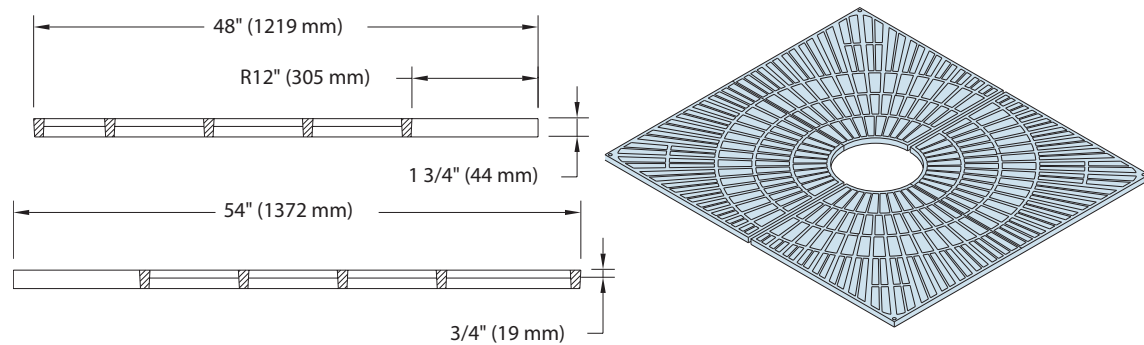
(APPROX.)

GA-110



	MATERIAL	LBS	KG
GRATE (2X)	GREY IRON	260	118

GA-126

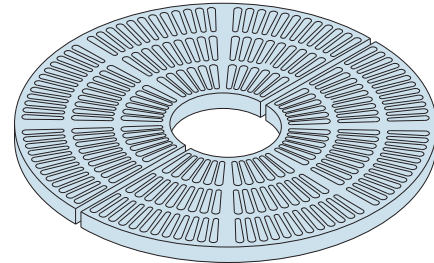
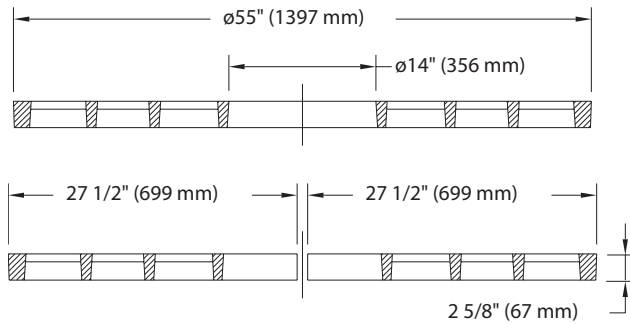


Tree grates are assembled by bolts at the edges of the four (4) sections.
 Tree opening is expandable.
 4 pieces required per unit.

	MATERIAL	LBS	KG
GRATE (4X)	GREY IRON	325	148

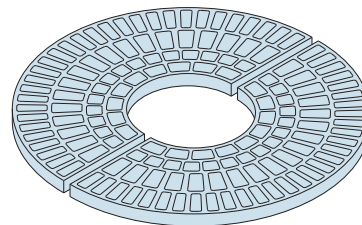
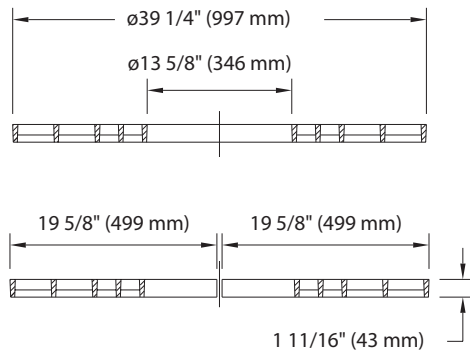
(APPROX.)

GA-151



	MATERIAL	LBS	KG
GRATE (2X)	GREY IRON	255	116

GA-152

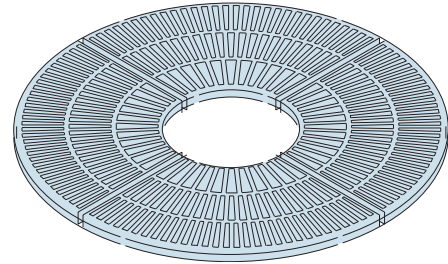
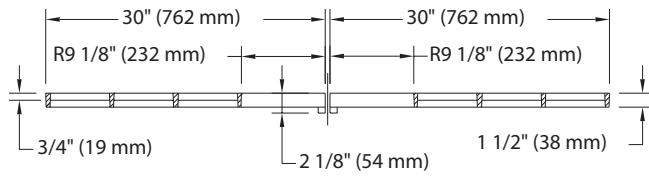


Tree opening is expandable.

	MATERIAL	LBS	KG
GRATE (2X)	GREY IRON	105	48

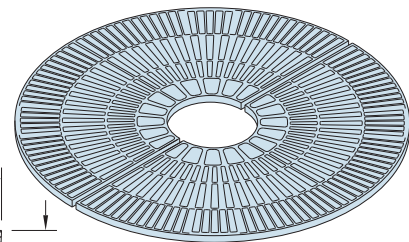
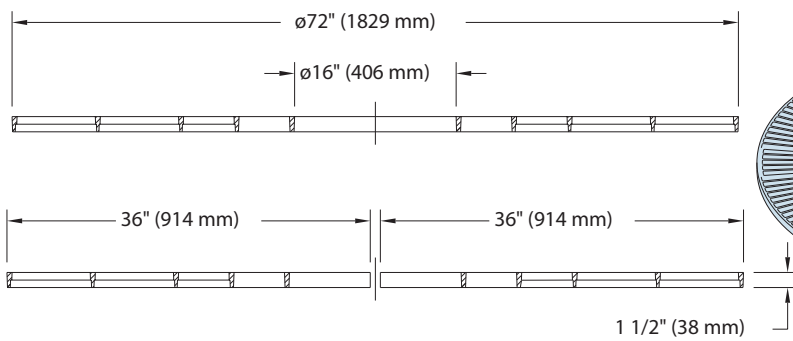
(APPROX.)

GA-176



	MATERIAL	LBS	KG
GRATE (4X)	GREY IRON	110	50

GA-185

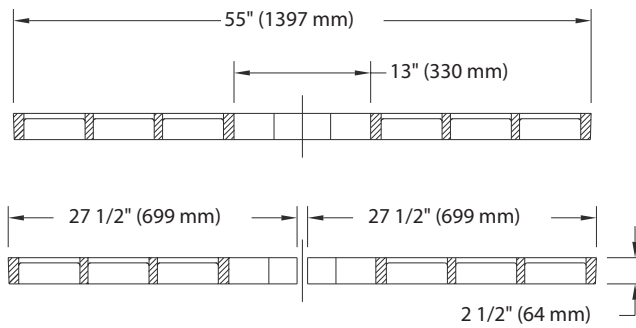
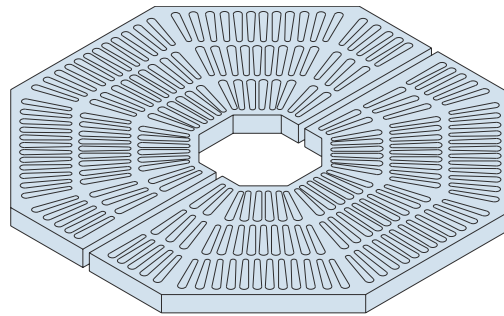


Small grate bolted for lighting.

	MATERIAL	LBS	KG
GRATE (2X)	GREY IRON	245	111

(APPROX.)

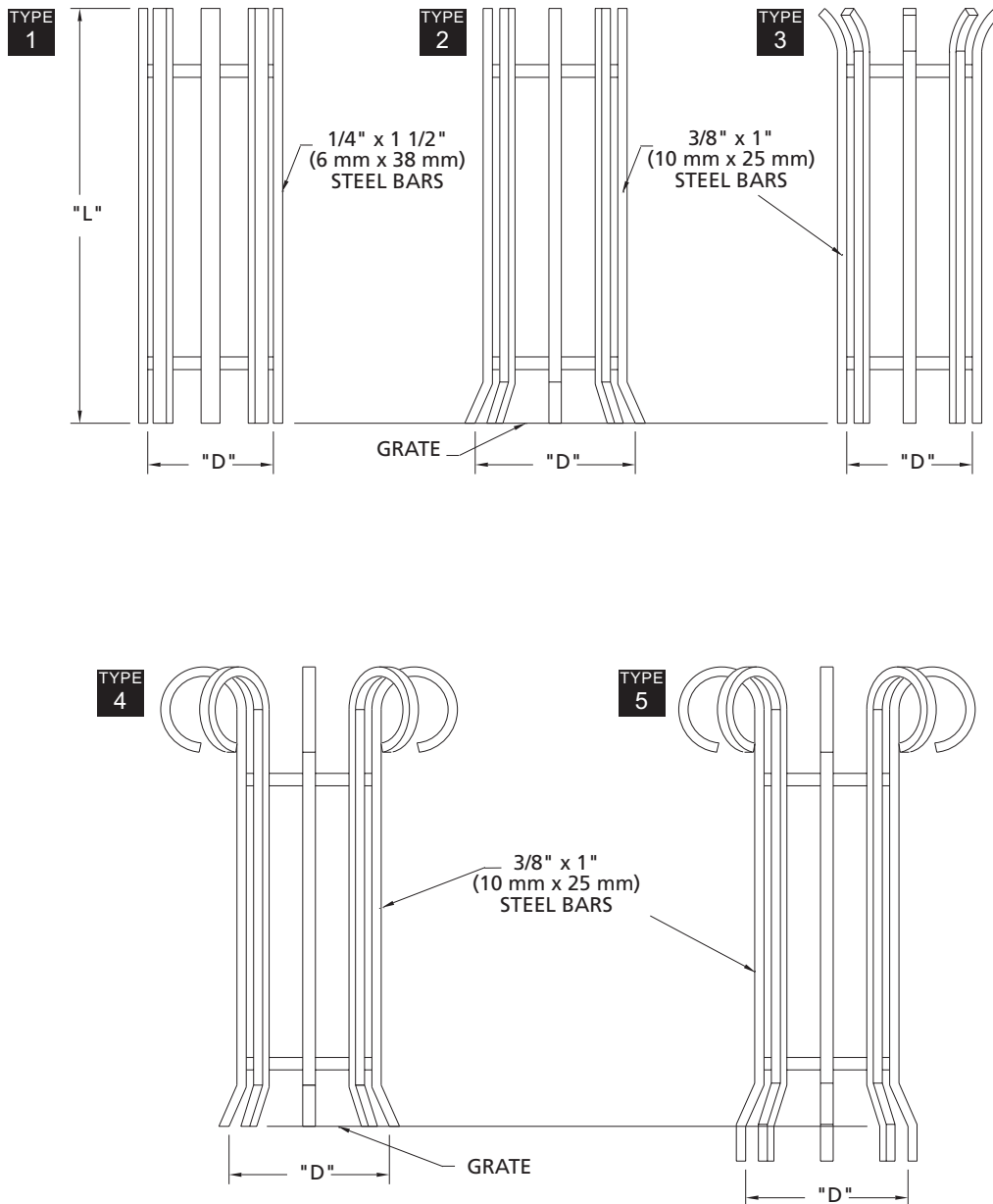
GA-201



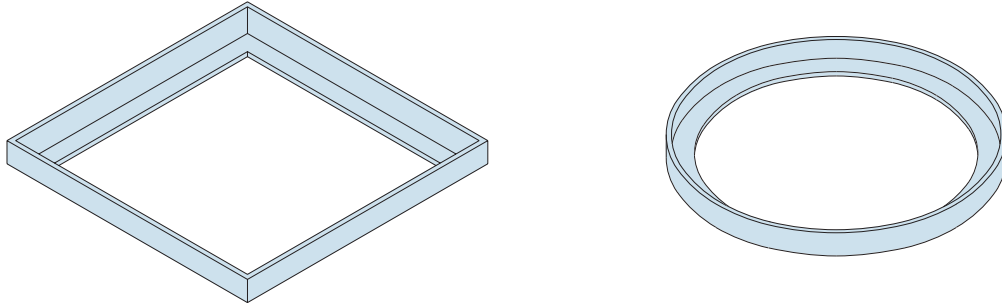
	MATERIAL	LBS	KG
GRATE (2X)	GREY IRON	285	130

(APPROX.)

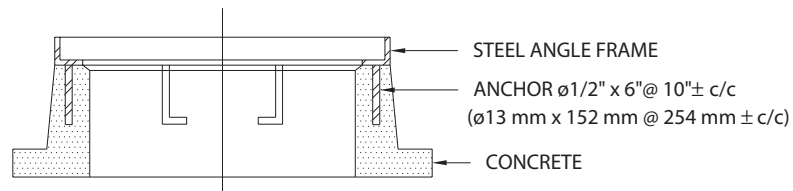
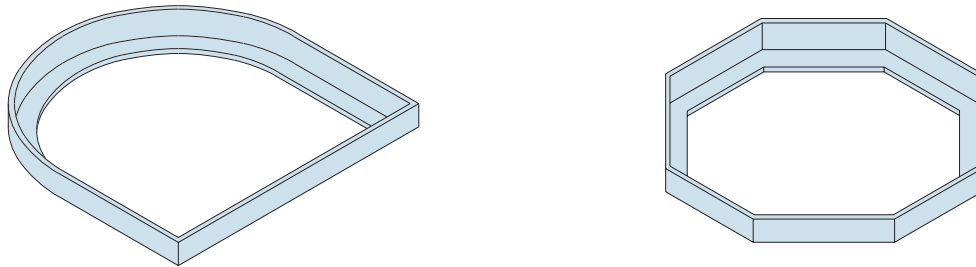
PREFABRICATED TREE PROTECTORS



FRAMES FOR TREE GRATES



DIFFERENT SHAPES AVAILABLE

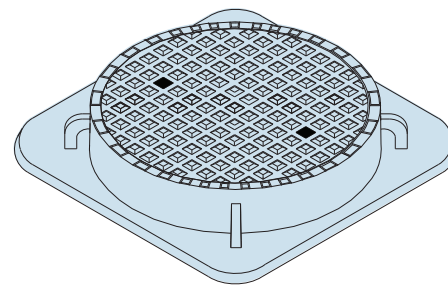
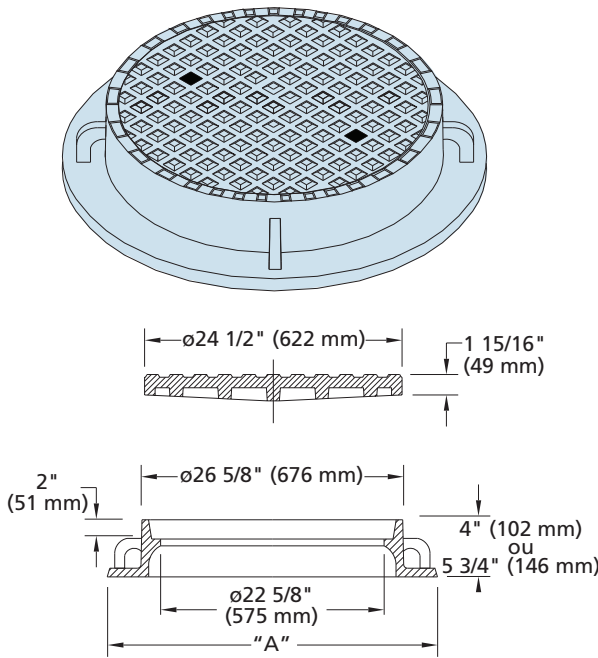


TYPICAL CUT-VIEW

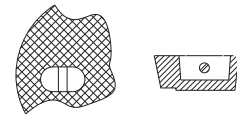
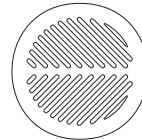
IMPORTANT: The model numbers refer to the frames. Each piece is sold separately.

JW-150RD

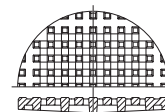
JW-150C



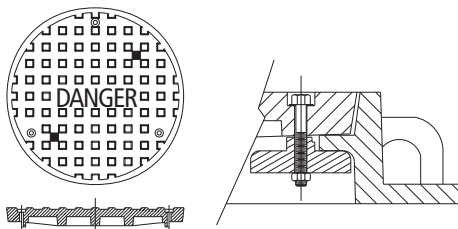
C-81 BP



STEEL LIFTING PIN



PERFORATED COVER



COVER WITH LOCK JW-150L

CODE	DIMENSIONS "A"	
	inch	mm
JW150-RD	ø33 1/4	ø845
JW150-C	31 1/2	800

Available with 3 bolts & lugs JW-150L

Available with lift pocket without hole

	SURFACE OPENING	
	inch ²	cm ²
GRATE C-81 BP	251	1,608

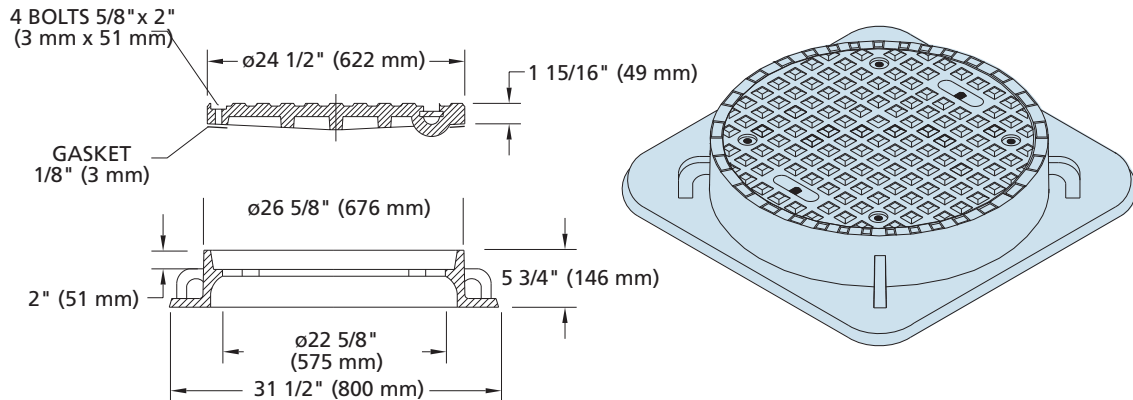
	MATERIAL	LBS	KG
ROUND FRAME JW-150RD	GREY IRON	225	102
SQUARE FRAME JW-150C	GREY IRON	198	90
COVER	GREY IRON	165	75
C. PERFORATED 62 HOLES 1≤ (25 mm)	GREY IRON	142	65
COVER WITH LOCK (3) JW-150L	GREY IRON	165	75
GRATE C-81 BP	GREY IRON	155	70

(APPROX.)

FRAMES AND COVERS

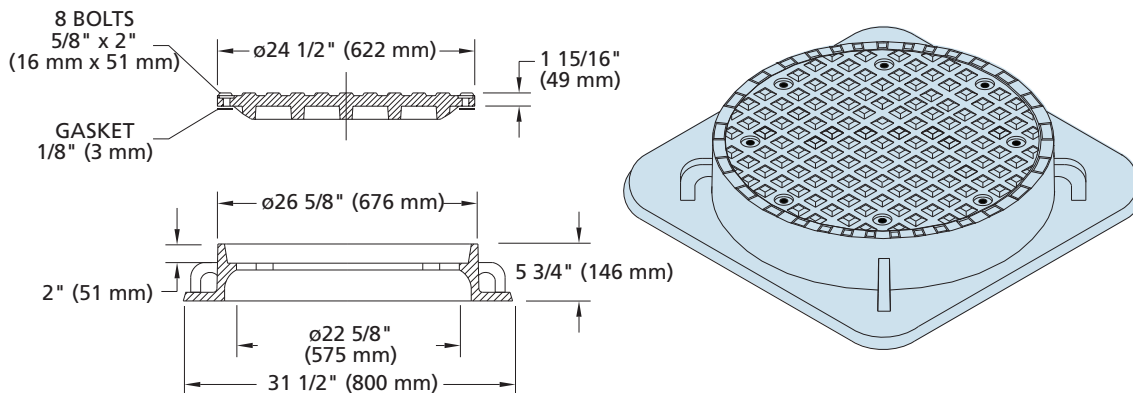
IMPORTANT: The model numbers refer to the frames. Each piece is sold separately.

JW-153 WATERTIGHT



	MATERIAL	LBS	KG
FRAME	GREY IRON	215	98
COVER	GREY IRON	165	75

JW-153A GASTIGHT

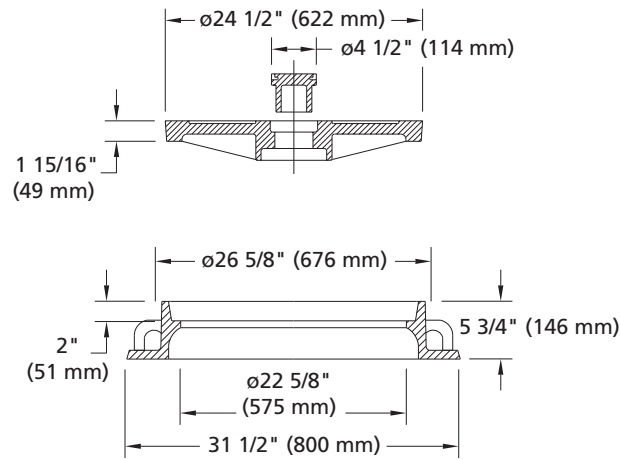
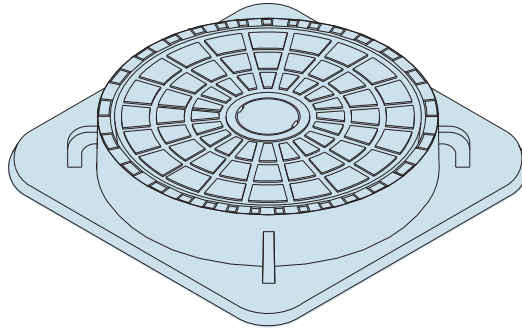


	MATERIAL	LBS	KG
FRAME	GREY IRON	215	98
COVER	GREY IRON	165	75

(APPROX.) WEIGHT

IMPORTANT: The model numbers refer to the frames. Each piece is sold separately.

JW 150 FRAME/JW-300A COVER & PLUG



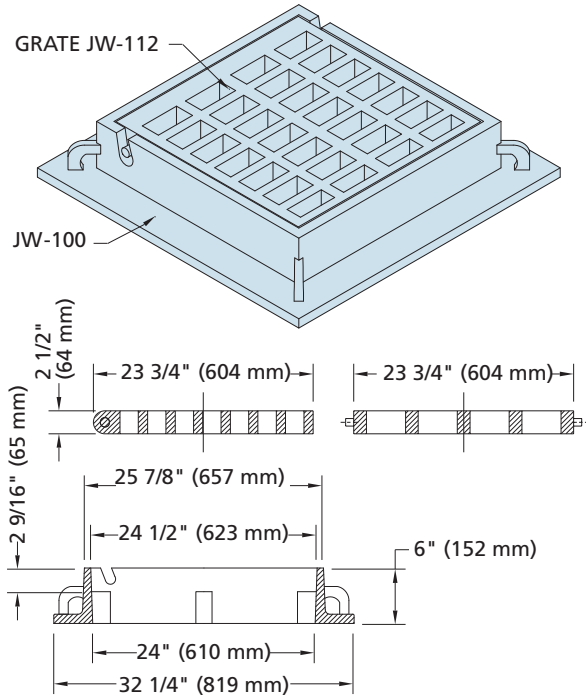
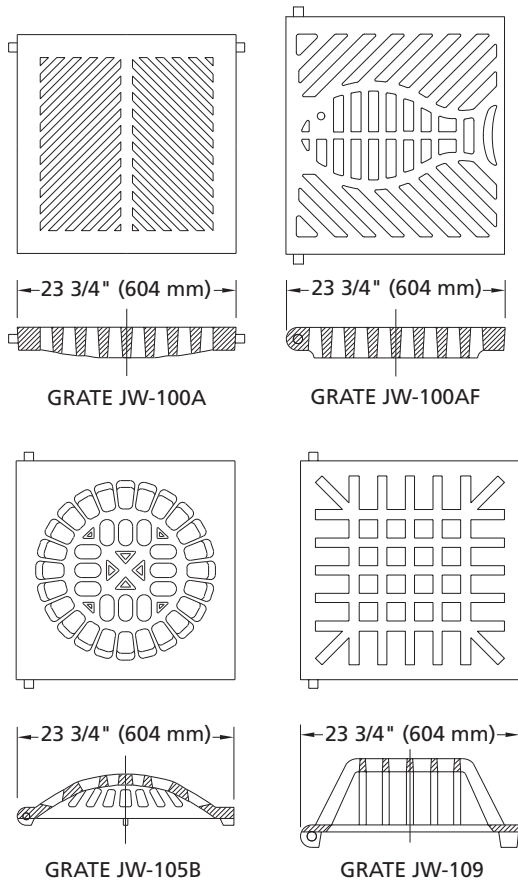
Available with round frame

	MATERIAL	LBS	KG
FRAME	GREY IRON	198	90
COVER	GREY IRON	175	80
PLUG	GREY IRON	8	4

(APPROX.)

IMPORTANT: The model numbers refer to the frames. Each piece is sold separately.

JW-100/100A/100AF/105B/109/112/112WM



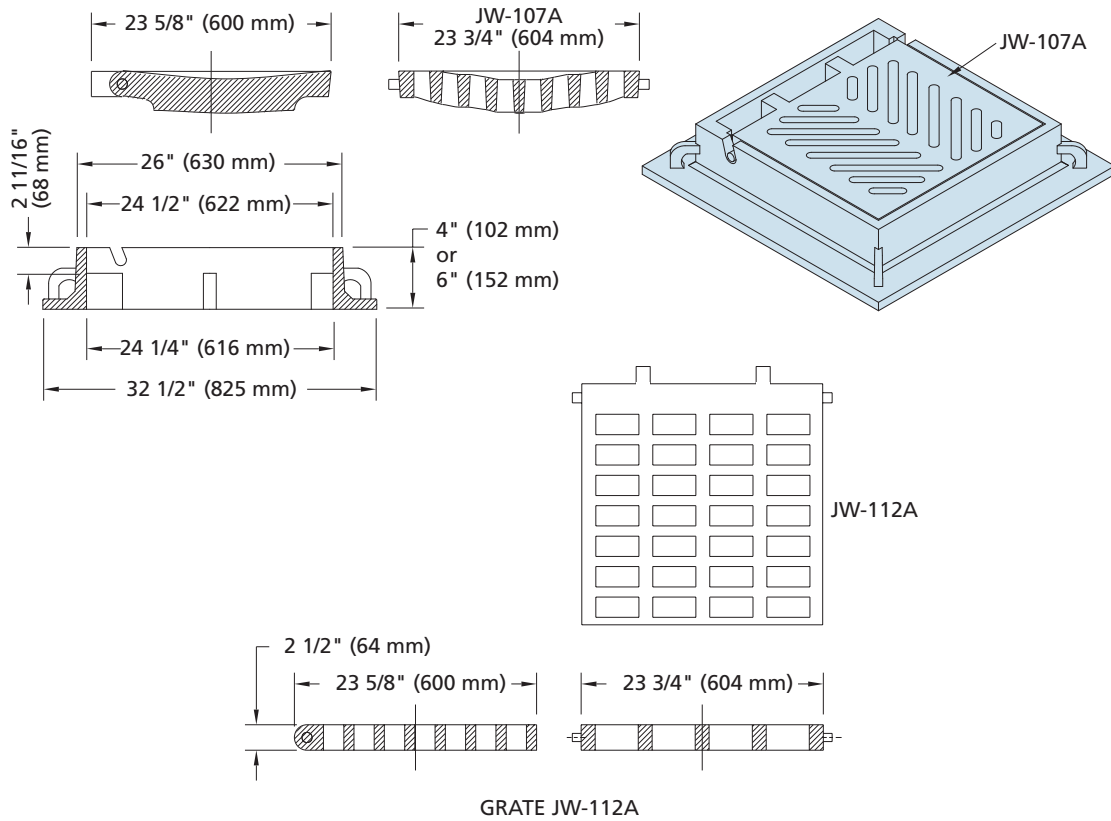
	SURFACE OPENING	
	inch ²	cm ²
GRATE JW-100A	186	1,202
GRATE JW-100AF	179	1,153
GRATE JW-105B	128	830
GRATE JW-109	338	2,181
GRATE JW-112	228	1,468
GRATE JW-112WM	196	1,262

	MATERIAL	LBS	KG
FRAME JW-100	GREY IRON	225	102
GRATE JW-100A	GREY IRON	225	102
GRATE JW-100AF	GREY IRON	240	109
GRATE JW-105B	GREY IRON	102	46
GRATE JW-109	GREY IRON	120	55
GRATE JW-112	GREY IRON	200	91
GRATE JW-112WM WALL MART	GREY IRON	200	91

(APPROX.)

IMPORTANT: The model numbers refer to the frames. Each piece is sold separately.

JW-107/JW-107A/112A



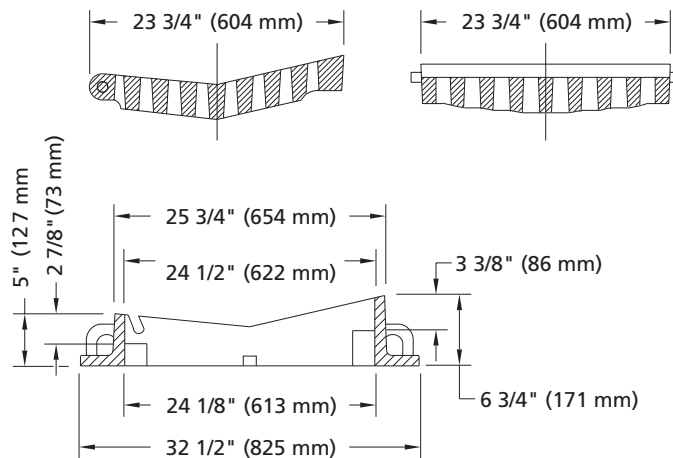
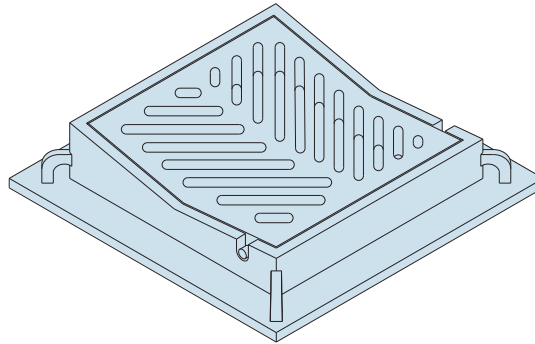
	SURFACE OPENING	
	inch ²	cm ²
GRATE JW-107A	151	976
GRATE JW-112A	190	1,226

	MATERIAL	LBS	KG
FRAME JW-107	GREY IRON	235	107
GRATE JW-107A	GREY IRON	230	105
GRATE JW-112A	GREY IRON	180	82

(APPROX.)

IMPORTANT: The model numbers refer to the frames. Each piece is sold separately.

JW-102A V-TYPE

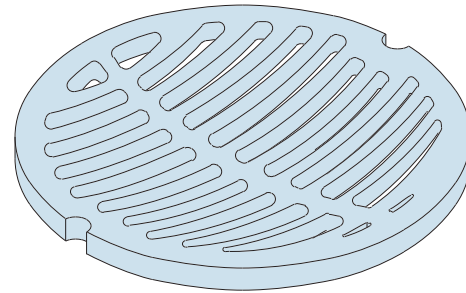
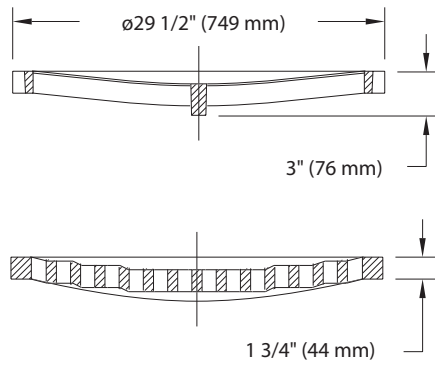


	SURFACE OPENING	
	inch ²	cm ²
GRATE	162	1,043

	MATERIAL	LBS	KG
FRAME JW-102	GREY IRON	240	109
GRATE JW-102A	GREY IRON	245	111

(APPROX.)

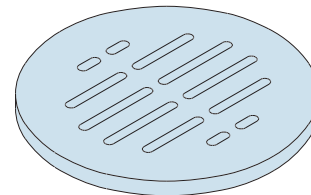
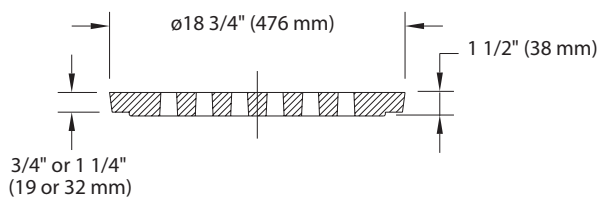
P-1



	SURFACE OPENING	
	inch ²	cm ²
GRATE	171	1,103

	MATERIAL	LBS	KG
GRATE	GREY IRON	210	96

P-2

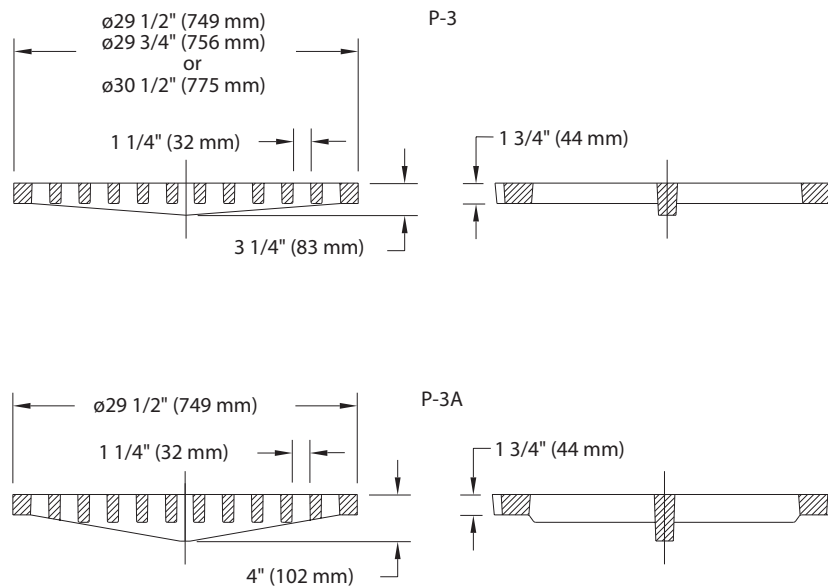
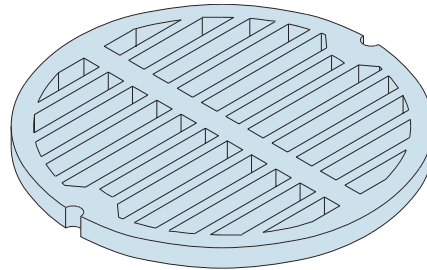


	SURFACE OPENING	
	inch ²	cm ²
GRATE	70	452

	MATERIAL	LBS	KG
GRATE	GREY IRON	112	51

(APPROX.)

P-3 / P-3A



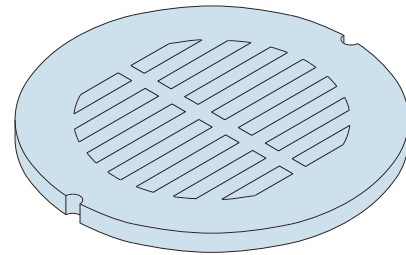
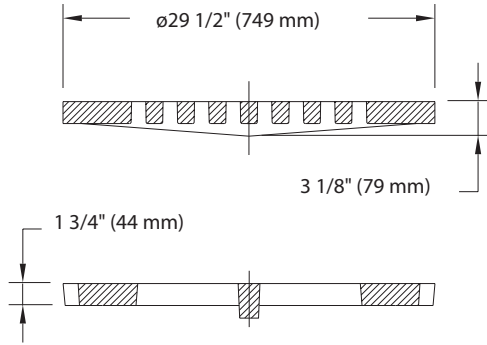
Grate P-3 29 3/4≤ and 30 1/2≤
(756 mm and 775 mm) without notches.
Available with machined seat.

	SURFACE OPENING	
	inch ²	cm ²
GRATE 29 1/2≤	171	1,103
GRATE 30 1/2≤	248	1,603

	MATERIAL	LBS	KG
GRATE P-3 29 1/2≤ (749 mm)	GREY & DUCTILE IRON	170	77
GRATE P-3 29 3/4≤ (756 mm)	GREY IRON	175	79
GRATE P-3 30 1/2≤ (775 mm)	GREY & DUCTILE IRON	180	82
GRATE P-3A 29 1/2≤ (749 mm)	GREY IRON	210	96

(APPROX.)

P-3SJ



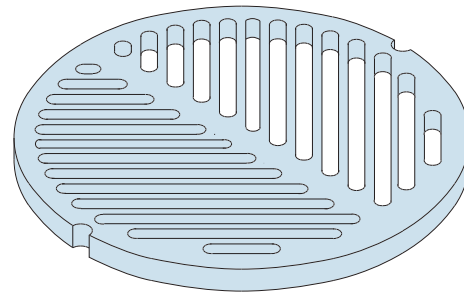
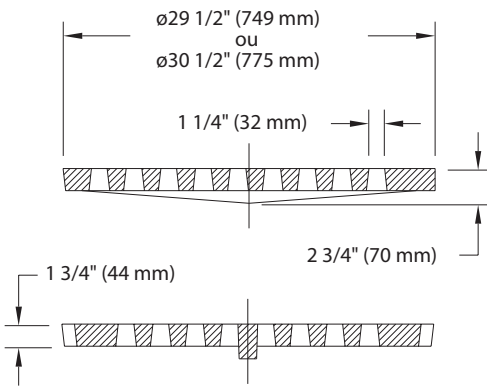
Flow reducer

	SURFACE OPENING	
	inch ²	cm ²
GRATE P-3 SJ-29.5	130	830

	MATERIAL	LBS	KG
GRATE	GREY IRON	250	114

P-3V

BICYCLE PROOF



The seat is reduced 1/8 when machined.

	SURFACE OPENING	
	inch ²	cm ²
GRATE 29 1/2≤ (749 mm)	241	1,555
GRATE 30 1/2≤ (775 mm)	284	1,838

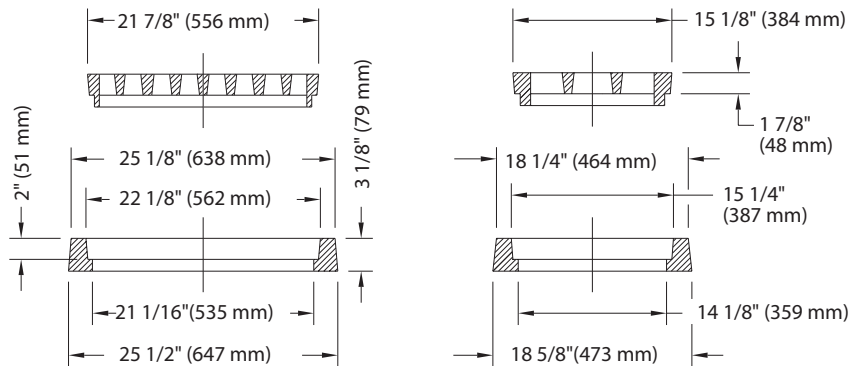
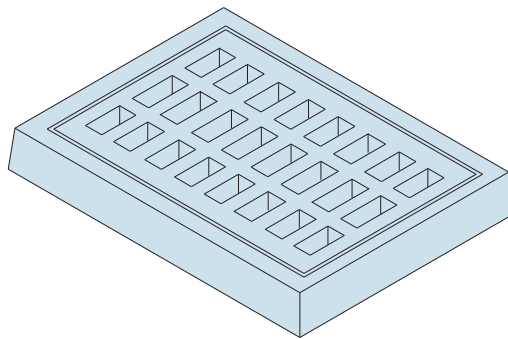
	MATERIAL	LBS	KG
GRATE 29 1/2≤ (749 mm)	GREY & DUCTILE IRON	190	86
GRATE 30 1/2≤ (775 mm)	GREY & DUCTILE IRON	200	91

(APPROX.)

IMPORTANT: The model numbers refer to the frames. Each piece is sold separately.

P-5

JW-203

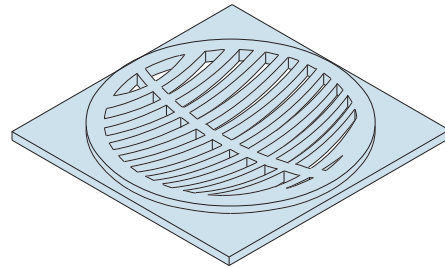
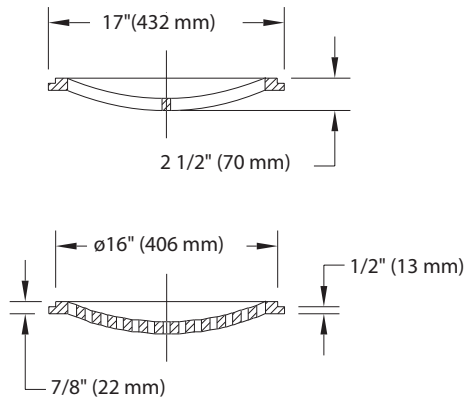


	SURFACE OPENING	
	inch ²	cm ²
GRATE	114	736

	MATERIAL	LBS	KG
FRAME	GREY IRON	105	48
GRATE	GREY IRON	100	46

(APPROX.)

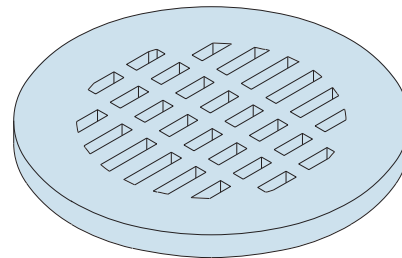
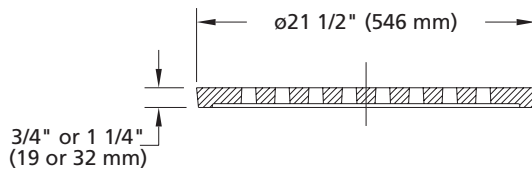
P-6A



	SURFACE OPENING	
	inch ²	cm ²
GRATE HQ1007746	82	531

	MATERIAL	LBS	KG
GRATE HQ1007746	GREY IRON	45	12

P-8

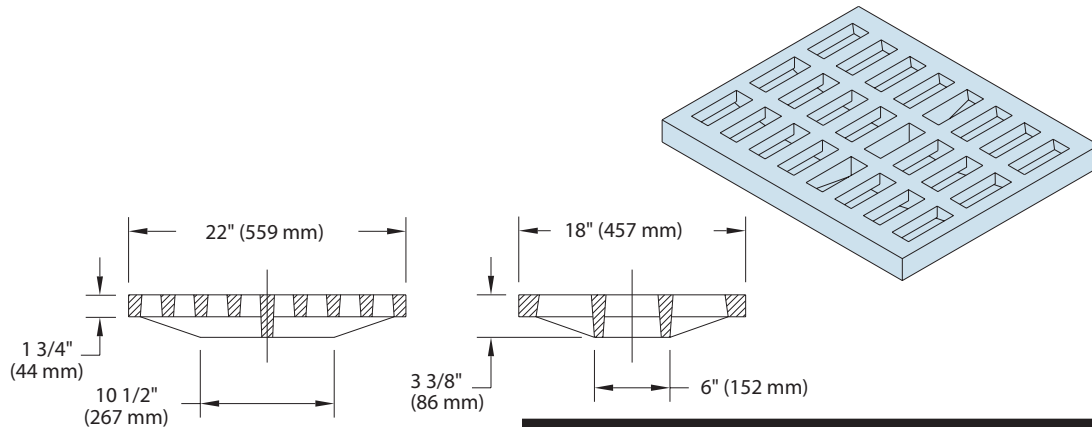


	SURFACE OPENING	
	inch ²	cm ²
GRATE	70	452

	MATERIAL	LBS	KG
GRATE	GREY IRON	80	36

(APPROX.)

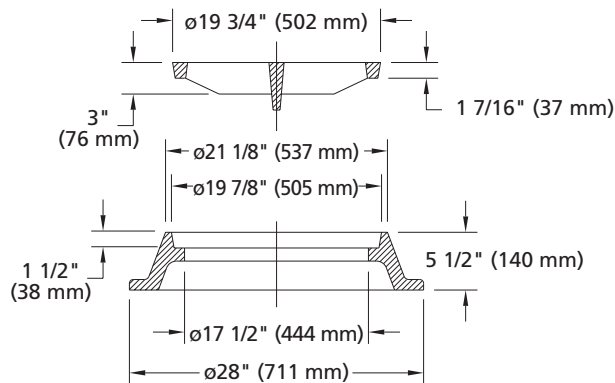
P-10



GRATE	SURFACE OPENING	
	inch ²	cm ²
	153	985

GRATE	MATERIAL	LBS	KG
		GREY IRON	110

P-13



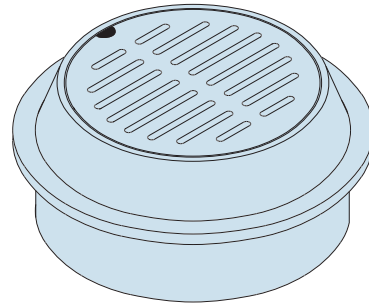
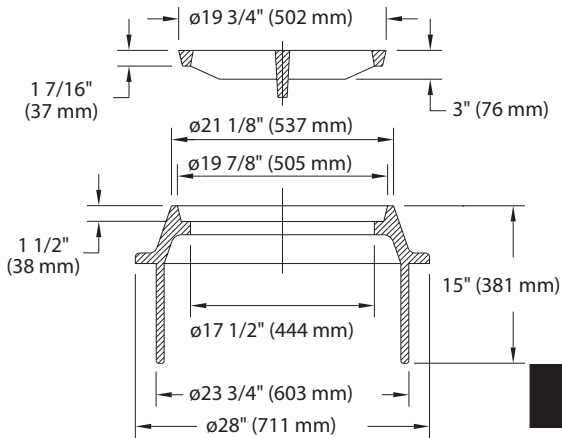
GRATE	SURFACE OPENING	
	inch ²	cm ²
	75	484

FRAME	MATERIAL	LBS	KG
			GREY IRON
GRATE	MATERIAL	LBS	KG
			GREY IRON

(APPROX.)

IMPORTANT: The model numbers refer to the frames. Each piece is sold separately.

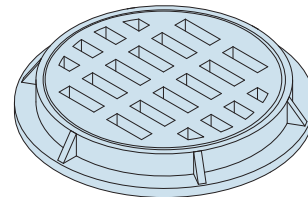
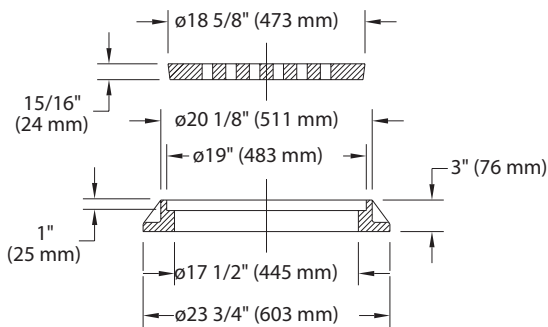
P-13M/P-13S (VILLE ST-LAURENT)



	SURFACE OPENING	
	inch ²	cm ²
GRATE	75	484

	MATERIAL	LBS	KG
FRAME	GREY IRON	300	136
GRATE P-13	GREY IRON	117	53

P-14



	SURFACE OPENING	
	inch ²	cm ²
GRATE	61	393

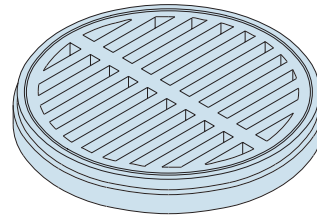
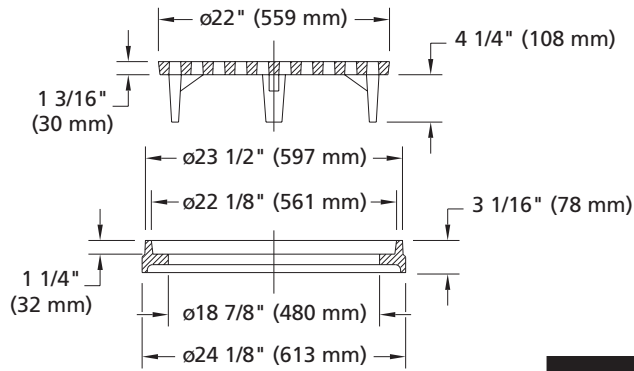
	MATERIAL	LBS	KG
FRAME	GREY IRON	85	39
GRATE	GREY IRON	65	30

(APPROX.)

FRAMES AND GRATES

IMPORTANT: The model numbers refer to the frames. Each piece is sold separately.

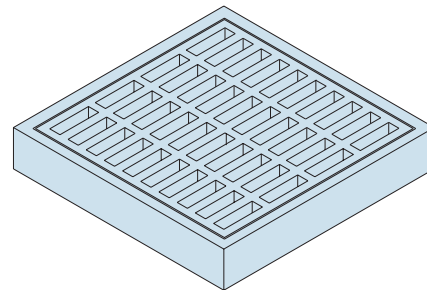
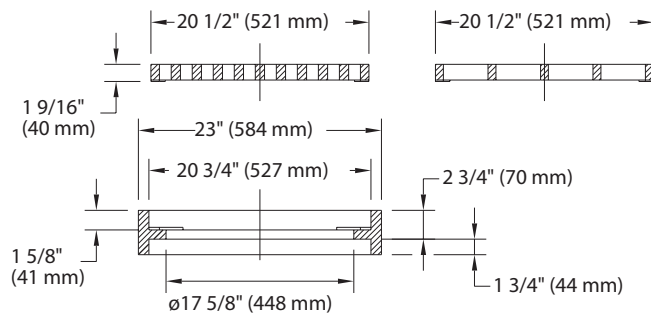
P-14A



	SURFACE OPENING	
	inch ²	cm ²
GRATE	106	682

	MATERIAL	LBS	KG
FRAME	GREY IRON	65	30
GRATE	GREY IRON	85	39

P-17



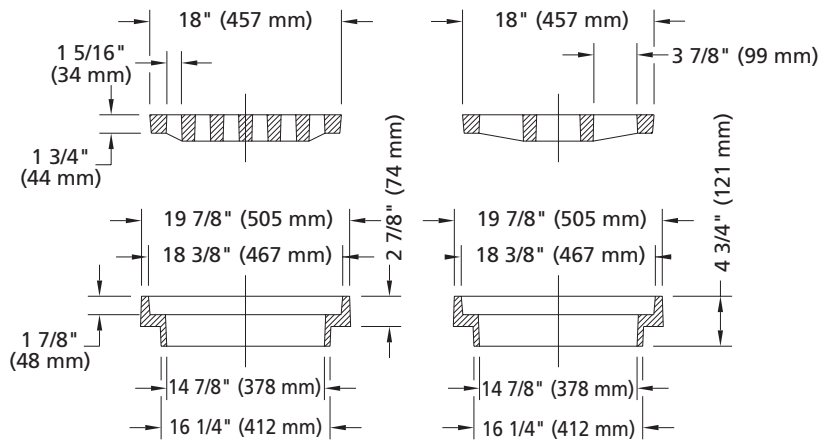
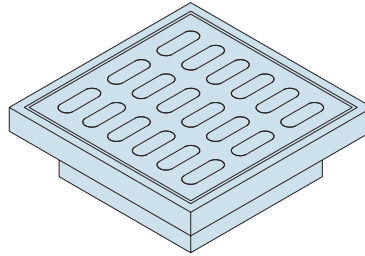
	SURFACE OPENING	
	inch ²	cm ²
GRATE	160	1,034

	MATERIAL	LBS	KG
FRAME	GREY IRON	125	57
GRATE	GREY IRON	85	39

(APPROX.)

IMPORTANT: The model numbers refer to the frames. Each piece is sold separately.

P-17A



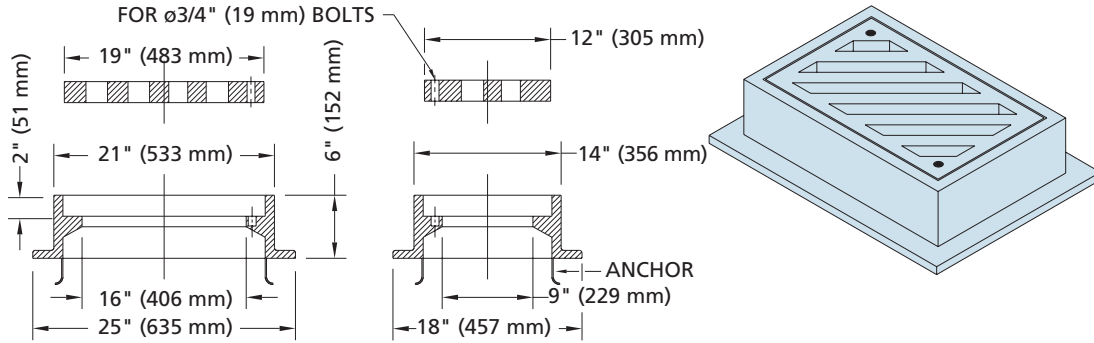
	SURFACE OPENING	
	inch ²	cm ²
GRATE	84	545
GRATE P-33-4	114	736

	MATERIAL	LBS	KG
FRAME	GREY IRON	90	41
GRATE	GREY IRON	110	50
GRATE P-33-4	GREY IRON	50	23

(APPROX.)

IMPORTANT: The model numbers refer to the frames. Each piece is sold separately.

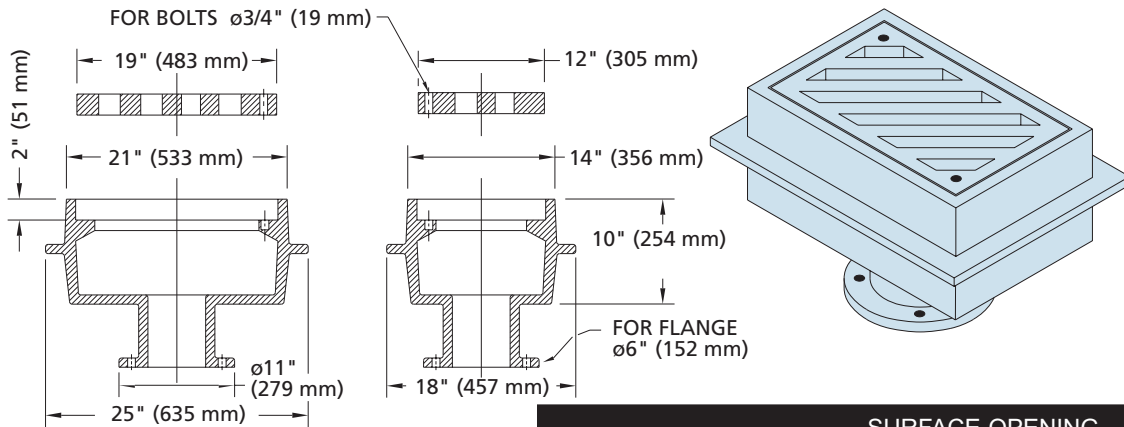
P-18A



	SURFACE OPENING	
	inch ²	cm ²
GRATE	95	612

	MATERIAL	LBS	KG
FRAME	GREY IRON	170	77
GRATE	GREY IRON	54	25

P-18B



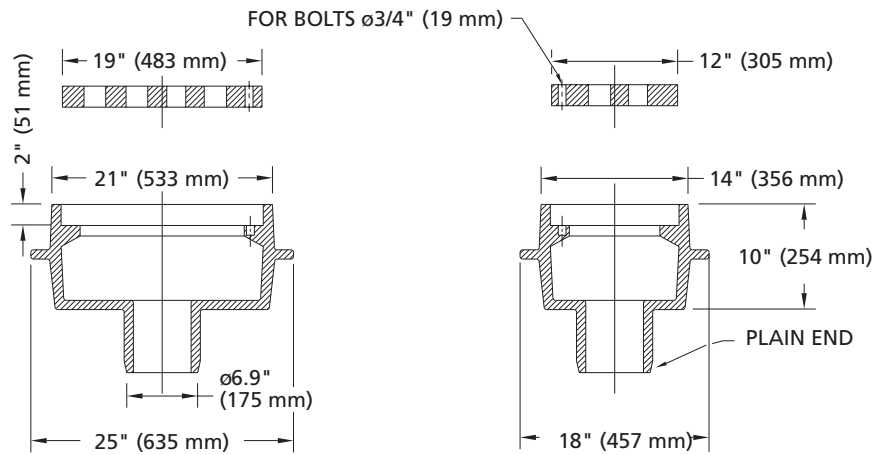
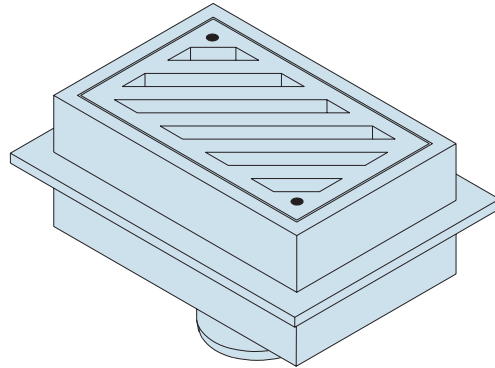
	SURFACE OPENING	
	inch ²	cm ²
GRATE	95	612

	MATERIAL	LBS	KG
FRAME	GREY IRON	385	175
GRATE P-18A	GREY & DUCTILE IRON	54	25

(APPROX.)

IMPORTANT: The model numbers refer to the frames. Each piece is sold separately.

P-18C

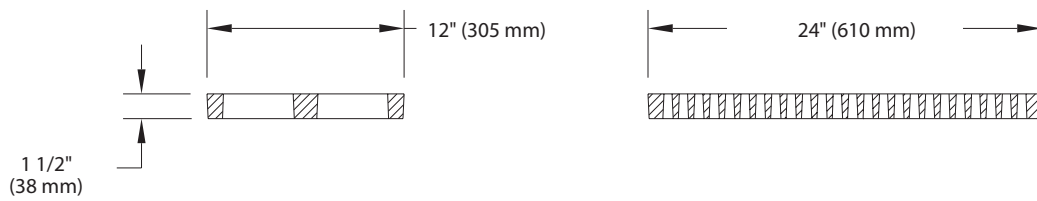
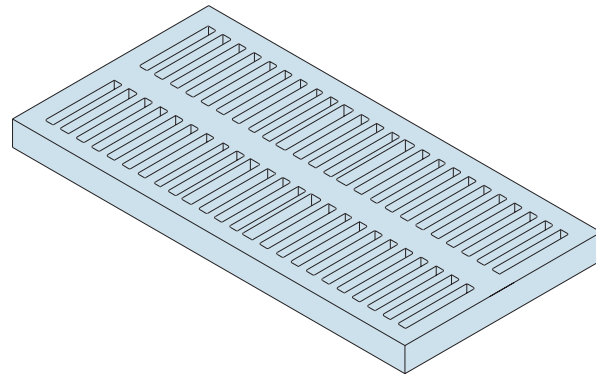


	SURFACE OPENING	
	inch ²	cm ²
GRATE	95	612

	MATERIAL	LBS	KG
FRAME	GREY IRON	385	175
GRATE P-18A	GREY & DUCTILE IRON	54	25

(APPROX.)

P-19E



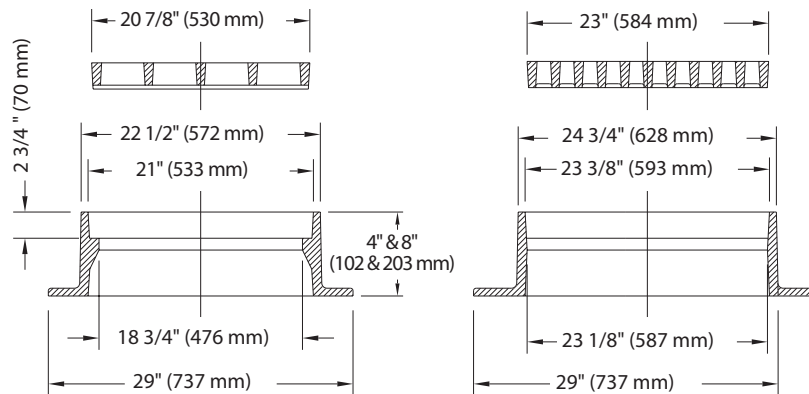
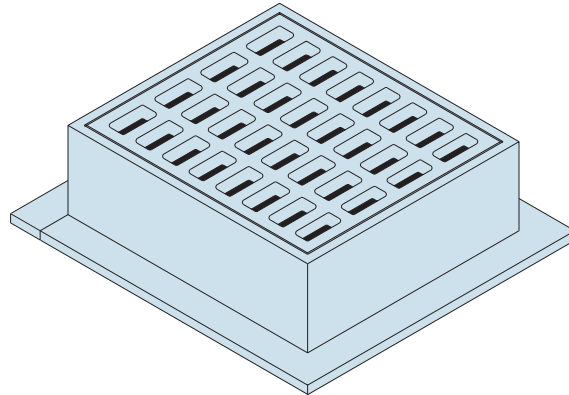
GRATE	SURFACE OPENING	
	inch ²	cm ²
	102	660

GRATE	MATERIAL	LBS	KG
		GREY IRON	67

(APPROX.)

IMPORTANT: The model numbers refer to the frames. Each piece is sold separately.

P-21



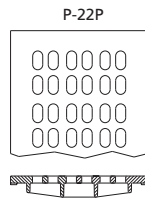
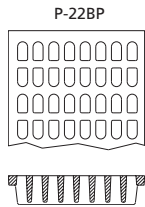
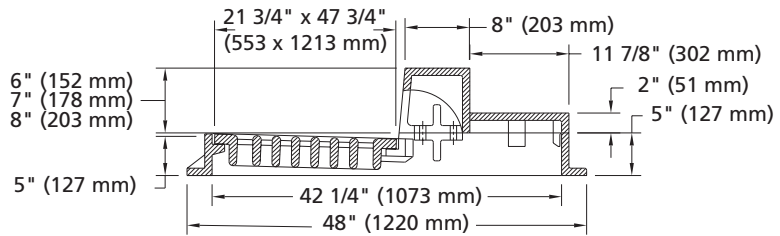
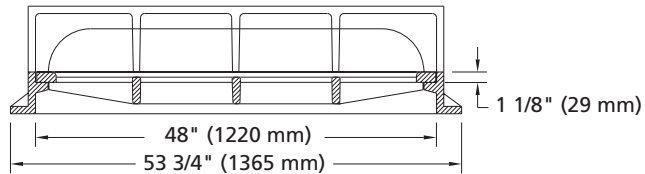
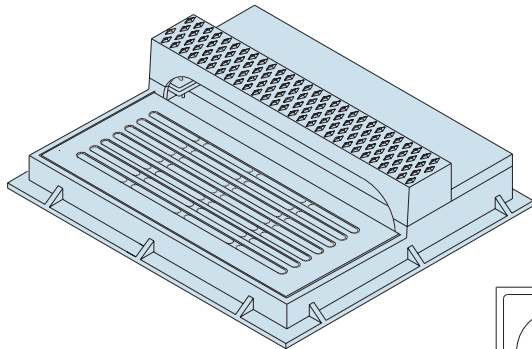
	SURFACE OPENING	
	inch ²	cm ²
GRATE P-21	246	1,584
GRATE P-21L	360	2,323

	MATERIAL	LBS	KG
FRAME 4≤ (102 mm) 3 FL	GREY IRON	145	66
FRAME 4≤ (102 mm) 4 FL	GREY IRON	150	68
FRAME 8≤ (203 mm) 3 FL	GREY IRON	200	91
FRAME 8≤ (203 mm) 4 FL	GREY IRON	218	99
GRATE P-21	GREY IRON	120	55
GRATE P-21L	GREY IRON	85	39

(APPROX.)

IMPORTANT: The model numbers refer to the frames. Each piece is sold separately.

P-22



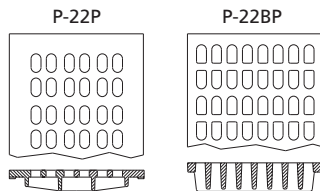
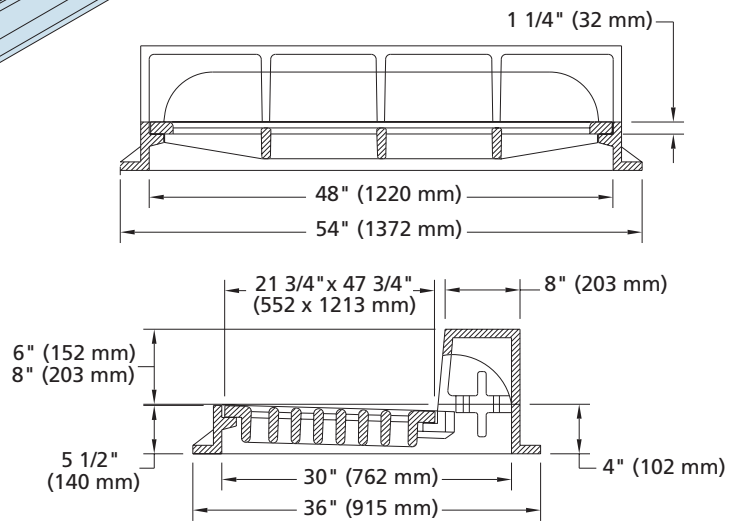
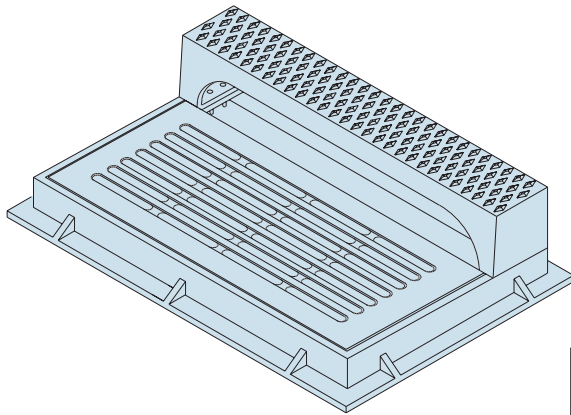
	SURFACE OPENING	
	inch ²	cm ²
GRATE P-22BP	454	2,924
GRATE P-22P	360	2,326
GRATE P-22	406	2,618

	MATERIAL	LBS	KG
FRAME	GREY IRON	317	144
CURB 6≤ (152 mm)	GREY IRON	180	82
CURB 8≤ (203 mm)	GREY IRON	200	91
GRATE P-22BP	GREY IRON	330	150
GRATE P-22P	GREY IRON	245	111
GRATE P-22	GREY IRON	360	164
BACK PLATE	GREY IRON	125	57

(APPROX.)

IMPORTANT: The model numbers refer to the frames. Each piece is sold separately.

P-22A



	SURFACE OPENING	
	inch ²	cm ²
GRATE P-22BP	454	2,924
GRATE P-22P	360	2,326
GRATE P-22	406	2,618

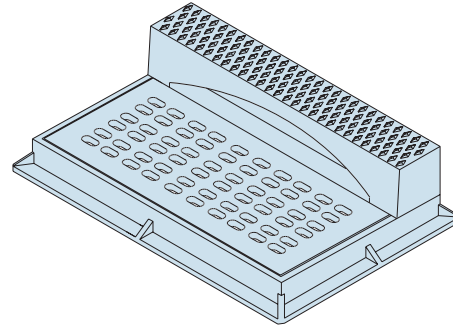
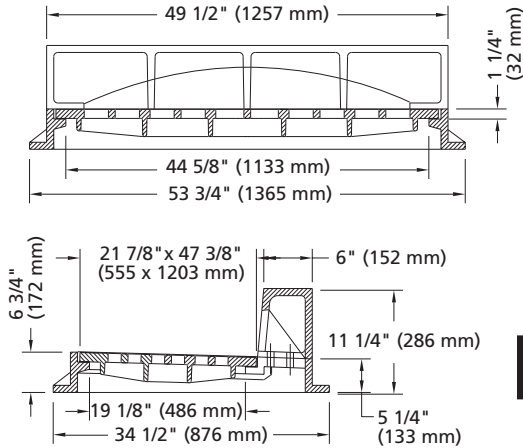
	MATERIAL	LBS	KG
FRAME	GREY IRON	250	114
CURB 6 \leq (152 mm)	GREY IRON	180	82
CURB 8 \leq (203 mm)	GREY IRON	200	91
GRATE P-22BP	GREY IRON	330	150
GRATE P-22P	GREY IRON	245	111
GRATE P-22	GREY IRON	360	164

(APPROX.)

FRAMES AND GRATES

IMPORTANT: The model numbers refer to the frames. Each piece is sold separately.

P-22B

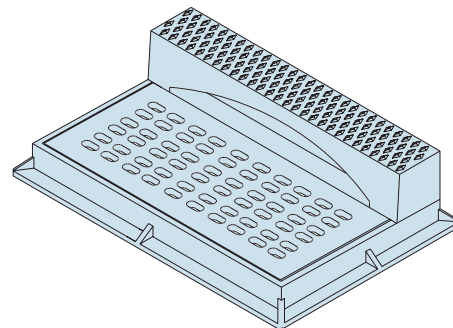
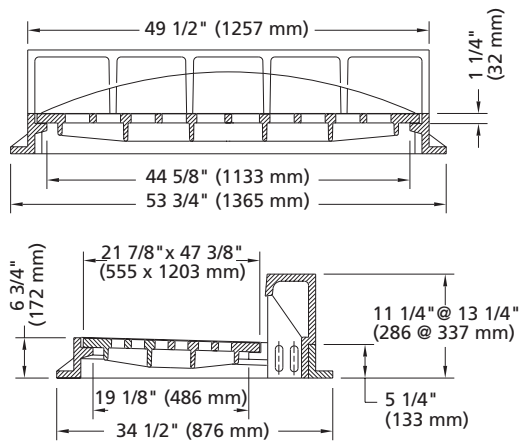


	SURFACE OPENING	
	inch ²	cm ²
GRATE	230	1,480

	MATERIAL	LBS	KG
FRAME	GREY IRON	330	150
CURB	GREY IRON	165	75
GRATE	GREY IRON	260	118

P-22F

ADJUSTABLE CURB



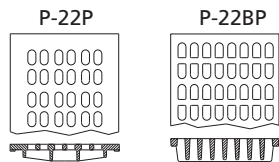
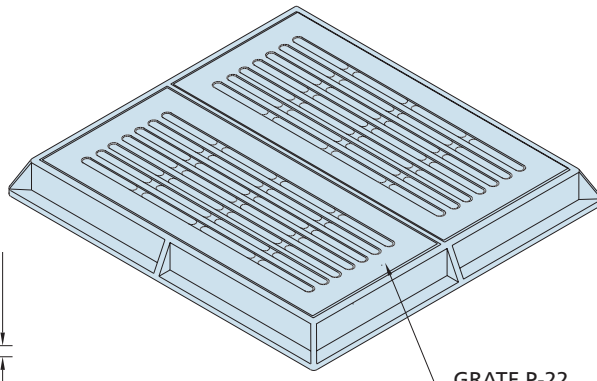
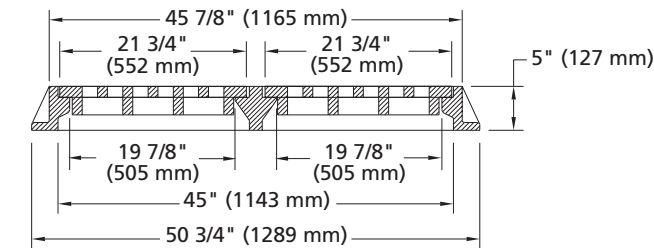
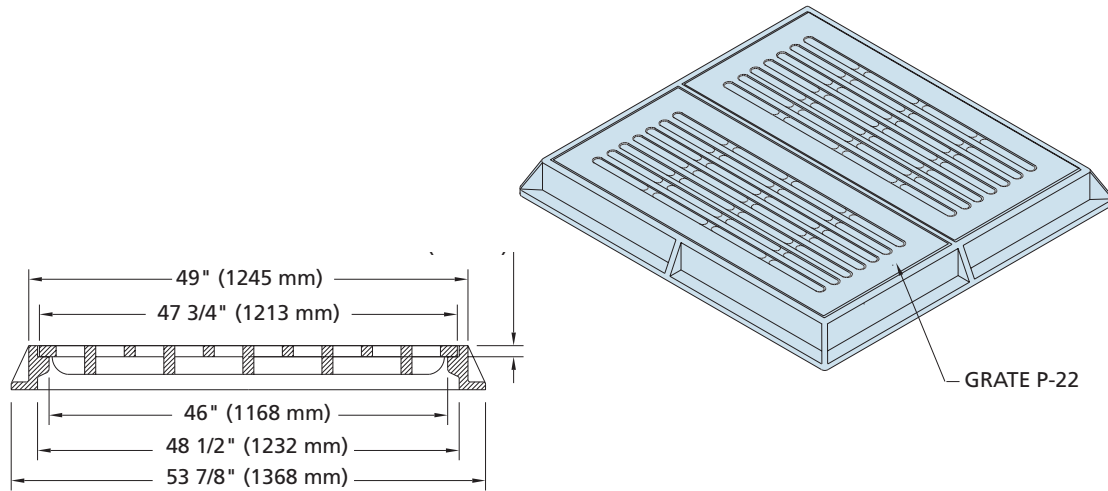
	SURFACE OPENING	
	inch ²	cm ²
GRATE P-22B	230	1,480

	MATERIAL	LBS	KG
FRAME	GREY IRON	330	150
CURB	GREY IRON	215	98
GRATE P-22B	GREY IRON	260	118

(APPROX.)

IMPORTANT: The model numbers refer to the frames. Each piece is sold separately.

P-23



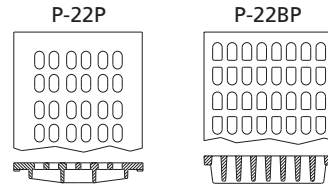
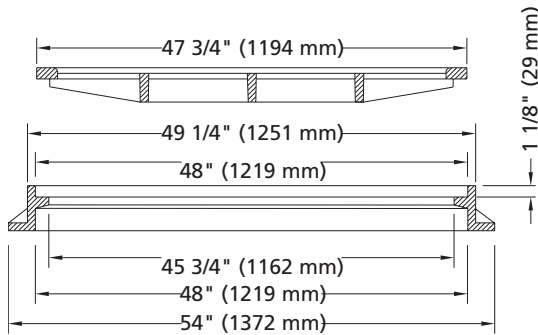
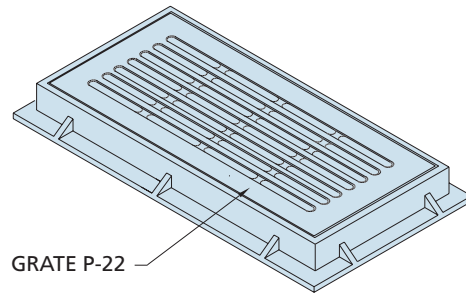
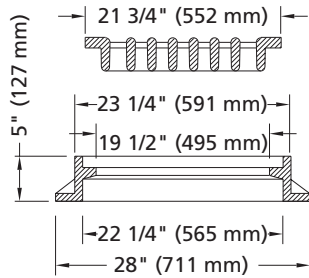
	SURFACE OPENING	
	inch ²	cm ²
GRATE P-22BP	454	2,924
GRATE P-22P	360	2,326
GRATE P-22	406	2,618

	MATERIAL	LBS	KG
FRAME	GREY IRON	320	145
GRATE P-22BP	GREY IRON	330	150
GRATE P-22P	GREY IRON	245	111
GRATE P-22	GREY IRON	360	164

(APPROX.)

IMPORTANT: The model numbers refer to the frames. Each piece is sold separately.

P-23A



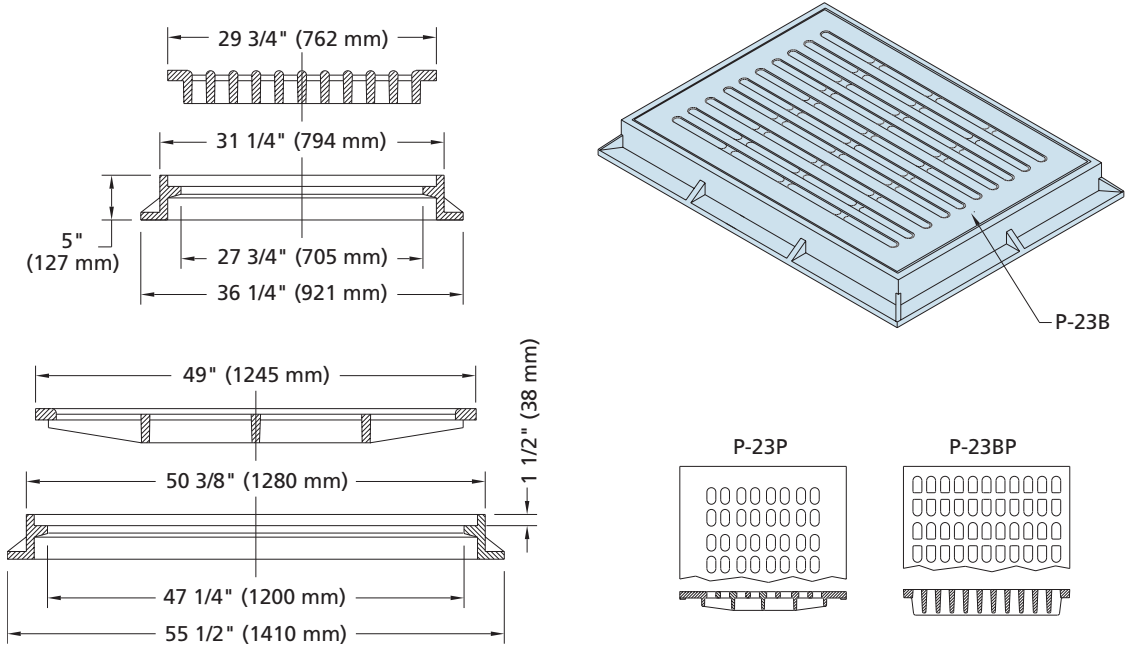
	SURFACE OPENING	
	inch ²	cm ²
GRATE P-22BP	454	2,924
GRATE P-22P	360	2,326
GRATE P-22	406	2,618

	MATERIAL	LBS	KG
FRAME	GREY IRON	210	95
GRATE P-22BP	GREY IRON	330	150
GRATE P-22P	GREY IRON	245	111
GRATE P-22	GREY IRON	360	164

(APPROX.)

IMPORTANT: The model numbers refer to the frames. Each piece is sold separately.

P-23B



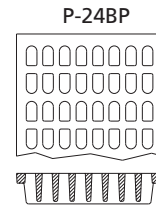
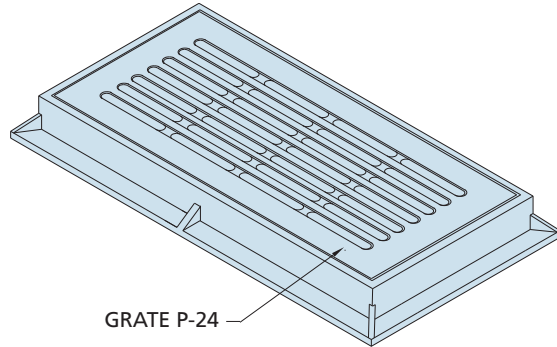
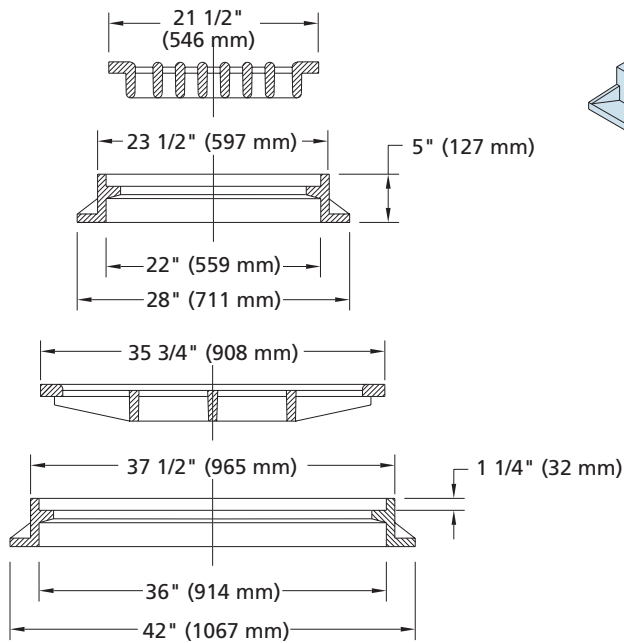
	SURFACE OPENING	
	inch ²	cm ²
GRATE P-23B	580	3,735
GRATE P-23PB	685	4,410
GRATE P-23P	540	3,488

	MATERIAL	LBS	KG
FRAME	GREY IRON	255	116
GRATE P-23B	GREY IRON	460	209
GRATE P-23BP	GREY IRON	435	198
GRATE P-23P	GREY IRON	340	155

(APPROX.)

IMPORTANT: The model numbers refer to the frames. Each piece is sold separately.

P-23C



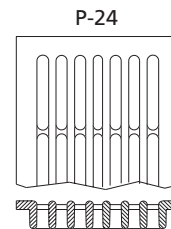
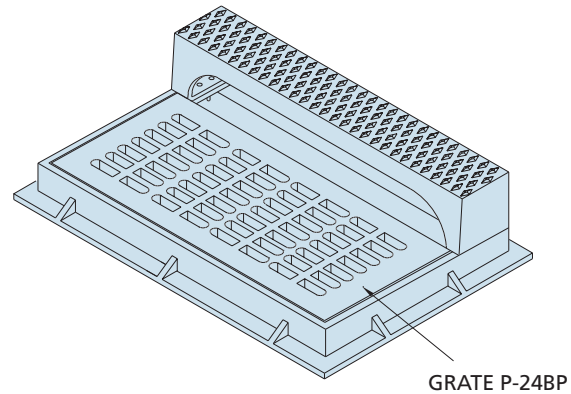
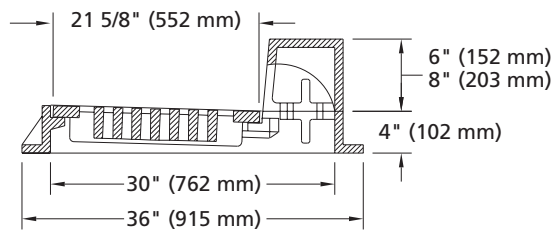
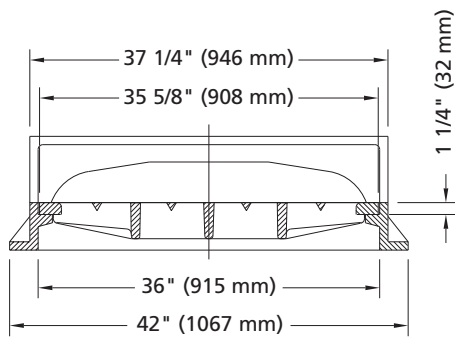
	SURFACE OPENING	
	inch ²	cm ²
GRATE P-24BP	217	1,397
GRATE P-24	275	1,772

	MATERIAL	LBS	KG
FRAME	GREY IRON	190	86
GRATE P-24BP	GREY IRON	270	123
GRATE P-24	GREY IRON	270	123

(APPROX.)

IMPORTANT: The model numbers refer to the frames. Each piece is sold separately.

P-24A



	SURFACE OPENING	
	inch ²	cm ²
GRATE P-24BP	217	1,397
GRATE P-24	275	1,772

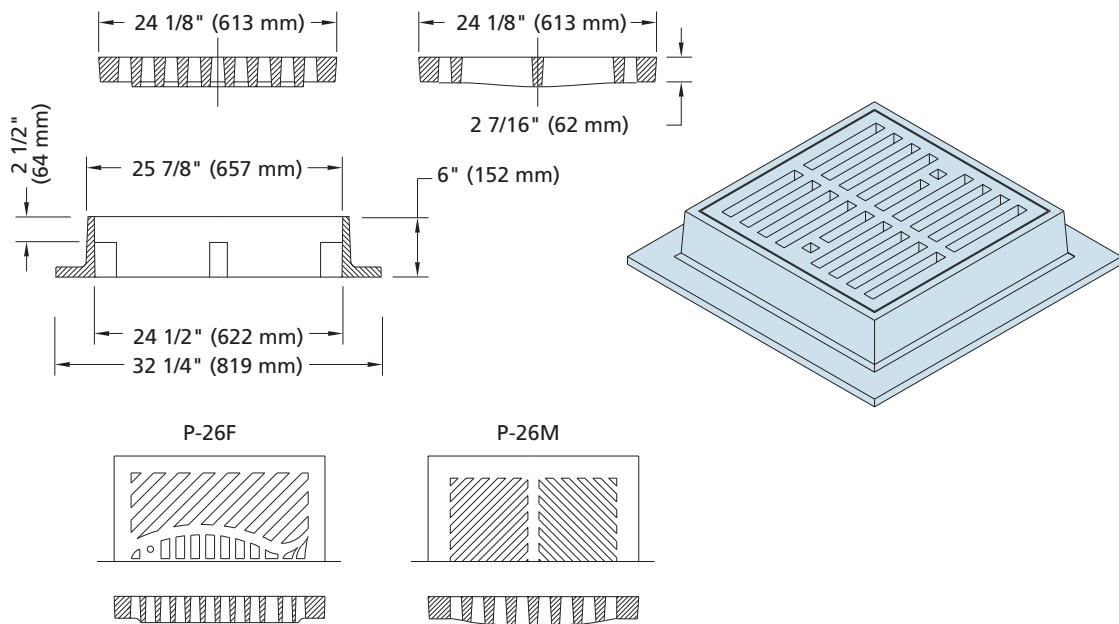
	MATERIAL	LBS	KG
FRAME	GREY IRON	240	109
CURB 6" (152 mm)	GREY IRON	145	66
CURB 8" (203 mm)	GREY IRON	165	75
GRATE P-24BP	GREY IRON	270	123
GRATE P-24	GREY IRON	270	123

(APPROX.)

FRAMES AND GRATES

IMPORTANT: The model numbers refer to the frames. Each piece is sold separately.

P-26 / P-26F / P-26M



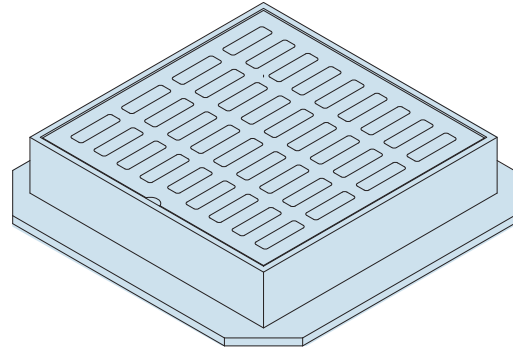
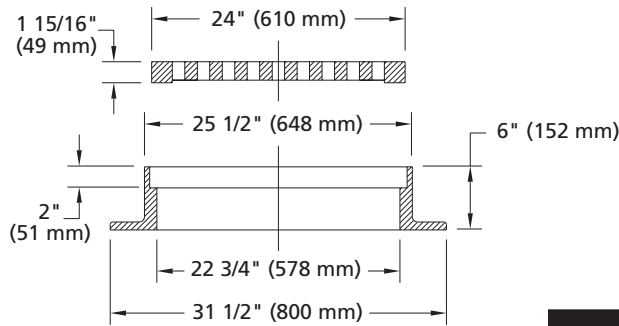
	SURFACE OPENING	
	inch ²	cm ²
GRATE P-26	113	729
GRATE P-26M	138	894
GRATE P-26F	175	1,127

	MATERIAL	LBS	KG
FRAME	GREY IRON	260	118
GRATE P-26	GREY IRON	240	109
GRATE P-26M	GREY IRON	230	105
GRATE P-26F	GREY IRON	230	105

(APPROX.)

IMPORTANT: The model numbers refer to the frames. Each piece is sold separately.

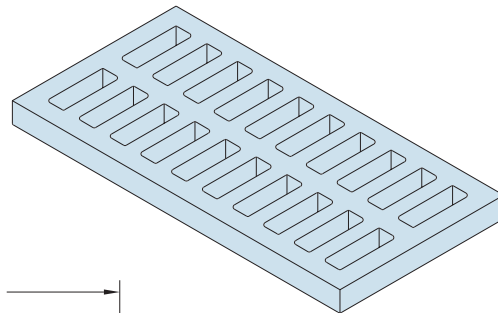
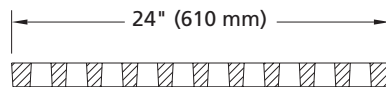
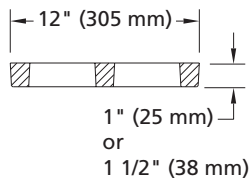
P-27



	SURFACE OPENING	
	inch ²	cm ²
GRATE	194	1,251

	MATERIAL	LBS	KG
FRAME	GREY IRON	235	107
GRATE	GREY IRON	175	80

P-28-1

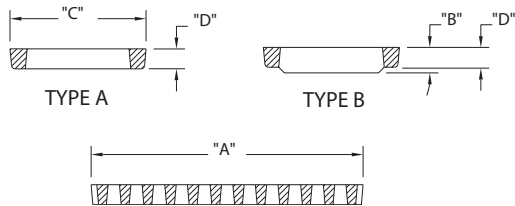
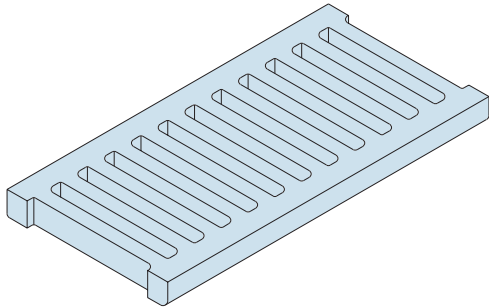


	SURFACE OPENING	
	inch ²	cm ²
GRATE	84	540

	MATERIAL	LBS	KG
GRATE	GREY IRON	70	32

(APPROX.)

P-29



	SURFACE OPENING	
	inch ²	cm ²
P-29	91	587
P-29-1	54	347
P-29-2	97	622
P-29-3	149	962
P-29-4	205	1,320
P-29-5	196	1,260
P-29-7	134	863
P-29-8	226	1,456
P-29-9	306	1,970
P-29-10	205	1,320
P-29-11	418	2,690

	MATERIAL	LBS	KG
P-29	GREY IRON	72	33
P-29-1	GREY IRON	60	27
P-29-2	GREY IRON	75	34
P-29-3	GREY IRON	110	50
P-29-4	GREY IRON	110	50
P-29-5	GREY IRON	115	52
P-29-7	GREY IRON	120	55
P-29-8	GREY IRON	190	86
P-29-9	GREY IRON	200	91
P-29-10	GREY IRON	230	105
P-29-11	GREY IRON	295	134

(APPROX.)

P-29 (CONT)

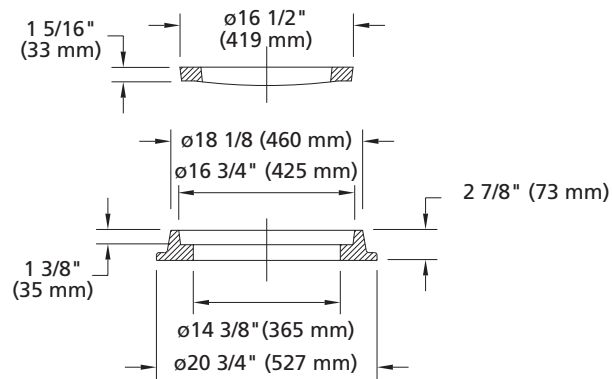
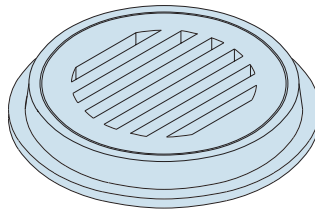
No.	TYPE	DIMENSIONS (in.)			
		A	B	C	D
P-29	A	24	2	11	2
P-29-1	B	14	2 1/4	12	1 3/4
P-29-2	B	24	2	11 7/8	1 3/4
P-29-3	B	36	2	12	1 3/4
P-29-4	A	37 3/4	1 1/2	14 1/2	1 1/2
P-29-5	A	36	1 1/2	14 3/4	1 1/2
P-29-7	A	36	1 3/4	15 1/4	1 3/4
P-29-8	A	38 3/4	2	17 1/2	2
P-29-9	B	37 3/4	2	20 1/2	1 1/2
P-29-10	B	35 7/8	2	21 1/4	1 3/4
P29-11	B	37 3/4	2 5/8	26 3/8	1 1/2

No.	TYPE	DIMENSIONS (mm)			
		A	B	C	D
P-29	A	610	51	279	51
P-29-1	B	356	57	305	44
P-29-2	B	610	51	302	44
P-29-3	B	914	51	305	44
P-29-4	A	959	38	368	38
P-29-5	A	914	38	375	38
P-29-7	A	914	44	387	44
P-29-8	A	984	51	445	51
P-29-9	B	959	51	521	38
P-29-10	B	914	51	540	44
P-29-11	B	959	67	670	38

(APPROX.)

IMPORTANT: The model numbers refer to the frames. Each piece is sold separately.

P-29R

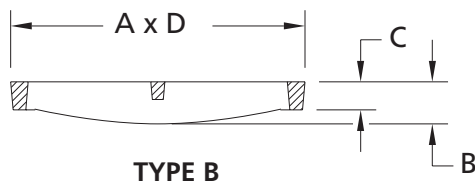
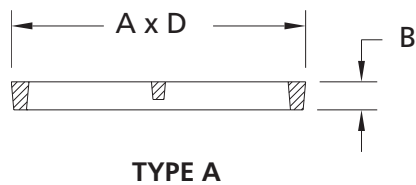
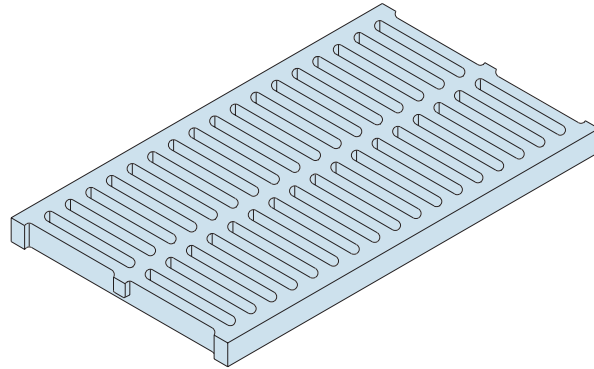


	SURFACE OPENING	
	inch ²	cm ²
GRATE	75	784

	MATERIAL	LBS	KG
FRAME	GREY IRON	60	27
GRATE	GREY IRON	45	21

(APPROX.)

P-31 / P-31-1



	SURFACE OPENING	
	inch ²	cm ²
GRATE P-31	290	1,869
GRATE P-31-1	401	2,580

	MATERIAL	LBS	KG
GRATE P-31	GREY IRON	75	34
GRATE P-31-1	GREY IRON	255	116

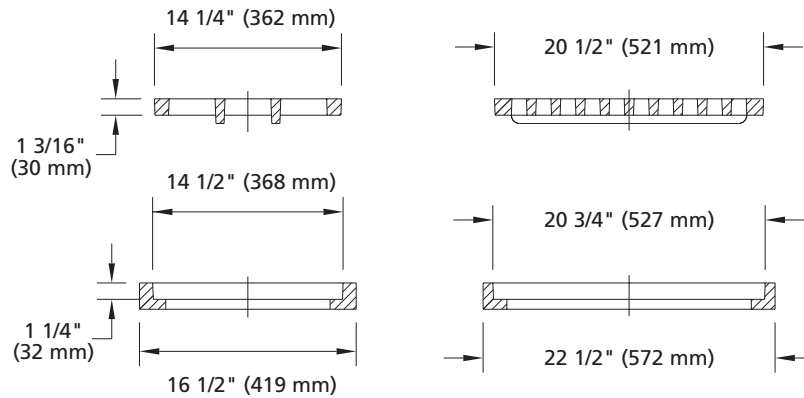
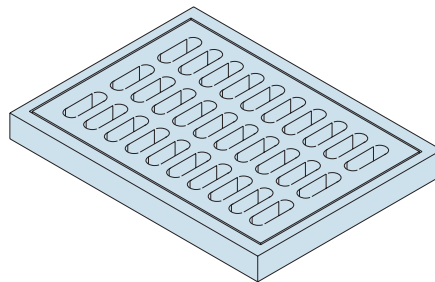
No.	TYPE	DIMENSIONS (in.)			
		A	B	C	D
P-31	A	21	2	X	36
P-31-1	B	26 7/8	3	2	36

No.	TYPE	DIMENSIONS (mm)			
		A	B	C	D
P-31	A	533	51	X	914
P-31-1	B	683	76	51	914

(APPROX.)

IMPORTANT: The model numbers refer to the frames. Each piece is sold separately.

P-32

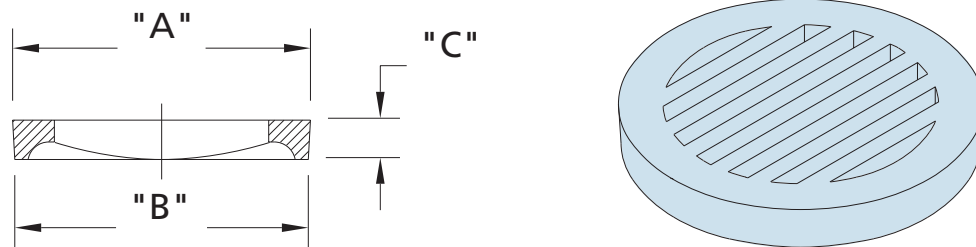


	SURFACE OPENING	
	inch ²	cm ²
GRATE	107	689

	MATERIAL	LBS	KG
FRAME	GREY IRON	65	30
GRATE	GREY IRON	65	30

(APPROX.)

P-33-1 / P-33-2



	SURFACE OPENING	
	inch ²	cm ²
GRATE P-33-1	32	206
GRATE P-33-2	60	386

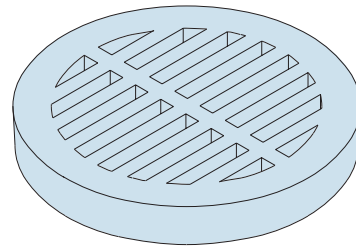
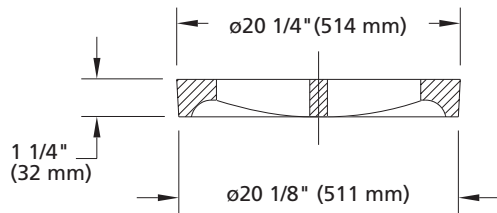
	MATERIAL	LBS	KG
GRATE P-33-1	GREY IRON	42	19
GRATE P-33-2	GREY IRON	70	32

No.	DIMENSIONS (in.)		
	A	B	C
P-33-1	ø14	ø13 5/8	1 3/4
P-33-2	ø16 7/8	ø16 3/4	2 1/4

No.	DIMENSIONS (mm)		
	A	B	C
P-33-1	ø356	ø346	44
P-33-2	ø429	ø425	57

(APPROX.)

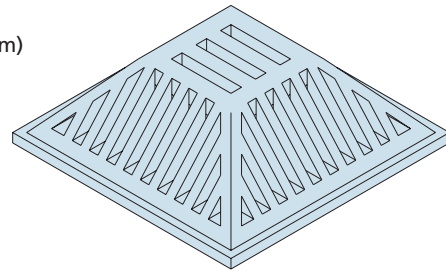
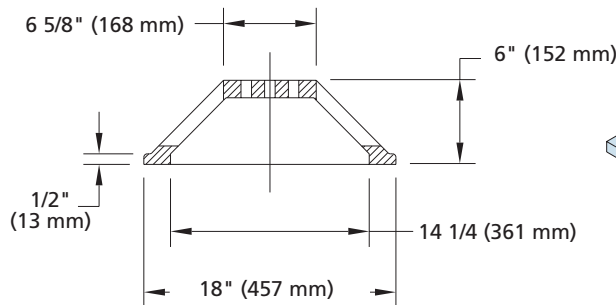
P-33-3



	SURFACE OPENING	
	inch ²	cm ²
GRATE	90	580

GRATE	MATERIAL	LBS	KG
		GREY IRON	100

P-33-4



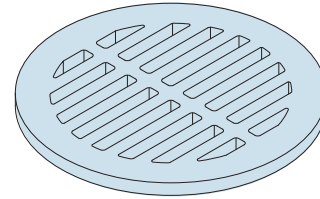
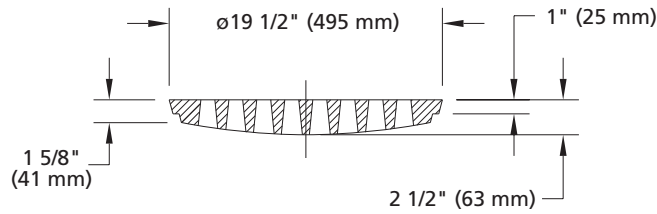
	SURFACE OPENING	
	inch ²	cm ²
GRATE	114	736

GRATE	MATERIAL	LBS	KG
		GREY IRON	50

(APPROX.)

IMPORTANT: The model numbers refer to the frames. Each piece is sold separately.

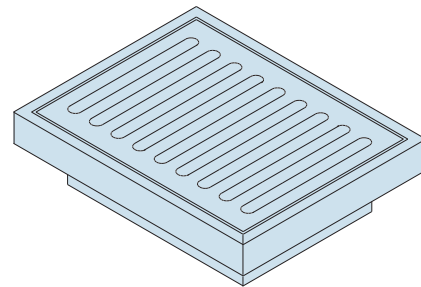
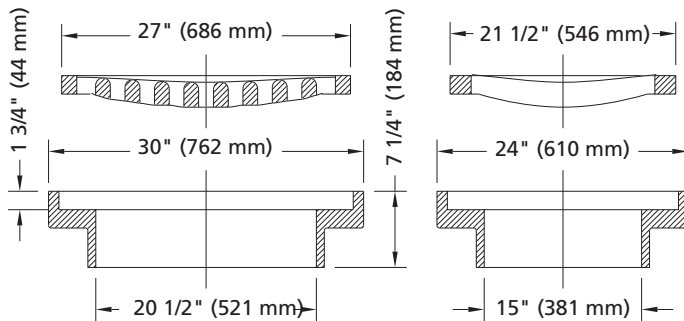
P-33-5



	SURFACE OPENING	
	inch ²	cm ²
GRATE	90	580

	MATERIAL	LBS	KG
GRATE	GREY IRON	75	34

P-35



	SURFACE OPENING	
	inch ²	cm ²
GRATE	235	1,515

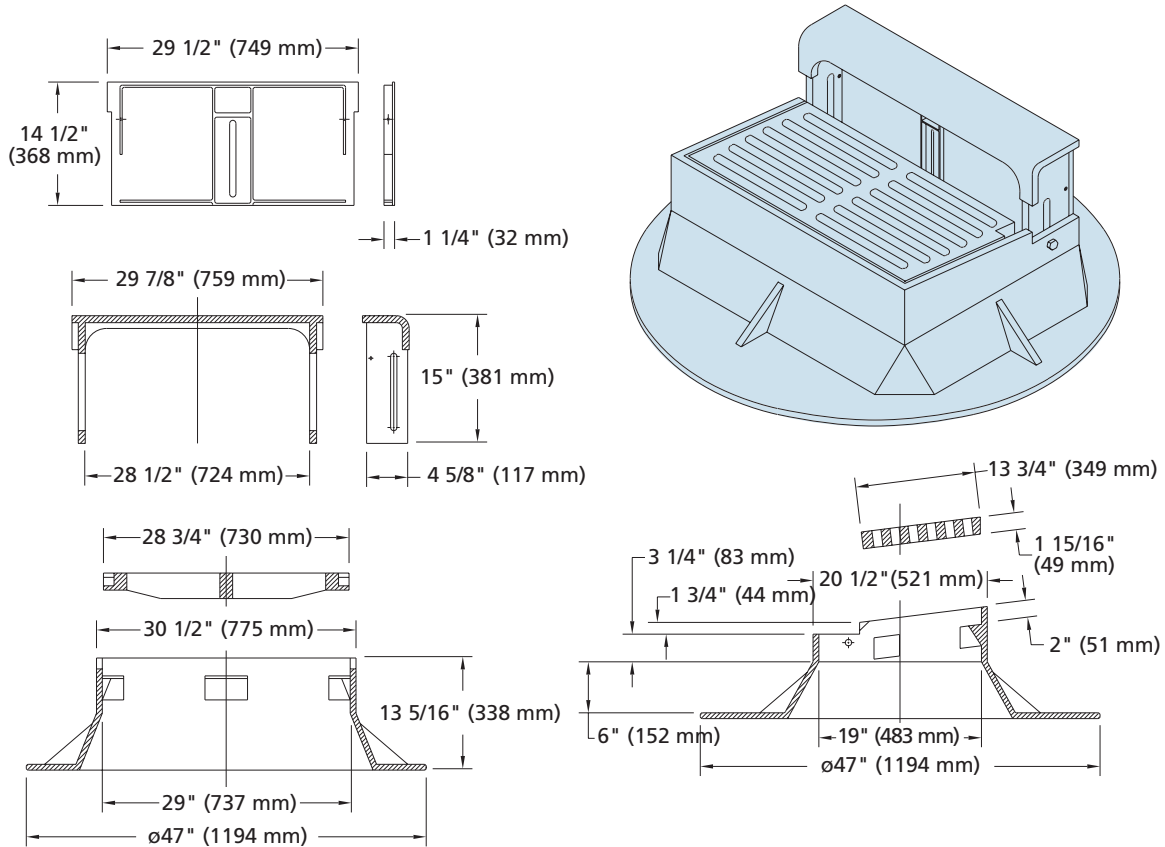
	MATERIAL	LBS	KG
FRAME	GREY IRON	265	120
GRATE	GREY IRON	185	84

(APPROX.)

IMPORTANT: The model numbers refer to the frames. Each piece is sold separately.

P-35MDC

ADJUSTABLE CURB



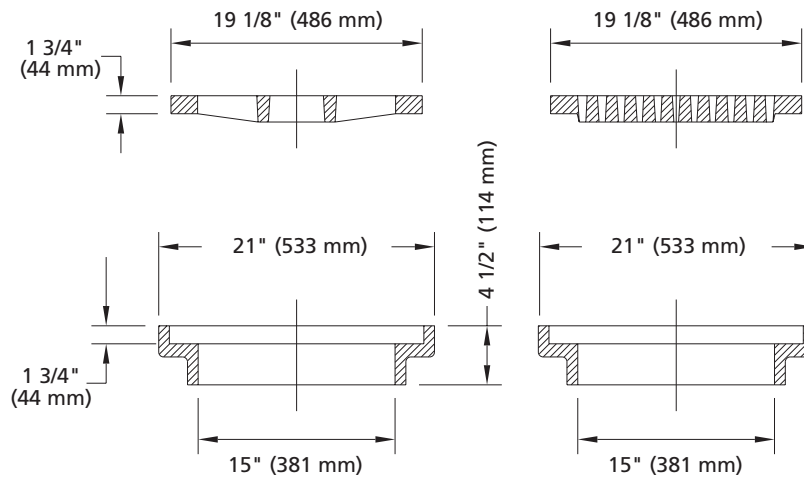
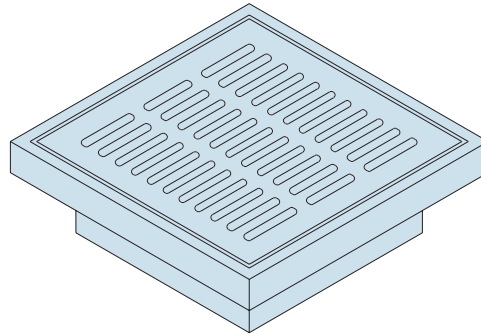
	SURFACE OPENING	
	inch ²	cm ²
GRATE	142	914

	MATERIAL	LBS	KG
FRAME	GREY IRON	440	200
CURB	GREY IRON	90	41
GRATE	GREY IRON	155	71
BACK PLATE	GREY IRON	45	20

(APPROX.)

IMPORTANT: The model numbers refer to the frames. Each piece is sold separately.

P-36

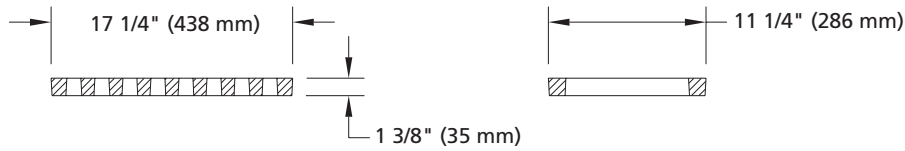
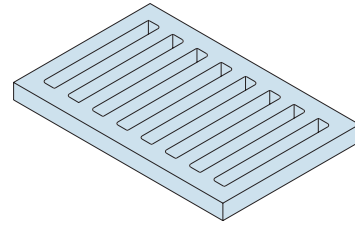


	SURFACE OPENING	
	inch ²	cm ²
GRATE	74	477

	MATERIAL	LBS	KG
FRAME	GREY IRON	120	55
GRATE	GREY IRON	100	46

(APPROX.)

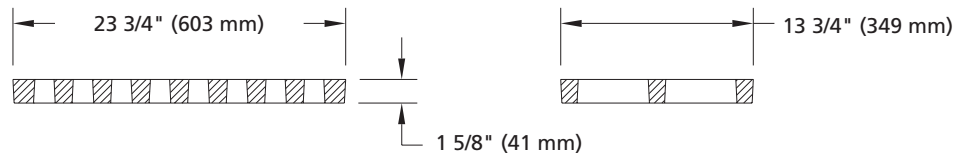
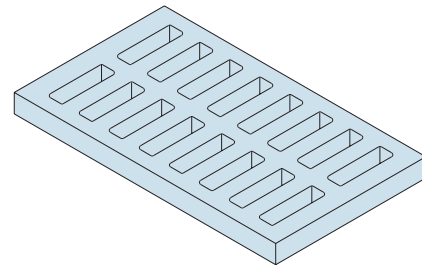
P-37-1



	SURFACE OPENING	
	inch ²	cm ²
GRATE	72	464

	MATERIAL	LBS	KG
GRATE	GREY IRON	39	18

P-37-2

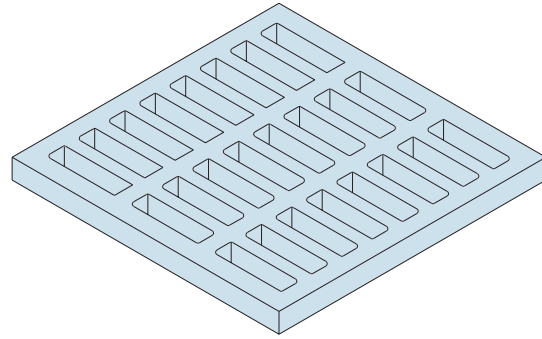
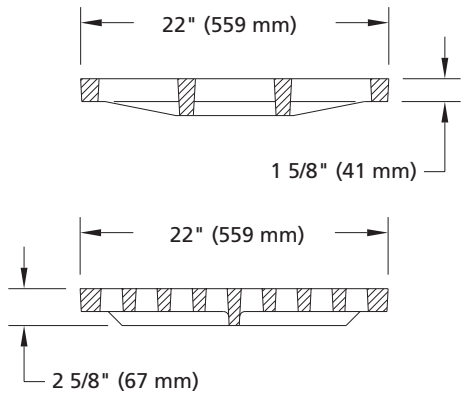


	SURFACE OPENING	
	inch ²	cm ²
GRATE	74	480

	MATERIAL	LBS	KG
GRATE	GREY IRON	85	39

(APPROX.)

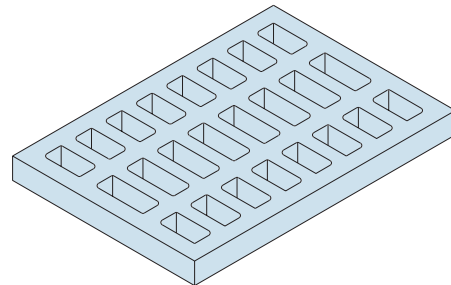
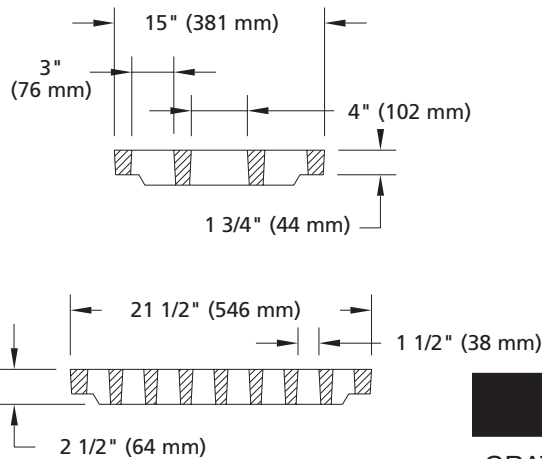
P-39-1



	SURFACE OPENING	
	inch ²	cm ²
GRATE	195	1,260

	MATERIAL	LBS	KG
GRATE	GREY & DUCTILE IRON	130	59

P-39-2



	SURFACE OPENING	
	inch ²	cm ²
GRATE	120	775

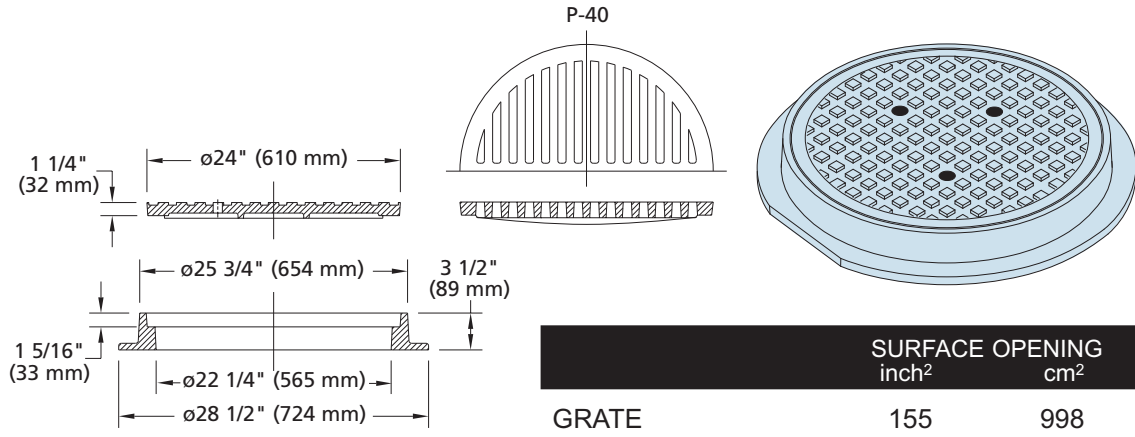
	MATERIAL	LBS	KG
GRATE	GREY IRON	110	50

(APPROX.)

FRAMES AND GRATES

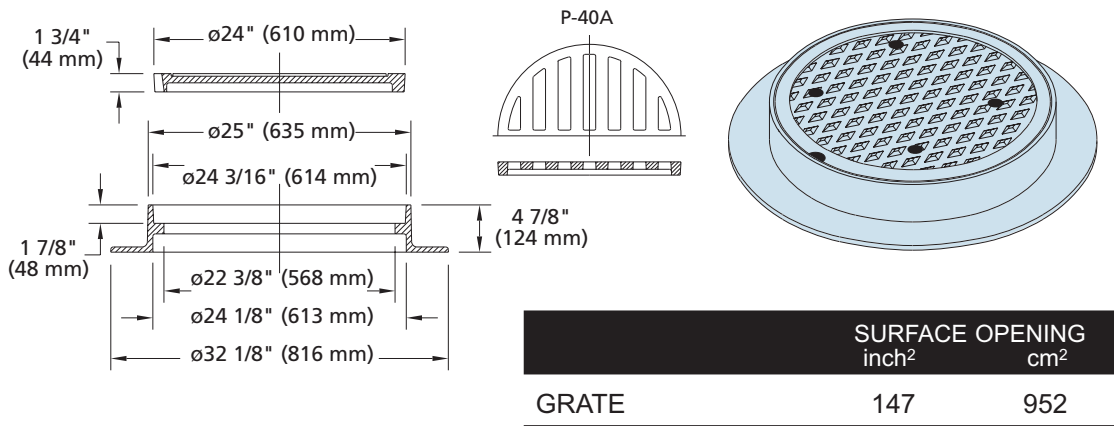
IMPORTANT: The model numbers refer to the frames. Each piece is sold separately.

P-40



	MATERIAL	LBS	KG
FRAME	GREY IRON	120	55
COVER	GREY IRON	105	48
GRATE	GREY IRON	105	48

P-40A

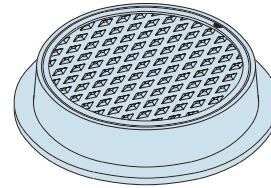
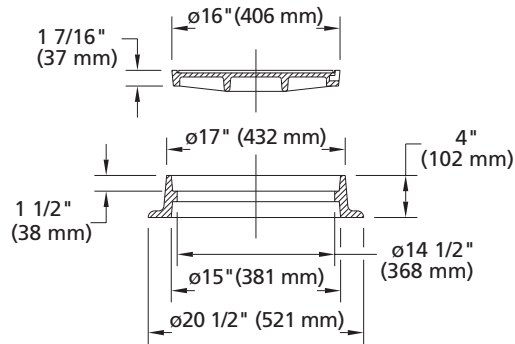


	MATERIAL	LBS	KG
FRAME	GREY IRON	120	55
COVER	GREY IRON	95	43
GRATE	GREY IRON	95	43

(APPROX.)

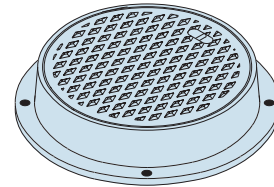
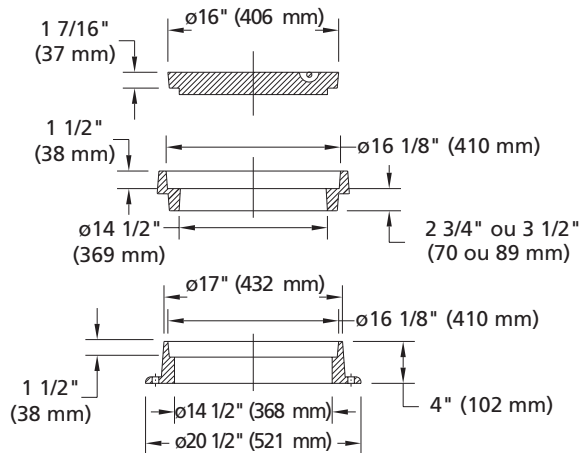
IMPORTANT: The model numbers refer to the frames. Each piece is sold separately.

P-40B



	MATERIAL	LBS	KG
FRAME	GREY IRON	50	23
COVER	GREY IRON	45	21

P-40BH

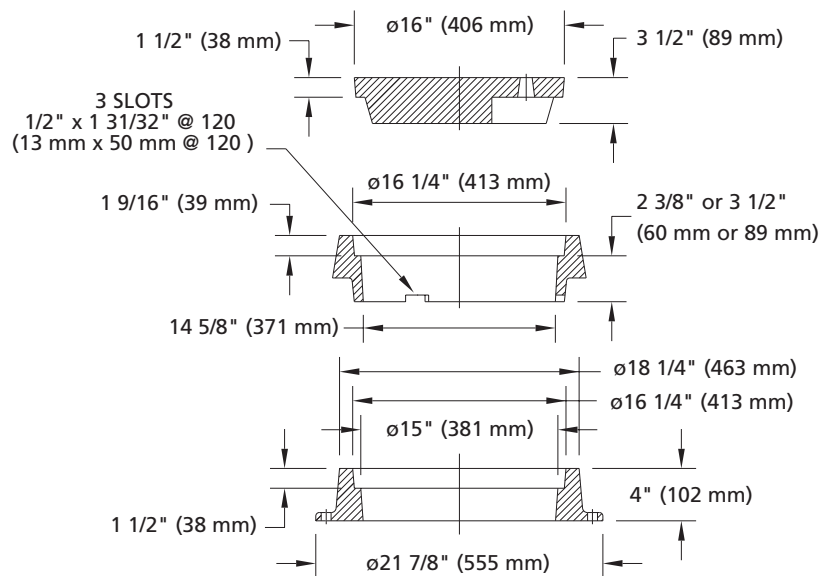
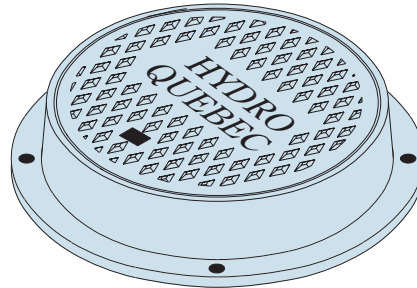


	MATERIAL	LBS	KG
FRAME	GREY IRON	55	25
COVER	GREY IRON	95	43
RISER 2 3/4" (70 mm)	GREY IRON	75	34
RISER 3 1/2" (89 mm)	GREY IRON	95	43

(APPROX.)

IMPORTANT: The model numbers refer to the frames. Each piece is sold separately.

P-40BHQ

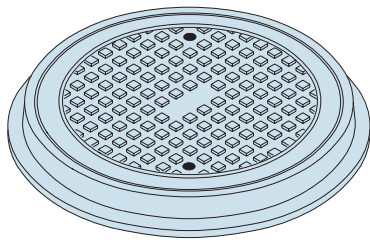


	MATERIAL	LBS	KG
FRAME #1007295	GREY IRON	105	48
COVER #1007110	GREY IRON	135	61
RISER $2\frac{3}{8}'' \leq$ (60 mm) #1007050	GREY IRON	75	34
RISER $3\frac{1}{2}'' \leq$ (89 mm) #1007058	GREY IRON	95	43

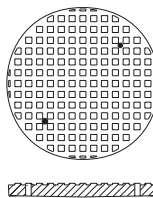
(APPROX.)

IMPORTANT: The model numbers refer to the frames. Each piece is sold separately.

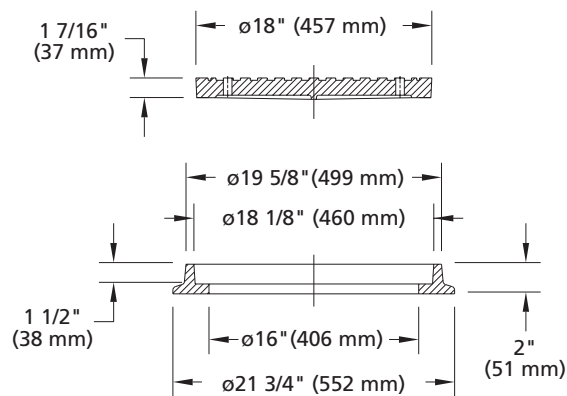
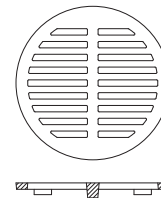
P-41A



S-29V22



P-41A



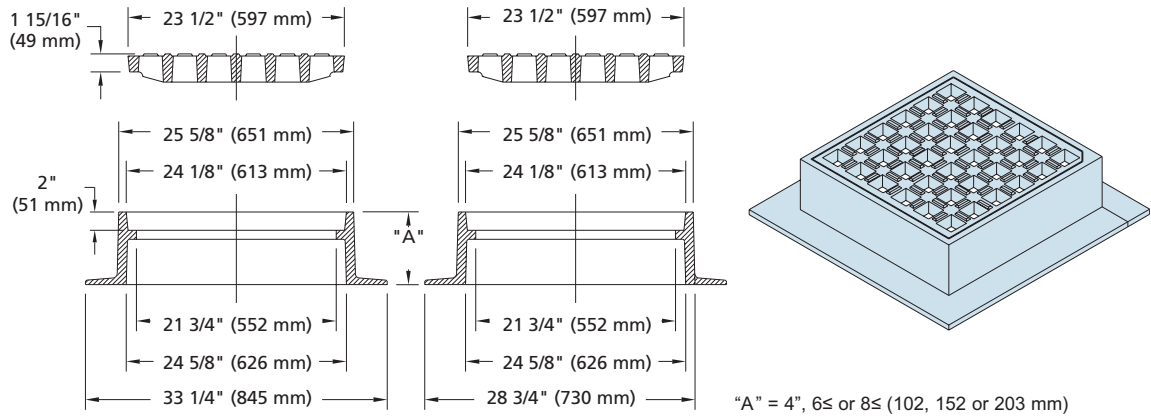
	SURFACE OPENING	
	inch ²	cm ²
GRATE P-41A	82	528

	MATERIAL	LBS	KG
FRAME	GREY IRON	40	18
COVER	GREY IRON	35	16
COVER S-29V22	GREY IRON	70	32
GRATE P-41A	GREY IRON	40	18

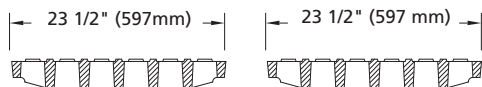
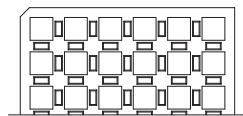
(APPROX.)

IMPORTANT: The model numbers refer to the frames. Each piece is sold separately.

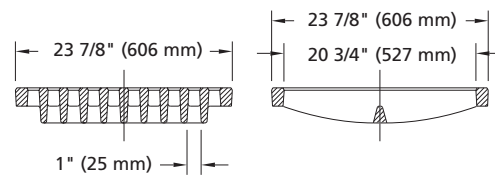
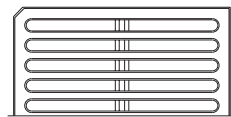
P-42



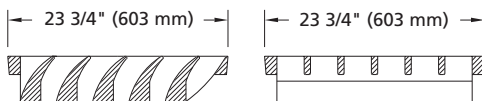
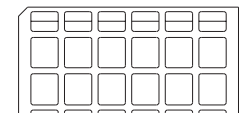
P-42



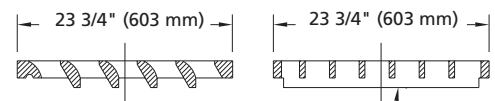
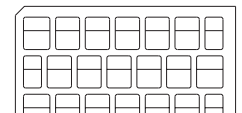
P-42A



P-48



P-48M



AVAILABLE WITH 1, 2 & 4 (BEVELED CORNERS)

(APPROX.)

IMPORTANT: The model numbers refer to the frames. Each piece is sold separately.

P-42 (CONT)

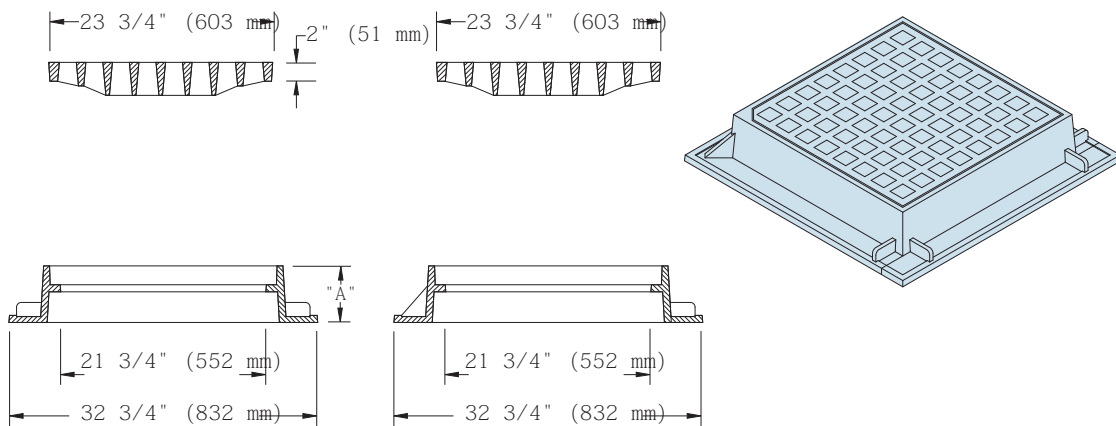
	SURFACE OPENING	
	inch ²	cm ²
GRATE P-42	225	1,454
GRATE P-42A	208	1,341
GRATE P-48	276	1,786
GRATE P-48M	249	1,604

	MATERIAL	LBS	KG
FRAME 8≤ (203 mm) 4 FL	GREY IRON	292	133
FRAME 8≤ (203 mm) 3 FL	GREY IRON	280	127
FRAME 8≤ (203 mm) 2 FL	GREY IRON	275	125
FRAME 6≤ (152 mm) 4 FL	GREY IRON	215	98
FRAME 6≤ (152 mm) 3 FL	GREY IRON	210	96
FRAME 6≤ (152 mm) 2 FL	GREY IRON	205	93
FRAME 4≤ (102 mm) 4 FL	GREY IRON	175	80
FRAME 4≤ (102 mm) 3 FL	GREY IRON	165	75
FRAME 4≤ (102 mm) 2 FL	GREY IRON	165	75
GRATE P-42	GREY IRON	183	83
GRATE P-42A	GREY IRON	205	93
GRATE P-48	GREY IRON	275	125
GRATE P-48M	GREY IRON	182	83

(APPROX.)

IMPORTANT: The model numbers refer to the frames. Each piece is sold separately.

P-42L (LIGHT)



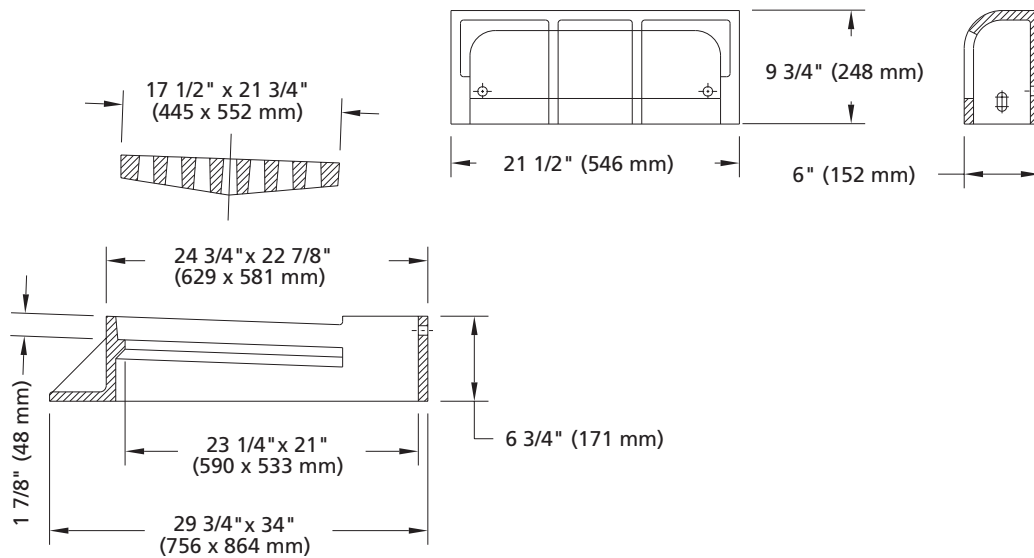
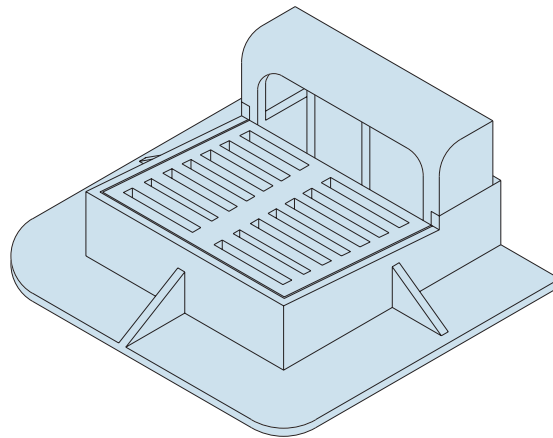
	SURFACE OPENING	
	inch ²	cm ²
GRATE P-42L	289	1,867

	MATERIAL	LBS	KG
FRAME 4 \leq (102 mm) 3 FL	GREY IRON	135	61
FRAME 4 \leq (102 mm) 4 FL	GREY IRON	175	80
FRAME 6 \leq (152 mm) 3 FL	GREY IRON	165	75
FRAME 6 \leq (152 mm) 4 FL	GREY IRON	215	98
FRAME 8 \leq (203 mm) 3 FL	GREY IRON	195	89
FRAME 8 \leq (203 mm) 4 FL	GREY IRON	206	94
GRATE P-42L	GREY IRON	174	79

(APPROX.)

IMPORTANT: The model numbers refer to the frames. Each piece is sold separately.

P-43



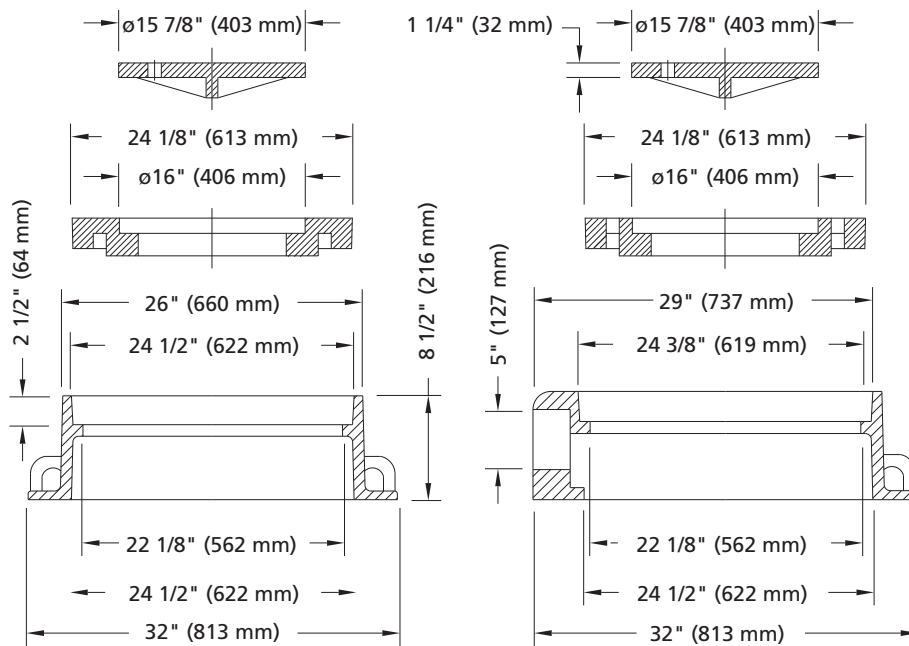
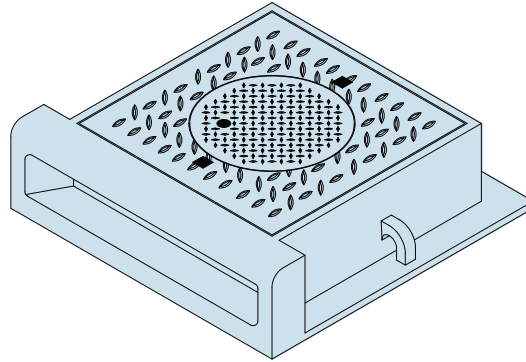
	SURFACE OPENING	
	inch ²	cm ²
GRATE	116	744

	MATERIAL	LBS	KG
FRAME	GREY IRON	218	99
GRATE	GREY IRON	125	57
CURB	GREY IRON	85	39

(APPROX.)

IMPORTANT: The model numbers refer to the frames. Each piece is sold separately.

P-43A



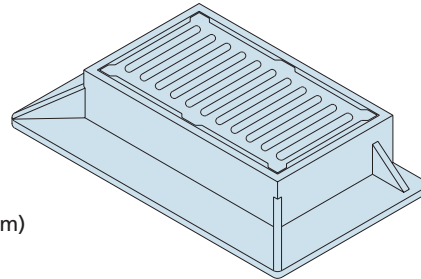
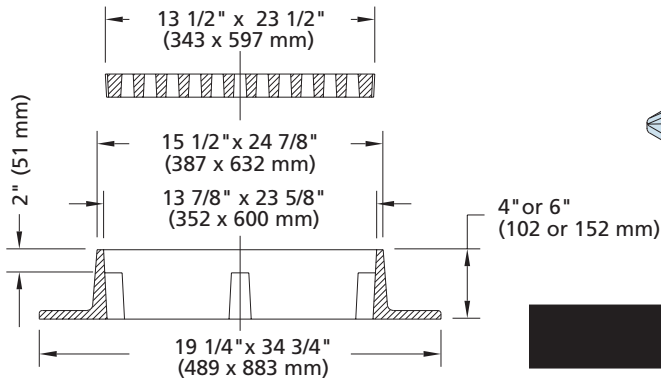
Available with bars in curb inlet

	MATERIAL	LBS	KG
FRAME	GREY IRON	340	154
PLAIN COVER P-43A	GREY IRON	160	73
COVER WITH CIRCULAR COVER P-43A-1	GREY IRON	200	91
CIRCULAR COVER P-43A-2	GREY IRON	75	34

(APPROX.)

IMPORTANT: The model numbers refer to the frames. Each piece is sold separately.

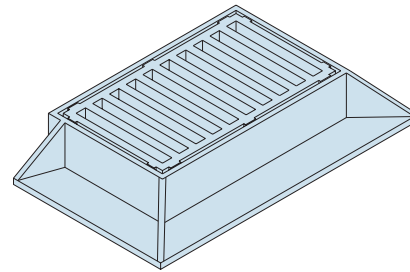
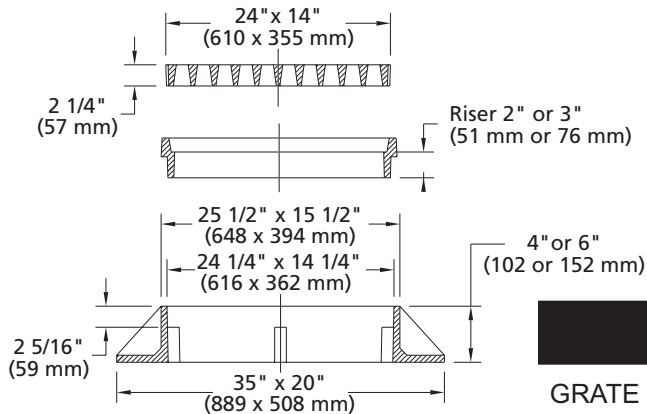
P-45



GRATE	SURFACE OPENING	
	inch ²	cm ²
	123	797

	MATERIAL	Lb.	Kg
FRAME 6 \leq (152 mm)	GREY IRON	144	65
FRAME 4 \leq (102 mm)	GREY IRON	120	54
GRATE	GREY & DUCTILE IRON	75	34

P-45A



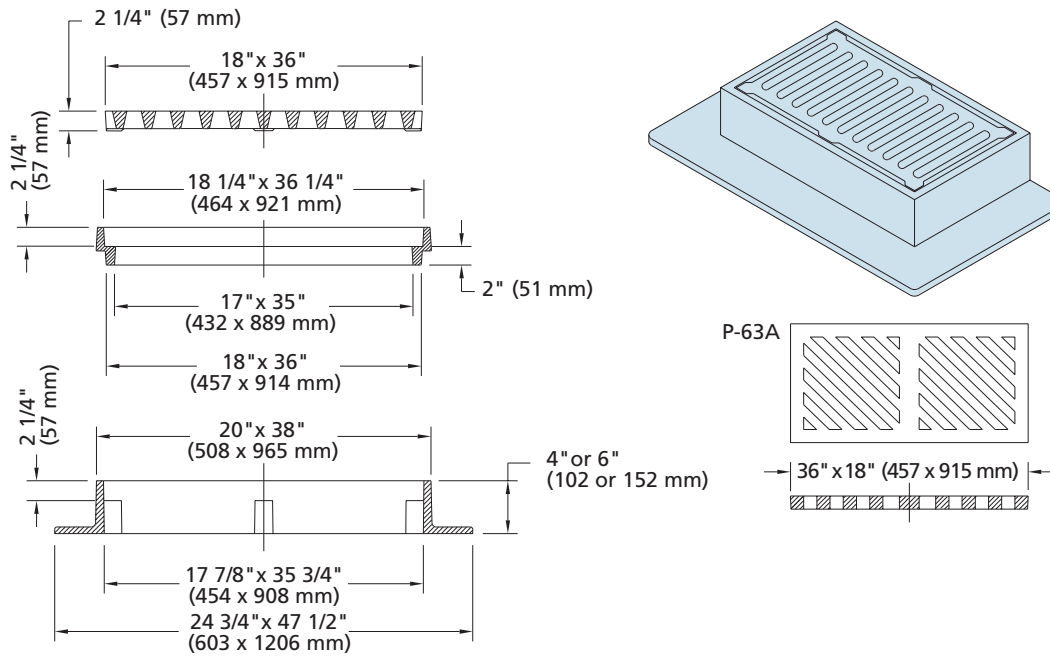
GRATE	SURFACE OPENING	
	inch ²	cm ²
	128	824

	MATERIAL	LBS	KG
FRAME 4 \leq (102 mm)	GREY IRON	138	63
FRAME 6 \leq (152 mm)	GREY IRON	175	80
GRATE	GREY & DUCTILE IRON	90	41
RISER 2 \leq (51 mm)	GREY IRON	59	27
RISER 3 \leq (76 mm)	GREY IRON	70	32

(APPROX.)

IMPORTANT: The model numbers refer to the frames. Each piece is sold separately.

P-46



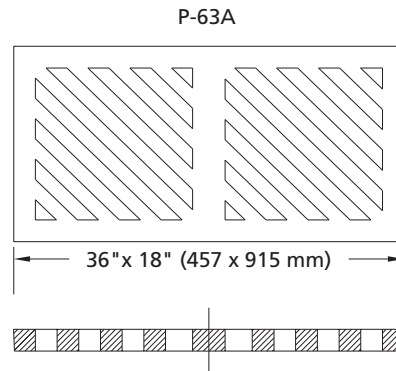
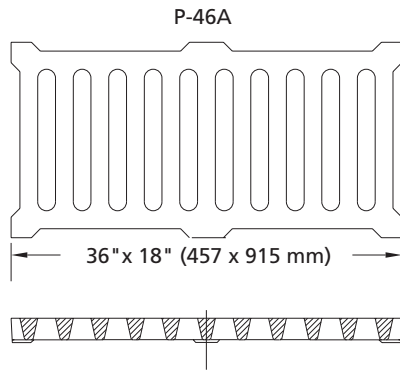
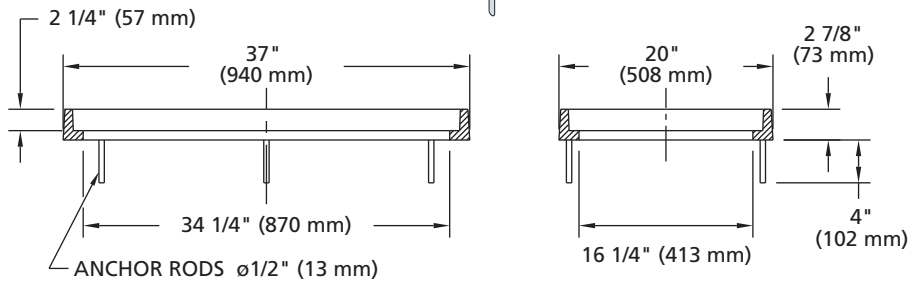
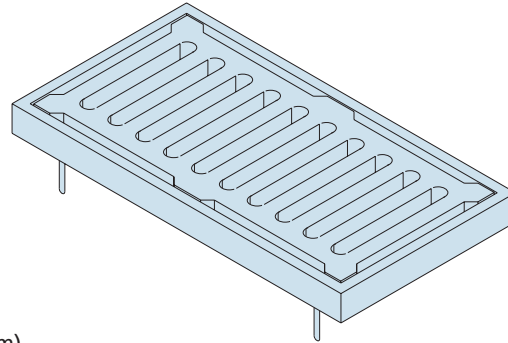
	SURFACE OPENING	
	inch ²	cm ²
GRATE P-46A	218	1,406
GRATE P-63A	255	1,636

	MATERIAL	LBS	KG
FRAME 6 \leq (152 mm)	GREY IRON	295	134
FRAME 4 \leq (102 mm)	GREY IRON	210	95
GRATE P-46A 2 1/4 \leq (57 mm)	GREY & DUCTILE IRON	180	82
GRATE P-46 2 \leq (51 mm)	GREY & DUCTILE IRON	180	82
GRATE P-63A 2 1/4 \leq (57 mm)	GREY & DUCTILE IRON	235	107
RISER 2 \leq (51 mm)	GREY IRON	90	41

(APPROX.)

IMPORTANT: The model numbers refer to the frames. Each piece is sold separately.

P-46P



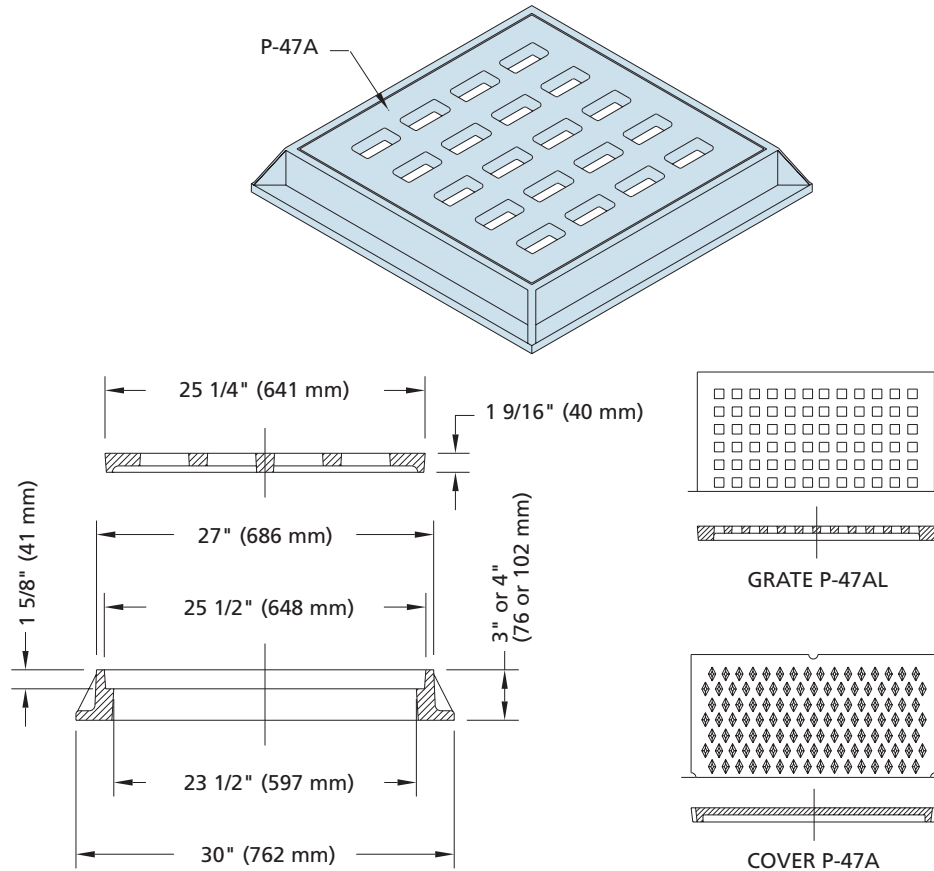
	SURFACE OPENING	
	inch ²	cm ²
GRATE P-46A	218	1,406
GRATE P-63A	255	1,636

	MATERIAL	LBS	KG
FRAME	GREY IRON	95	43
GRATE P-46A	GREY IRON	180	82
GRATE P-63A	GREY IRON	235	107

(APPROX.)

IMPORTANT: The model numbers refer to the frames. Each piece is sold separately.

P-47A / P-47AL



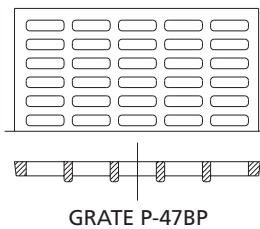
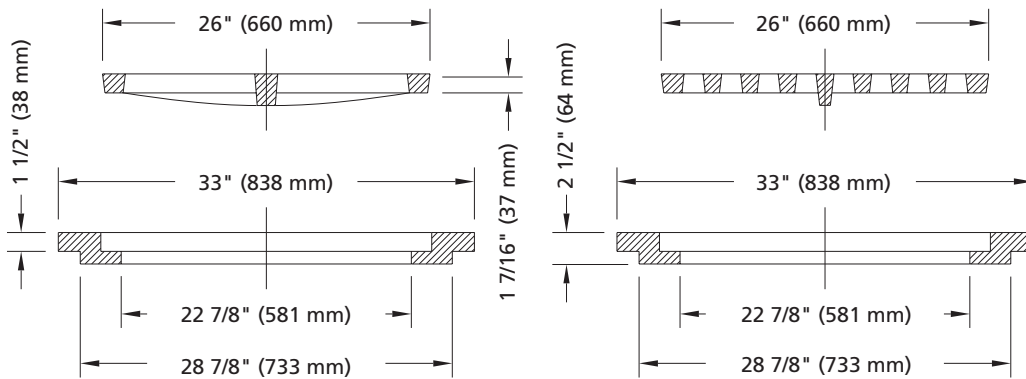
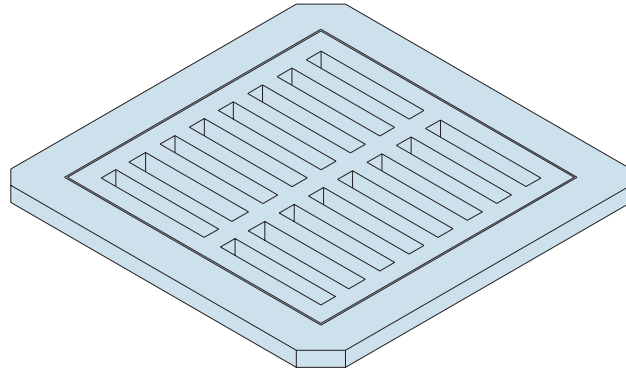
	SURFACE OPENING	
	inch ²	cm ²
GRATE P-47A	150	969
GRATE P-47AL	144	927

	MATERIAL	LBS	KG
FRAME 3 \leq (76 mm)	GREY IRON	100	45
FRAME 4 \leq (102 mm)	GREY IRON	165	75
COVER	GREY IRON	208	95
GRATE P-47A	GREY IRON	140	64
GRATE P-47AL	GREY IRON	120	55

(APPROX.)

IMPORTANT: The model numbers refer to the frames. Each piece is sold separately.

P-47



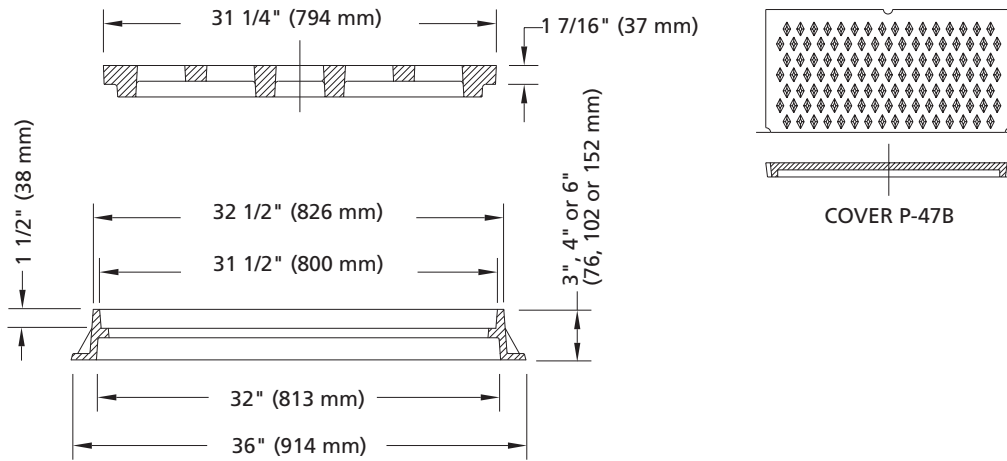
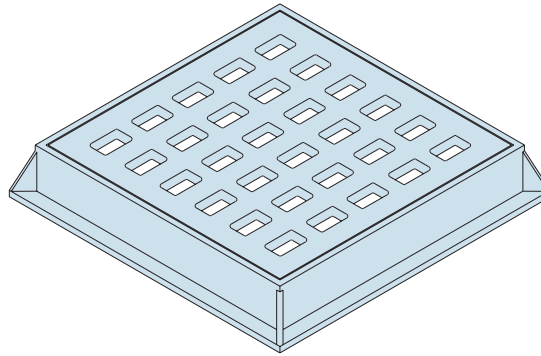
	SURFACE OPENING	
	inch ²	cm ²
GRATE P-47	252	1,628
GRATE P-47BP	210	1,357

	MATERIAL	LBS	KG
FRAME	GREY IRON	204	93
GRATE P-47	GREY IRON	140	63
GRATE P-47BP	GREY IRON	150	68

(APPROX.)

IMPORTANT: The model numbers refer to the frames. Each piece is sold separately.

P-47B



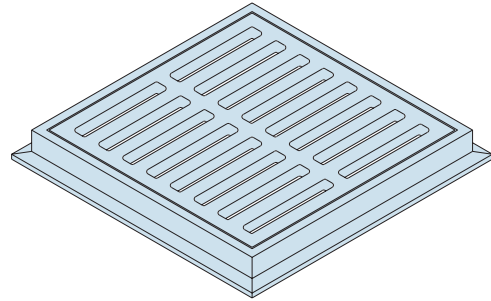
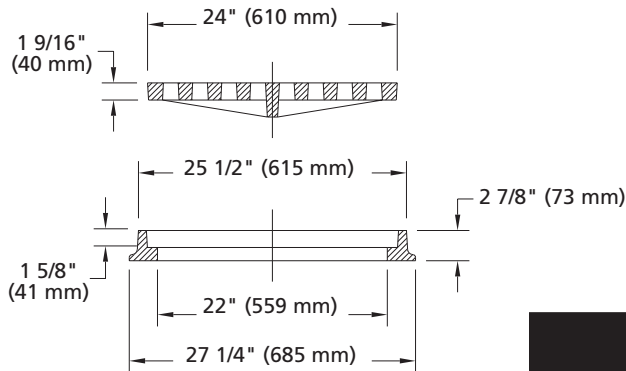
	SURFACE OPENING	
	inch ²	cm ²
GRATE	268	1,726

	MATERIAL	LBS	KG
FRAME 3≤ (76 mm)	GREY IRON	135	61
FRAME 4≤ (102 mm)	GREY IRON	140	64
FRAME 6≤ (152 mm)	GREY IRON	250	114
COVER	GREY IRON	300	136
GRATE P-47B	GREY IRON	245	111

(APPROX.)

IMPORTANT: The model numbers refer to the frames. Each piece is sold separately.

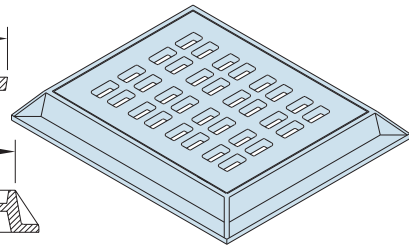
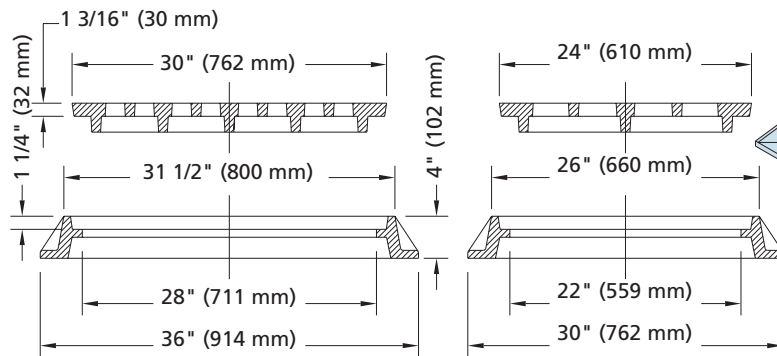
P-47C



	SURFACE OPENING	
	inch ²	cm ²
GRATE	190	1,222

	MATERIAL	LBS	KG
FRAME	GREY IRON	90	41
GRATE	GREY IRON	165	75

P-47D



	SURFACE OPENING	
	inch ²	cm ²
GRATE	208	1,340

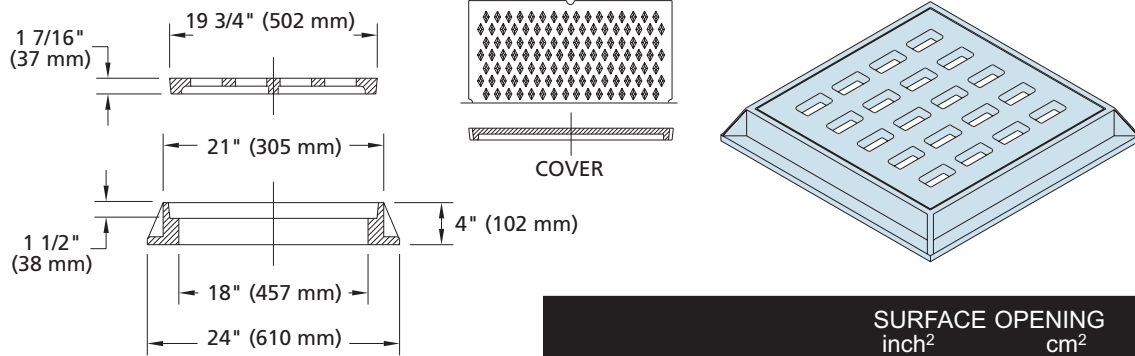
	MATERIAL	LBS	KG
FRAME	GREY IRON	175	80
GRATE	GREY IRON	220	100

(APPROX.)

FRAMES AND GRATES

IMPORTANT: The model numbers refer to the frames. Each piece is sold separately.

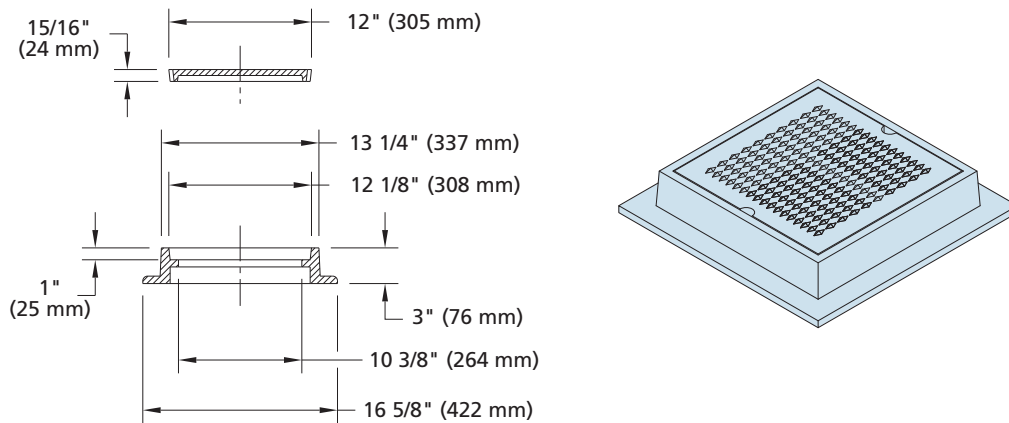
P-47E



GRATE	SURFACE OPENING	
	inch ²	cm ²
	112	723

	MATERIAL	LBS	KG
FRAME 4 \leq (102 mm)	GREY IRON	120	55
COVER	GREY IRON	120	55
GRATE	GREY IRON	80	36

P-47P

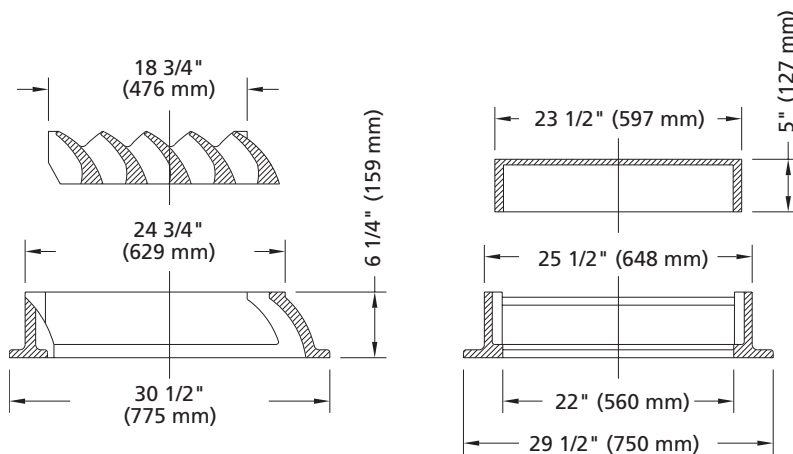
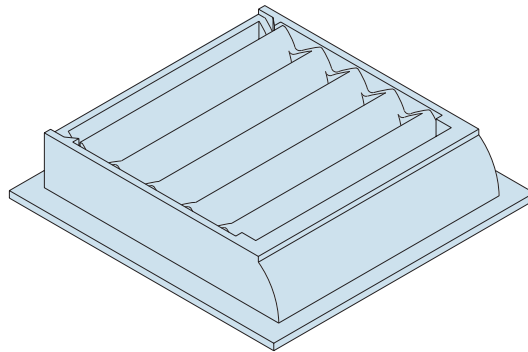


	MATERIAL	LBS	KG
FRAME	GREY IRON	44	20
COVER	GREY IRON	18	8

(APPROX.)

IMPORTANT: The model numbers refer to the frames. Each piece is sold separately.

P-49



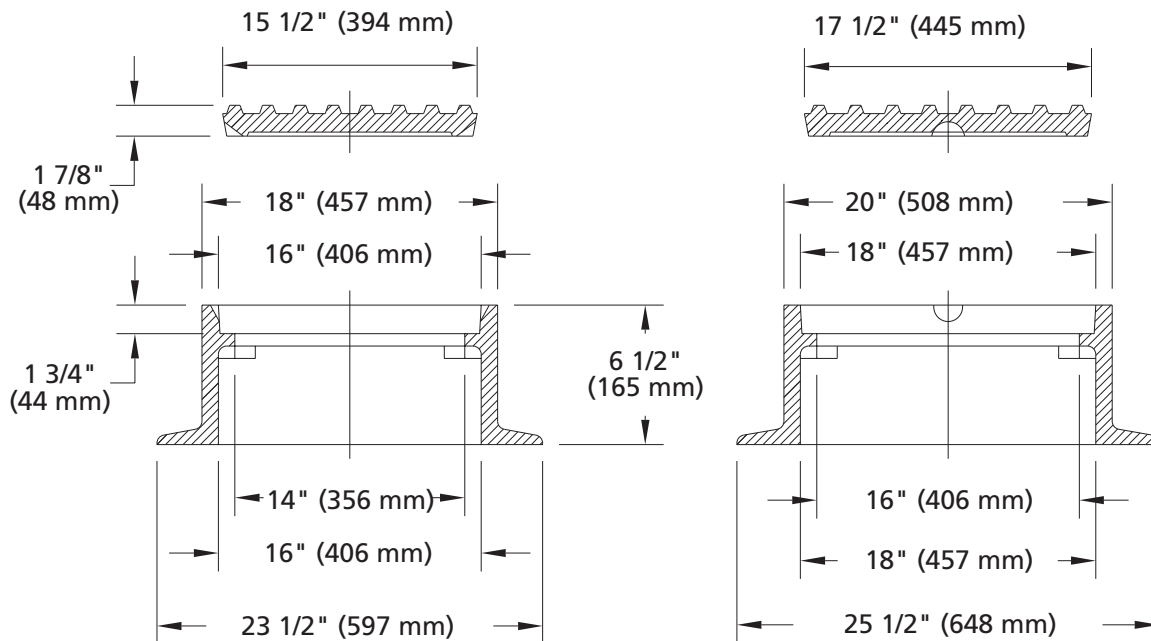
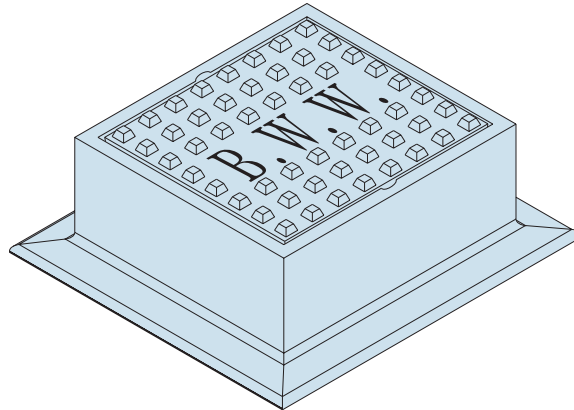
	SURFACE OPENING	
	inch ²	cm ²
GRATE	204	1,314

	MATERIAL	LBS	KG
FRAME	GREY IRON	200	91
GRATE	GREY IRON	220	100

(APPROX.)

IMPORTANT: The model numbers refer to the frames. Each piece is sold separately.

P-50



	MATERIAL	LBS	KG
FRAME	GREY IRON	175	80
COVER	GREY IRON	95	43

(APPROX.)

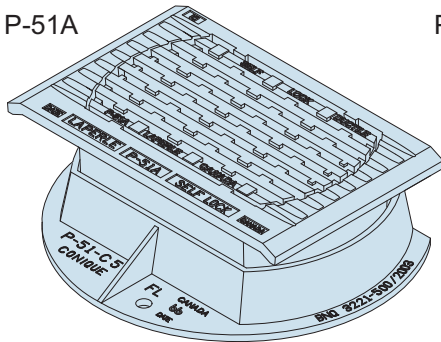
IMPORTANT: The model numbers refer to the frames. Each piece is sold separately.

P-51A

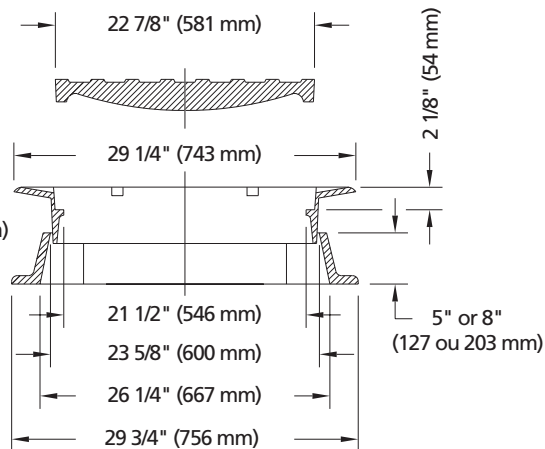
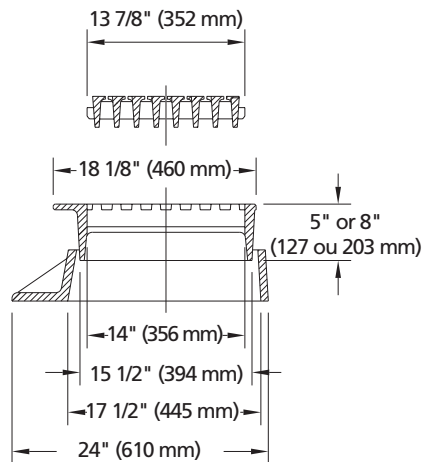
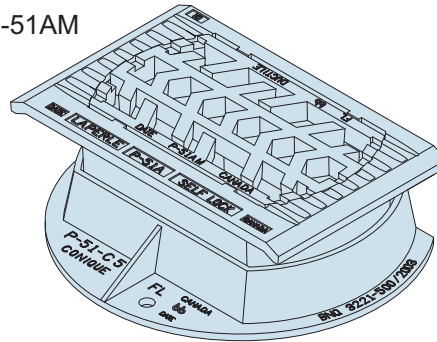
AUTOSTABLE

IMPORTANT: When in use the autostable frame should not rest on the guide frame, a 2" (51 mm) minimum space should be respected.

P-51A



P-51AM



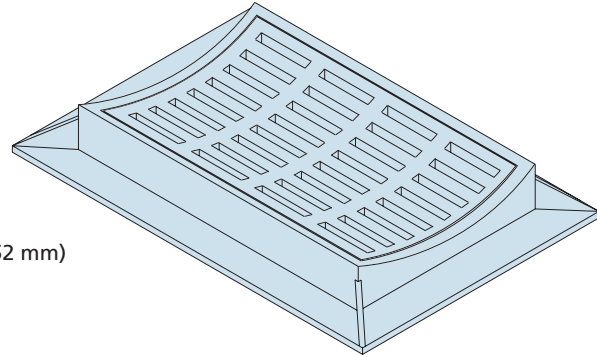
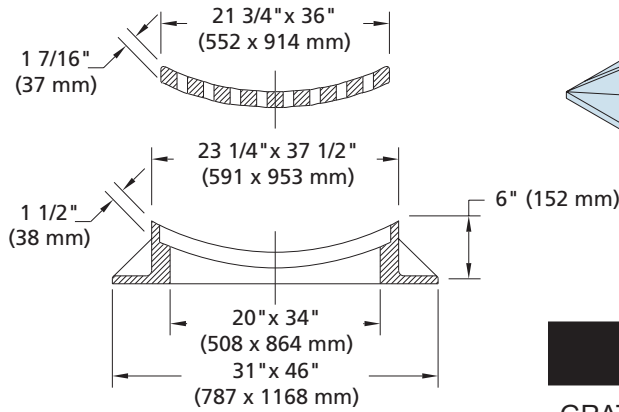
	SURFACE OPENING	
	inch ²	cm ²
GRATE P-51A	107	689
GRATE P-51AM	134	863

	MATERIAL	LBS	KG
FRAME 5≤ (127 mm)	DUCTILE IRON	80	36
FRAME 8≤ (203 mm)	DUCTILE IRON	128	58
GRATE P-51A	DUCTILE IRON	61	28
GRATE P-51AM	DUCTILE IRON	65	30
CONIC GUIDE FRAME P-51C 5≤ (127 mm)	GREY IRON	78	35
CONIC GUIDE FRAME P-51C 8≤ (203 mm)	GREY IRON	145	66

(APPROX.)

IMPORTANT: The model numbers refer to the frames. Each piece is sold separately.

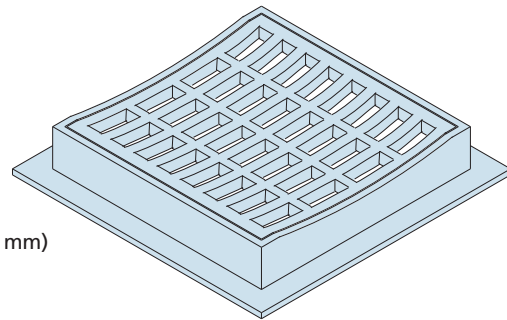
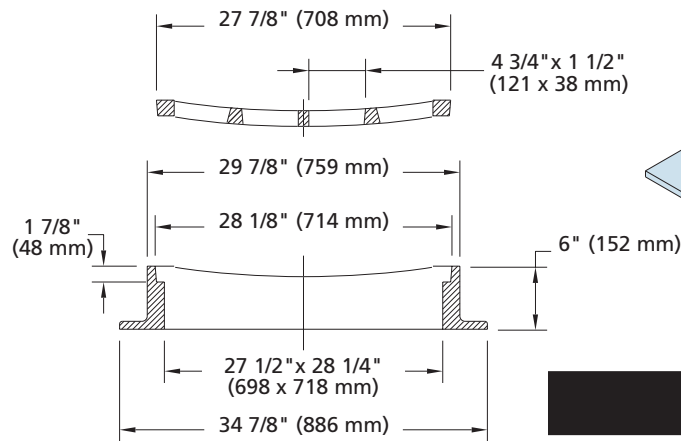
P-52



GRATE	SURFACE OPENING	
	inch ²	cm ²
	201	1,294

	MATERIAL	LBS	KG
FRAME	GREY IRON	300	136
GRATE	GREY IRON	235	107

P-53



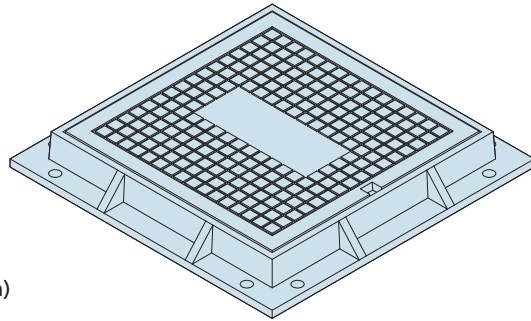
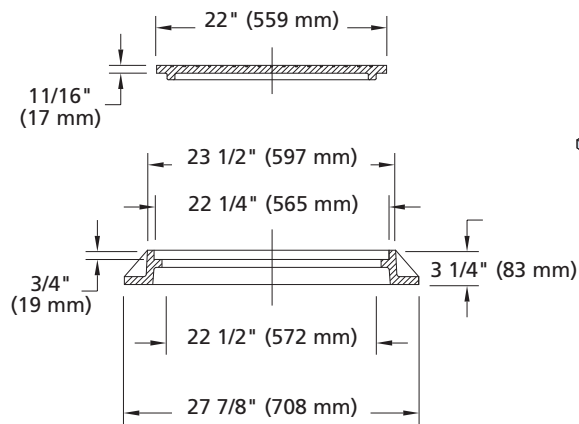
GRATE	SURFACE OPENING	
	inch ²	cm ²
	216	1,395

	MATERIAL	LBS	KG
FRAME	GREY IRON	250	114
GRATE	GREY IRON	235	107

(APPROX.)

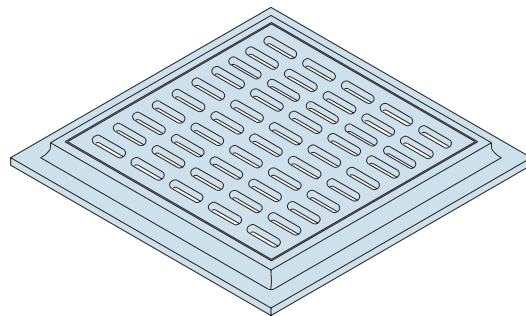
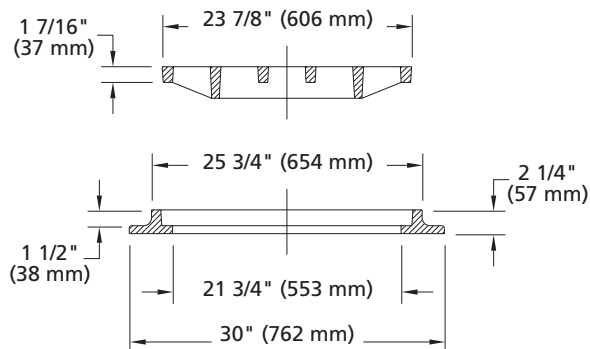
IMPORTANT: The model numbers refer to the frames. Each piece is sold separately.

P-54



	MATERIAL	LBS	KG
FRAME	GREY IRON	96	44
COVER	GREY IRON	74	34

P-61



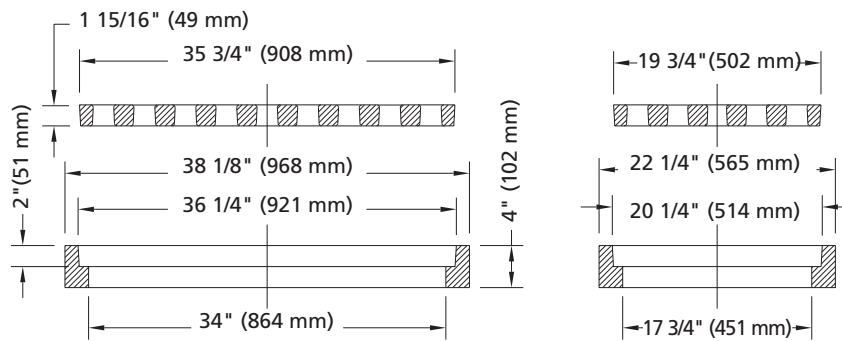
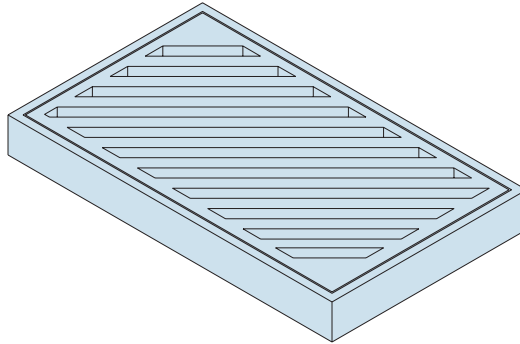
	SURFACE OPENING	
	inch ²	cm ²
GRATE	218	1,404

	MATERIAL	LBS	KG
FRAME	GREY IRON	120	55
GRATE	GREY IRON	115	52

(APPROX.)

IMPORTANT: The model numbers refer to the frames. Each piece is sold separately.

P-63



Available with solid cover

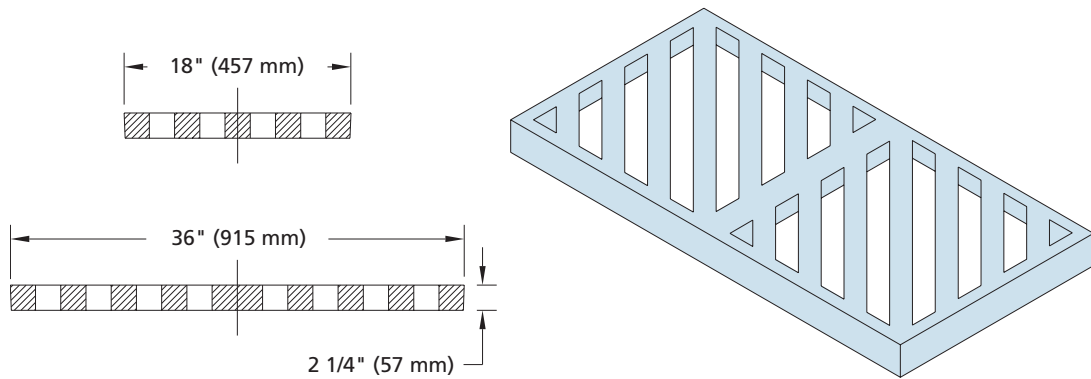
Shown with type 2 grate also available with type 1

	SURFACE OPENING	
	inch ²	cm ²
GRATE DDH1	296	1,906
GRATE DDH2	296	1,906

	MATERIAL	LBS	KG
FRAME	GREY IRON	185	84
COVER P-63	GREY IRON	200	91
GRATE DDH1	GREY IRON	190	86
GRATE DDH2	GREY IRON	190	86

(APPROX.)

P-63A



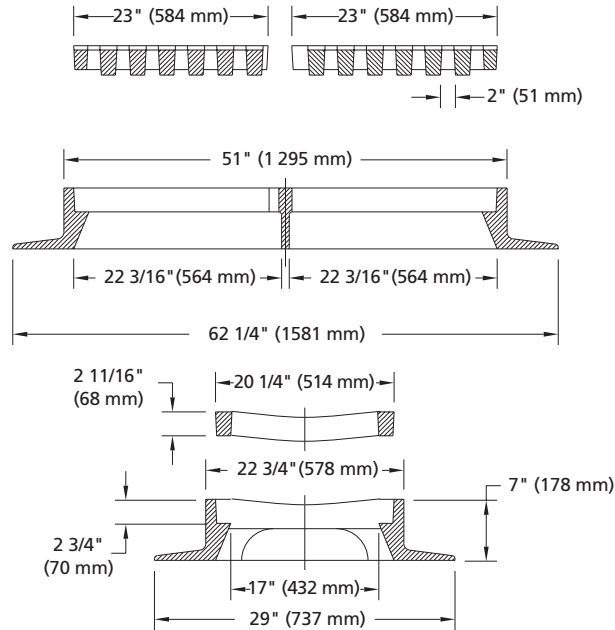
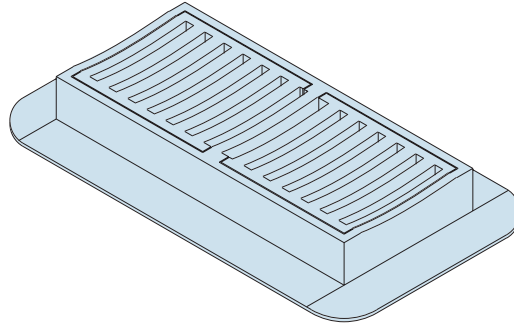
	SURFACE OPENING	
	inch ²	cm ²
GRATE	255	1,636

	MATERIAL	LBS	KG
GRATE	GREY & DUCTILE IRON	235	107

(APPROX.)

IMPORTANT: The model numbers refer to the frames. Each piece is sold separately.

P-64



Available with end cut.

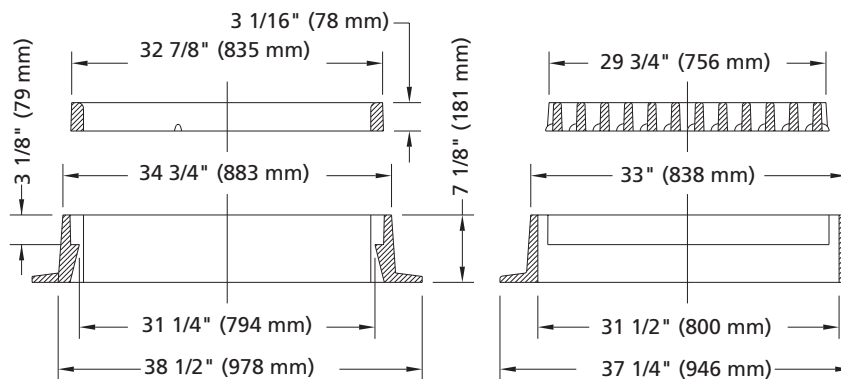
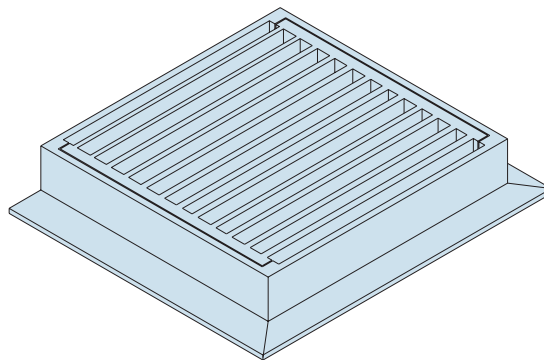
	SURFACE OPENING	
	inch ²	cm ²
GRATE	445	2,866

	MATERIAL	LBS	KG
FRAME 3 FL	GREY IRON	616	280
FRAME 4 FL	GREY IRON	710	323
GRATE	GREY IRON	160	73

(APPROX.)

IMPORTANT: The model numbers refer to the frames. Each piece is sold separately.

P-65



Available with 2, 3 or 4 flanges.

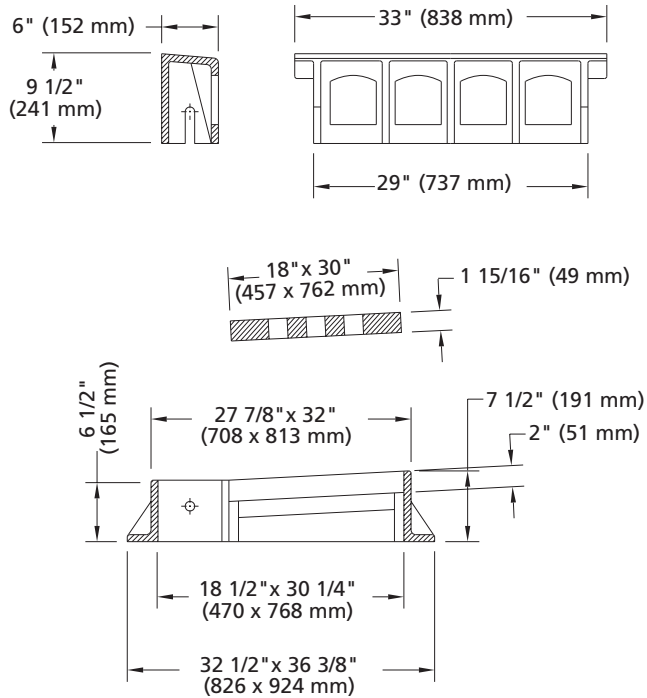
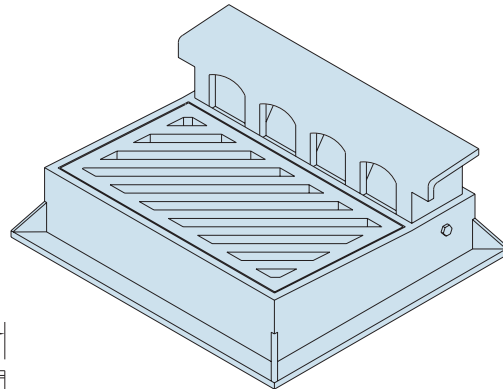
	SURFACE OPENING	
	inch ²	cm ²
GRATE	562	3,620

	MATERIAL	LBS	KG
FRAME P-65 2 FL	GREY IRON	340	155
FRAME P-65 3 FL	GREY IRON	350	159
FRAME P-65 4 FL	GREY IRON	360	164
GRATE	GREY IRON	340	155

(APPROX.)

IMPORTANT: The model numbers refer to the frames. Each piece is sold separately.

P-67



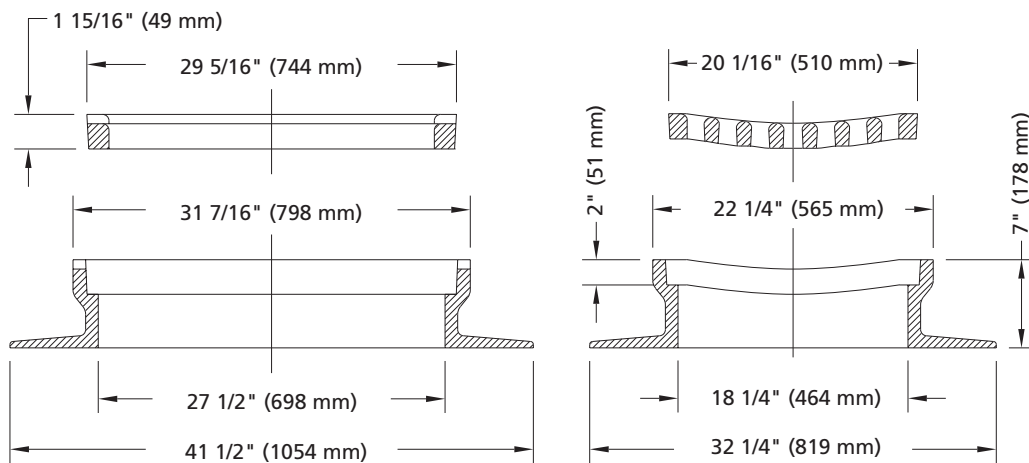
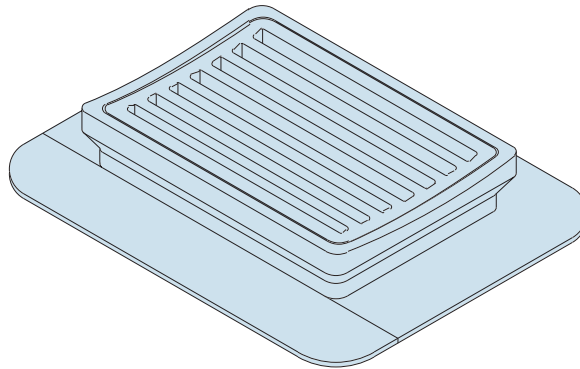
	SURFACE OPENING	
	inch ²	cm ²
GRATE	172	1,108

	MATERIAL	LBS	KG
FRAME	GREY IRON	316	144
GRATE	GREY IRON	190	86
CURB	GREY IRON	120	55

(APPROX.)

IMPORTANT: The model numbers refer to the frames. Each piece is sold separately.

P-68



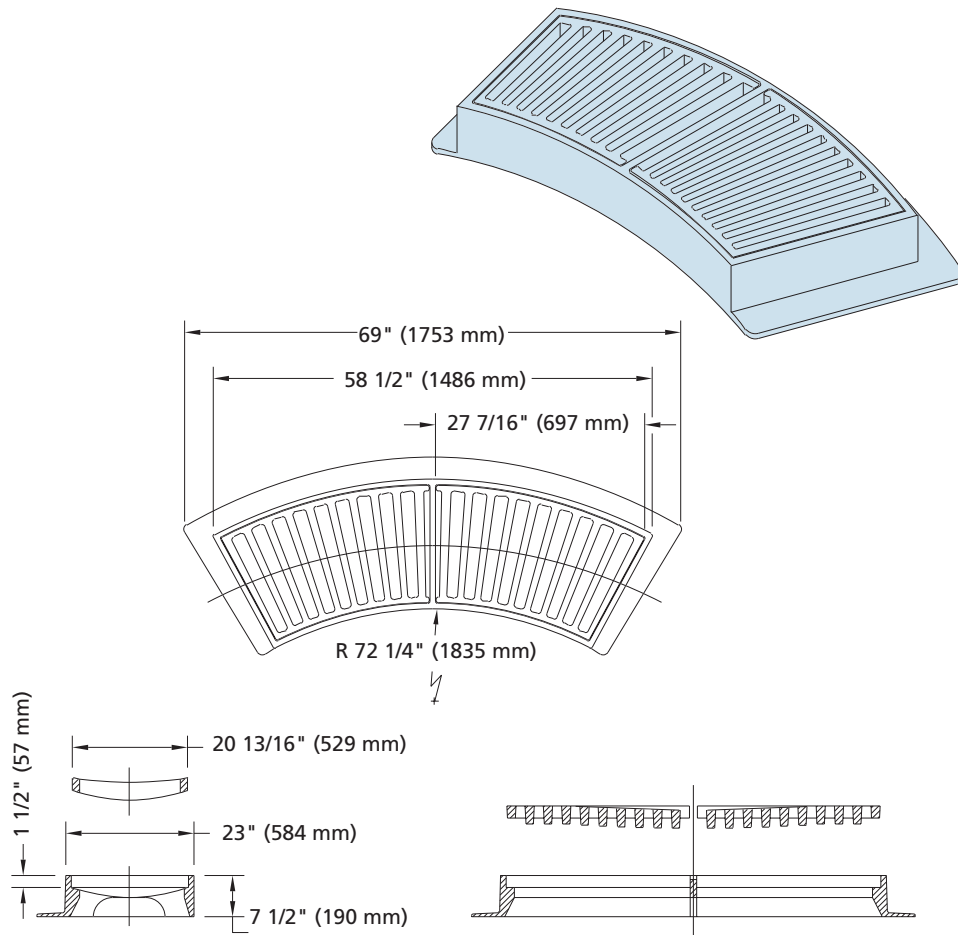
	SURFACE OPENING	
	inch ²	cm ²
GRATE	223	1,434

	MATERIAL	LBS	KG
FRAME 3 FL	GREY IRON	320	145
FRAME 4 FL	GREY IRON	365	166
GRATE	GREY IRON	185	84

(APPROX.)

IMPORTANT: The model numbers refer to the frames. Each piece is sold separately.

P-69

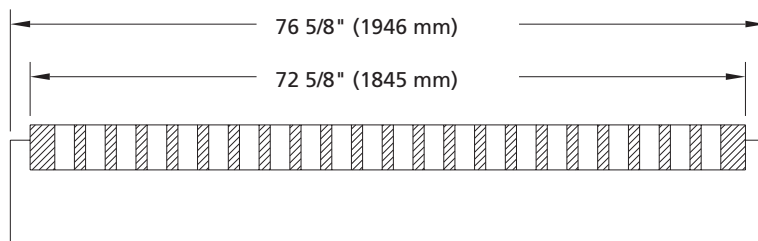
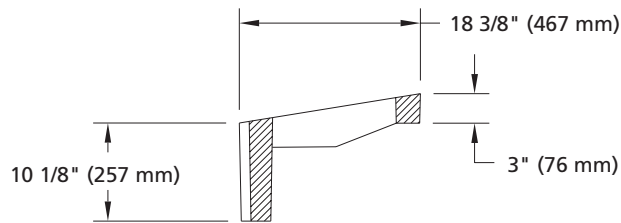
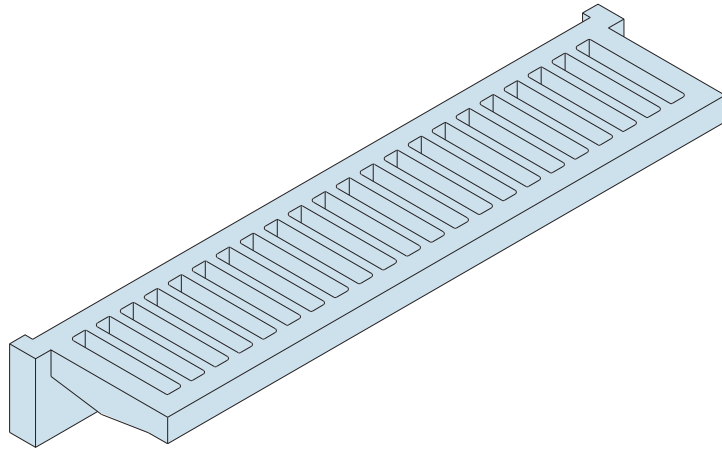


	SURFACE OPENING	
	inch ²	cm ²
GRATE P-69	470	3,029

	MATERIAL	LBS	KG
FRAME	GREY IRON	605	275
GRATE P-69 (2X)	GREY IRON	160	73

(APPROX.)

P-70



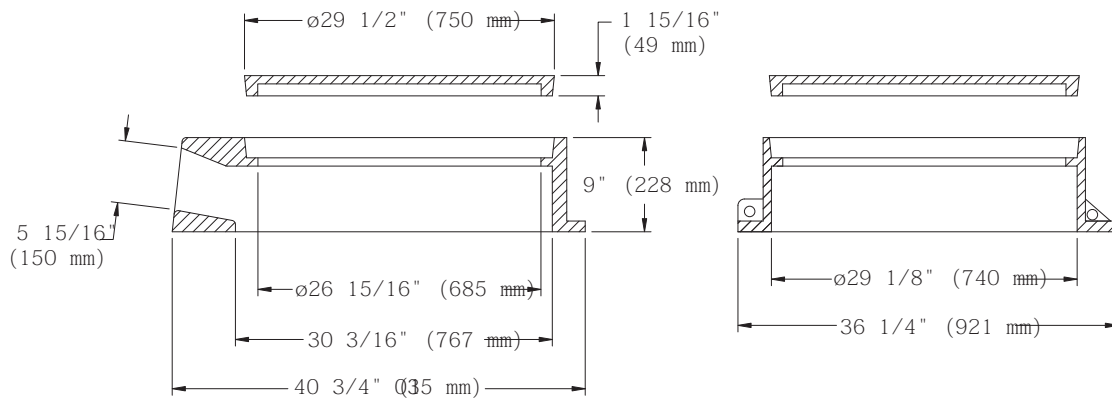
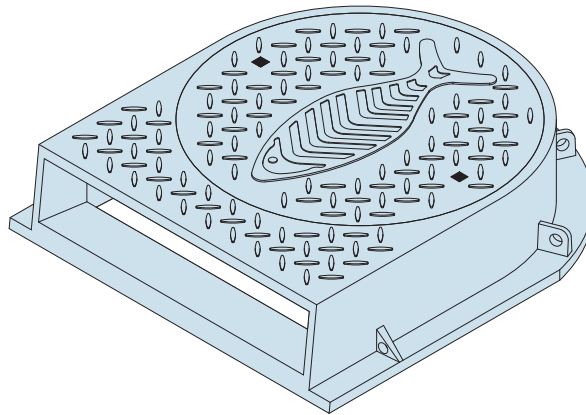
	SURFACE OPENING	
	inch ²	cm ²
GRATE	535	3,446

	MATERIAL	LBS	KG
GRATE	GREY IRON	800	364

(APPROX.)

IMPORTANT: The model numbers refer to the frames. Each piece is sold separately.

P-97

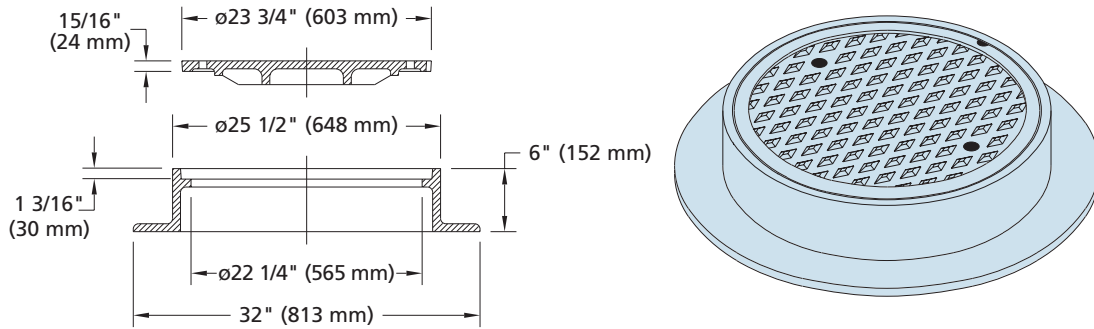


	MATERIAL	LBS	KG
FRAME	GREY IRON	531	241
COVER	GREY IRON	160	73

(APPROX.)

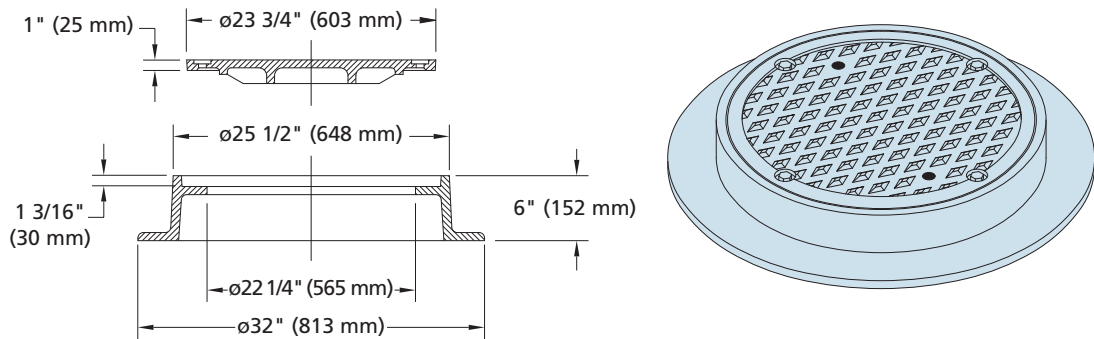
IMPORTANT: The model numbers refer to the frames. Each piece is sold separately.

R-10



	MATERIAL	LBS	KG
FRAME	GREY IRON	160	73
COVER	GREY IRON	135	61

R-12



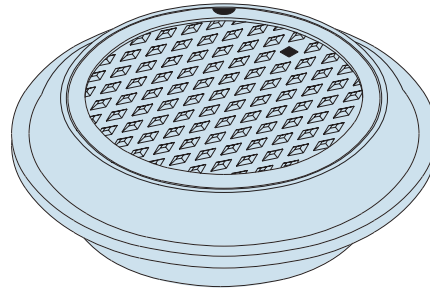
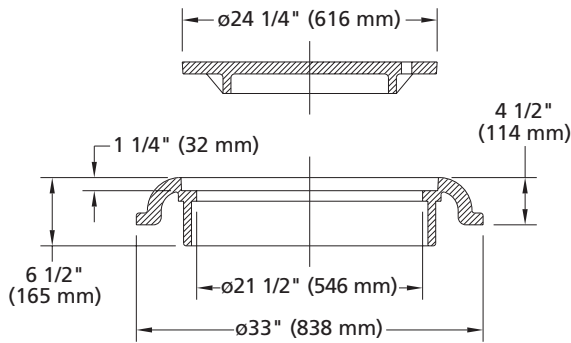
	MATERIAL	LBS	KG
FRAME	GREY IRON	160	73
COVER	GREY IRON	135	61

(APPROX.)

FRAMES AND COVERS

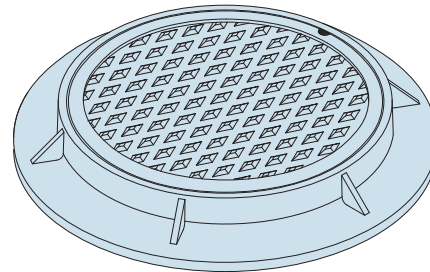
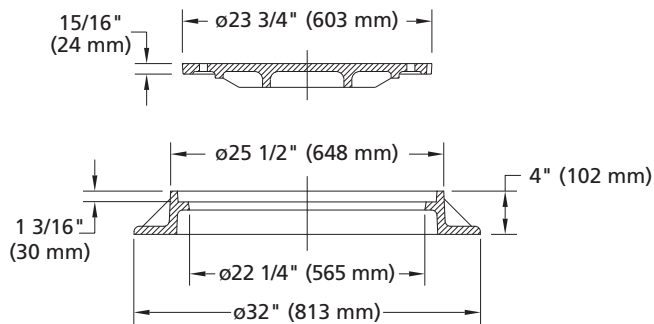
IMPORTANT: The model numbers refer to the frames. Each piece is sold separately.

R-60



	MATERIAL	LBS	KG
FRAME	GREY IRON	220	100
COVER	GREY IRON	125	57

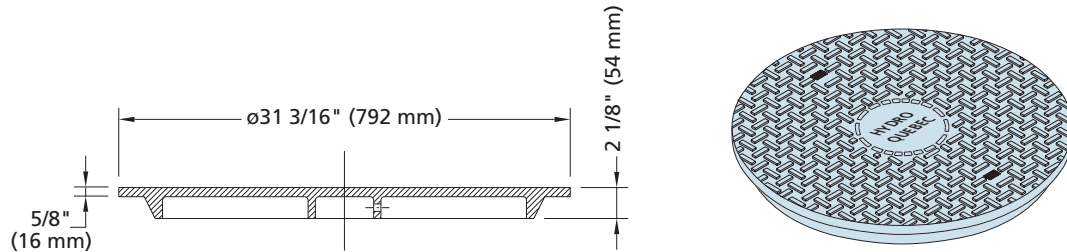
R-110



	MATERIAL	LBS	KG
FRAME	GREY IRON	142	65
COVER R-10	GREY IRON	135	61

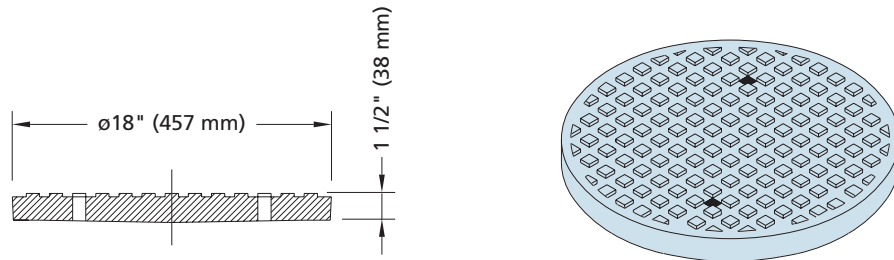
(APPROX.)

S-26



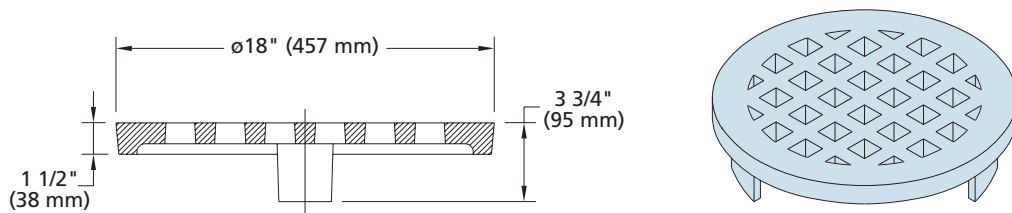
	MATERIAL	LBS	KG
COVER #HQ1007657	GREY IRON	150	68

S-29V22



	MATERIAL	LBS	KG
COVER	GREY IRON	70	32

SC-18

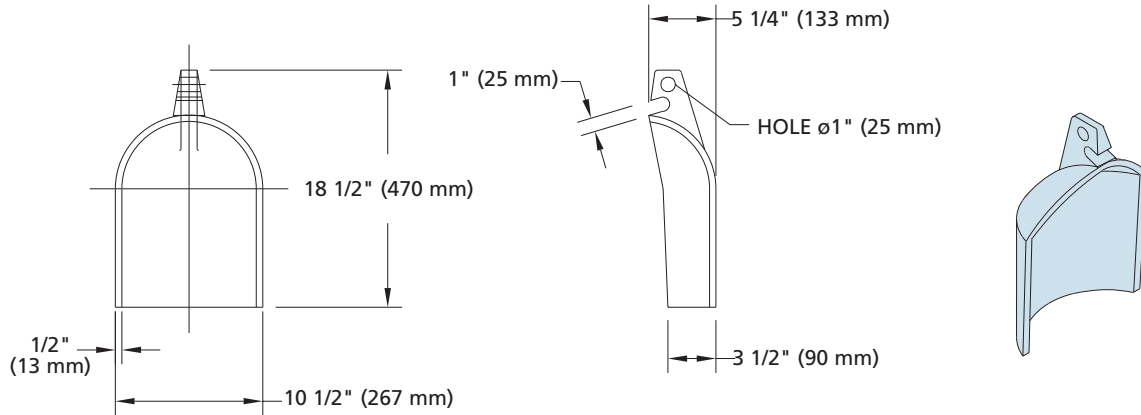


	SURFACE OPENING	
	inch ²	cm ²
GRATE	58	375

	MATERIAL	LBS	KG
GRATE	GREY IRON	65	30

(APPROX.)

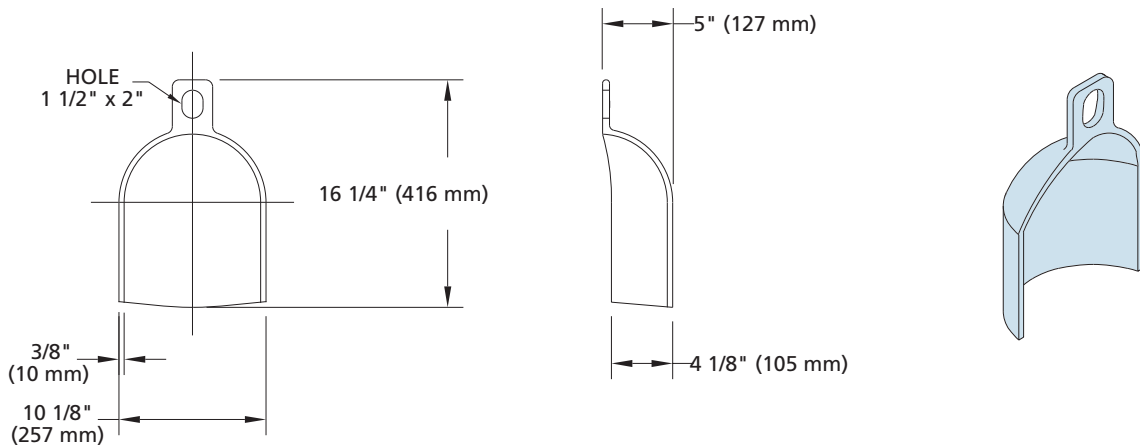
T-1



8 ≤ (203 mm) PIPE MODEL

	MATERIAL	LBS	KG
CESSPOOL TRAP	GREY IRON	22	10

T-1Q

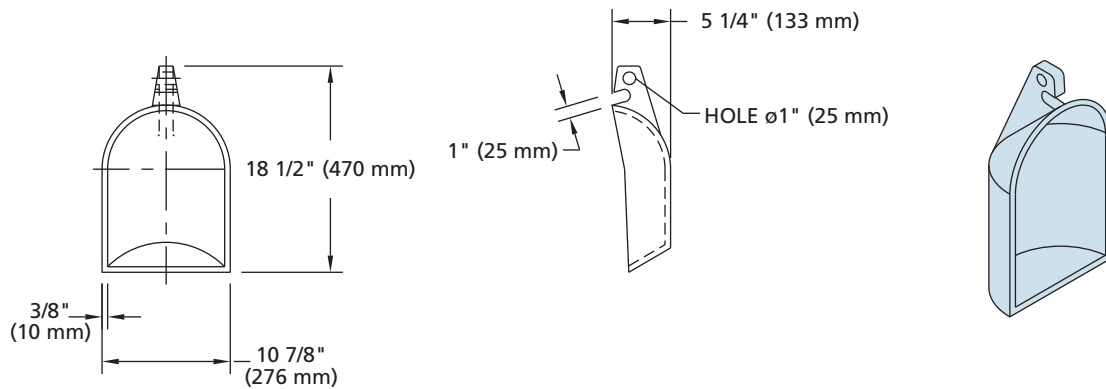


8 ≤ (203 mm) PIPE MODEL

	MATERIAL	LBS	KG
CESSPOOL TRAP	GREY IRON	21	10

(APPROX.)

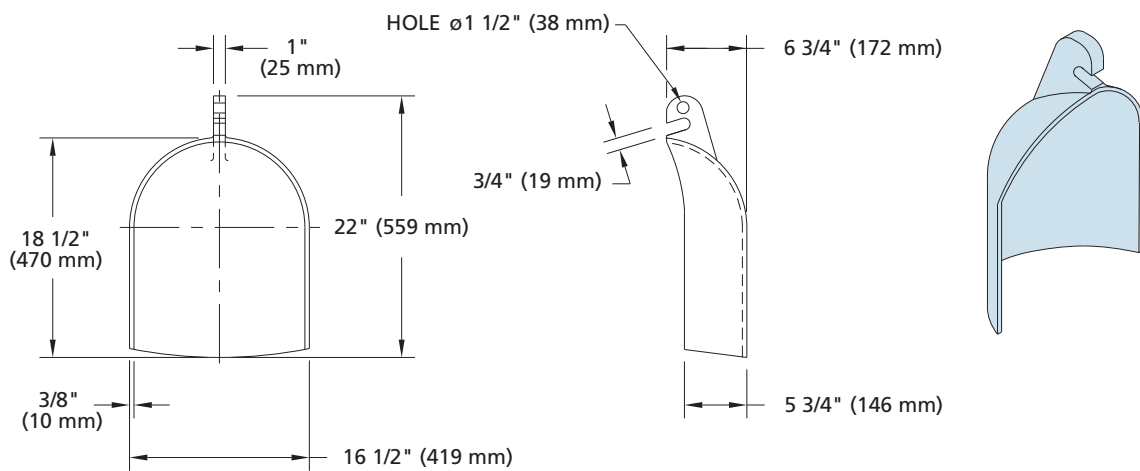
T-1R



8" (203 mm) PIPE MODEL

	MATERIAL	LBS	KG
CESSPOOL TRAP	GREY IRON	22	10

T-6

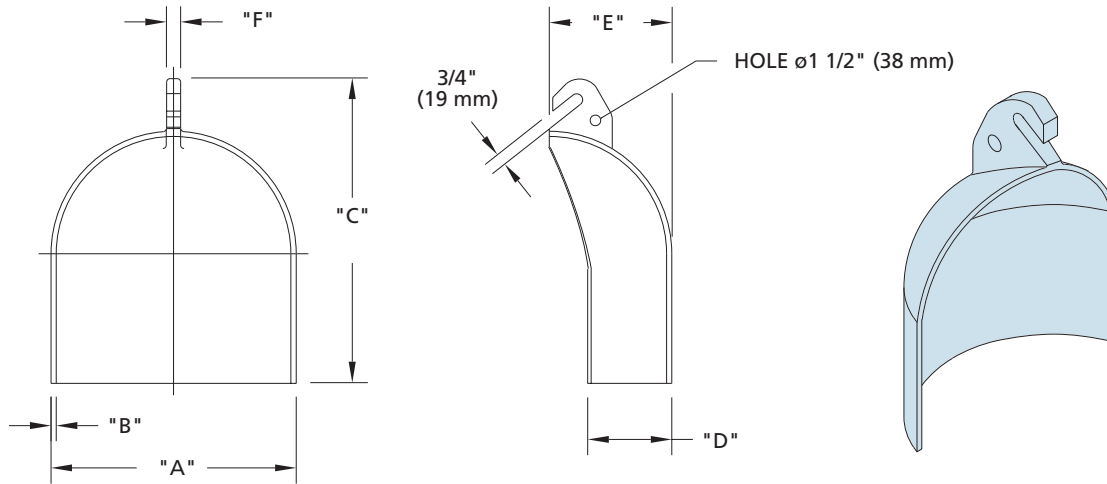


10" (254 mm) PIPE MODEL

	MATERIAL	LBS	KG
CESSPOOL TRAP	GREY IRON	32	15

(APPROX.)

T-7 / T-8



12" (305 mm) PIPE MODEL

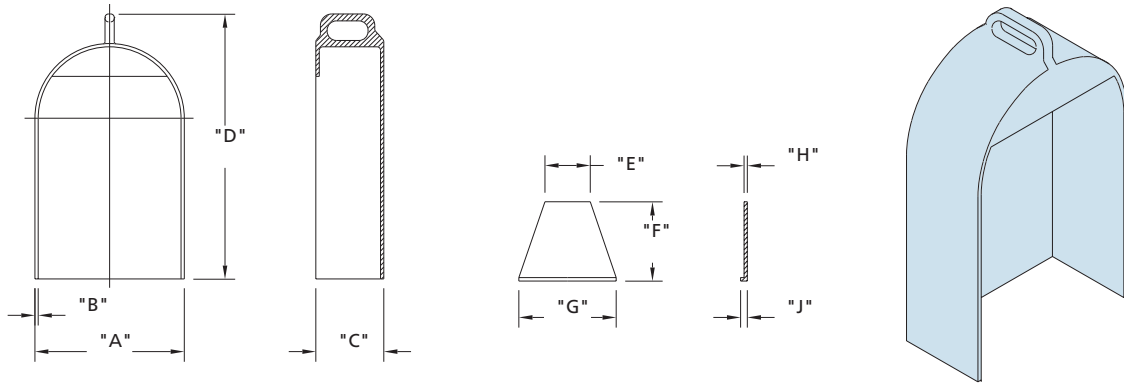
	MATERIAL	LBS	KG
CESSPOOL TRAP T-7	GREY IRON	42	19
CESSPOOL TRAP T-8	GREY IRON	65	29

No.	DIMENSIONS (in.)					
	A	B	C	D	E	F
T-7	17 1/2	3/8	21 3/4	6	8 3/4	1
T-8	21 3/4	3/8	24 3/8	7 3/4	10 7/8	1

No.	DIMENSIONS (mm)					
	A	B	C	D	E	F
T-7	444	10	553	152	222	25
T-8	553	10	619	197	276	25

(APPROX.)

T-15 / T-18 / T-20



15≤, 18≤ and 20≤ (381, 457 and 508 mm) PIPE MODEL

	MATERIAL	LBS	KG
CESSPOOL TRAP T-15	GREY IRON	125	57
CESSPOOL TRAP T-18	GREY IRON	135	61
CESSPOOL TRAP T-20	GREY IRON	150	68

No.	DIMENSIONS (in.)								
	A	B	C	D	E	F	G	H	J
T-15	16 5/8	3/8	8 1/4	25 3/4	5	8 3/4	10 3/4	3/8	3/4
T-18	19	3/8	9 3/4	27	5	8 3/4	10 3/4	3/8	3/4
T-20	20 3/4	3/8	10 3/8	27	5	8 3/4	10 3/4	3/8	3/4

No.	DIMENSIONS (mm)								
	A	B	C	D	E	F	G	H	J
T-15	422	10	210	654	127	222	273	10	19
T-18	483	10	248	686	127	222	273	10	19
T-20	527	10	264	686	127	222	273	10	19

(APPROX.)

