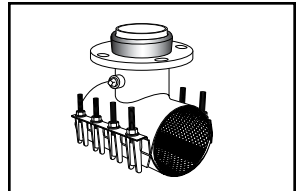
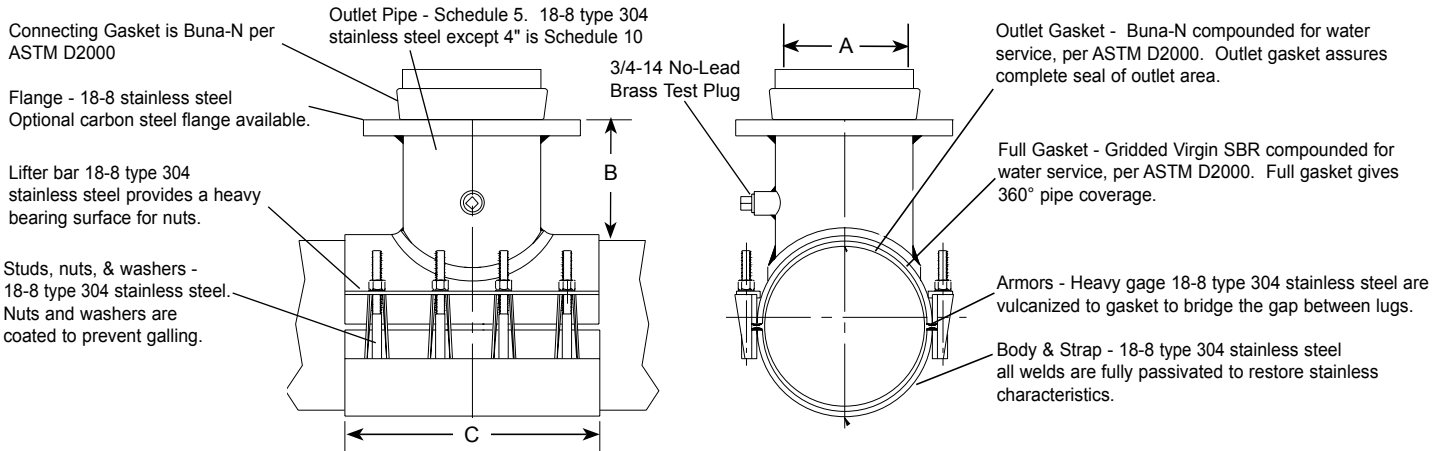


SUBMITTAL INFORMATION

Stainless Steel Tapping Sleeve - (FAST-xxx-x-MJ style)



STAINLESS STEEL TAPPING SLEEVE WITH MECHANICAL JOINT OUTLET



NOM. PIPE SIZE	SLEEVE O.D. RANGE	CATALOG NUMBER**	BY	SS** OUTLET SIZE/CODE	APPROX. WT.	NOMINAL DIMENSIONS - INCHES			SADDLE THICKNESS (GAGE)	STRAP THICKNESS (GAGE)	STUD SIZE	NO. STUDS	SUBMITTED ITEM(S)	
						A	B	C						
3"	3.50-3.96	FAST-396-	X	3 -MJ	25	3-1/4	7-3/16	15	.075" (14)		5/8"	8		
	4.50-4.80	FAST-480 -		3 -MJ	28	3-1/4	7-3/16	15						
4"	4.80-5.10	FAST-510 -	X	4 -MJ	36	4-1/4	5-3/16	15			5/8"	8		
	5.05-5.30	FAST-530 -												
	6.60-7.00	FAST-700 -												
6"	6.90-7.30	FAST-730 -	X	3 -MJ	33	3-1/4	7-3/16	15		5/8"	8			
	7.10-7.50	FAST-750 -		4 -MJ	39	4-1/4	5-3/16							
	8.10-8.50	FAST-850-		6 -MJ	43	6-3/8	5-1/2							
8"	8.63-9.05	FAST-905 -	X	3 -MJ	38	3-1/4	7-3/16	15	.048" (18)	5/8"	8	8	12	
	9.05-9.45	FAST-945 -		4 -MJ	43	4-1/4	5-3/16							
	9.30-9.70	FAST-970 -		6 -MJ	47	6-3/8	5-1/2							
	10.75-11.15	FAST-1115 -		8 -MJ	64	8-15/16	5-5/8							20
10"	11.05-11.45	FAST-1145 -	X	3 -MJ	40	3-1/4	7-3/16	15		5/8"	8	8	12	
	11.75-12.15	FAST-1215 -		4 -MJ	46	4-1/4	5-3/16							
	12.75-13.20	FAST-1320 -		6 -MJ	50	6-3/8	5-1/2							
	13.10-13.50	FAST-1350 -		8 -MJ	68	8-5/16	5-5/8							20
12"	14.00-14.40	FAST-1440 -	X	10 -MJ	73	10-1/4	6-1/8	20	.105" (12)	3/4"	12	14		
	12.75-13.20	FAST-1320 -		3 -MJ	43	3-1/4	7-3/16							
	13.10-13.50	FAST-1350 -		4 -MJ	49	4-1/4	5-3/16							
	14.00-14.40	FAST-1440 -		6 -MJ	53	6-3/8	5-1/2							
14"	15.30-15.70	FAST-1570 -	X	8 -MJ	72	8-5/16	5-5/8	20		.063 (16)	3/4"	12	14	
	15.80-16.20	FAST-1620 -		10 -MJ	77	10-1/4	6-1/8							
	16.48-16.88	FAST-1688 -		12 -MJ	107	12-1/4	6-1/4							24
	15.30-15.70	FAST-1570 -		3 -MJ	65	3-1/4	7-3/16							
	15.80-16.20	FAST-1620 -		4 -MJ	70	4-1/4	5-3/16							
14"	16.48-16.88	FAST-1688 -	X	6 -MJ	74	6-3/8	5-1/2	16	.048 (18)	3/4"	10	10	12	
	15.30-15.70	FAST-1570 -		8 -MJ	93	8-5/16	5-5/8							
	15.80-16.20	FAST-1620 -		10 -MJ	98	10-1/4	6-1/8							
	16.48-16.88	FAST-1688 -		12 -MJ	132	12-1/4	6-1/4							24

** To order: Add outlet size to catalog number. Example: The complete FAST catalog number for an 8" pipe (9.05 O.D.) with a 6" stainless steel outlet is FAST-945-6-MJ. For a carbon steel outlet, add "A" to the catalog number. Example: FAST-945-6A-MJ

FEATURES

- Body, straps and UNC threaded studs are made of 18-8 type 304 stainless steel. Flange can be either 18-8 type 304 stainless steel or ASTM A36 carbon steel.
- All welds are fully passivated for corrosion resistance.
- Tapping Sleeves rated for 250 psi working pressure on 3"-12"
- Outlet gaskets are Buna-N rubber per ASTM D2000.

The Ford Meter Box Company considers the information in this submittal form to be correct at the time of publication. Item and option availability, including specifications, are subject to change without notice. Please verify that your product information is current.



The Ford Meter Box Company, Inc.
 P.O. Box 443, Wabash, Indiana U.S.A. 46992-0443
 Phone: 260-563-3171 / Fax: 800-826-3487
 Overseas Fax: 260-563-0167
 www.fordmeterbox.com

06/17/15

Submitted By: