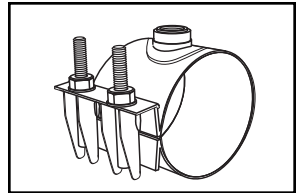
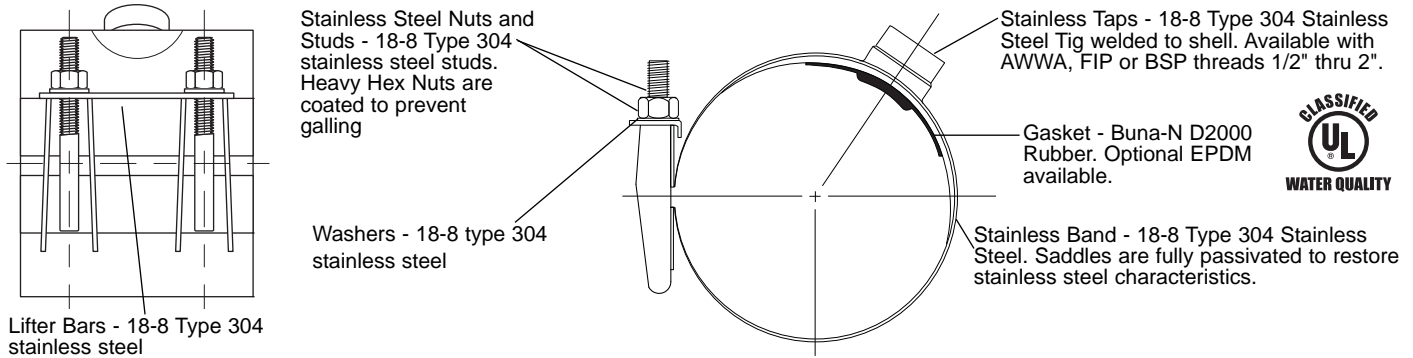


SUBMITTAL INFORMATION

Stainless Steel Saddle - Single Band - (FS313-xxx-TAP style)



TAPPED STAINLESS STEEL SADDLE



Nom. Pipe Size	Saddle O.D. Range	Tap Size 1/2" - 1"				Tap Size 1-1/4 - 2"				Catalog Number
		Band Width	No. of Bolts	Bolt Size	Approx. Wt. Lbs.	Band Width	No. of Bolts	Bolt Size	Approx. Wt. Lbs.	
2"	2.13	4"	1	1/2"	1.7	N/A	N/A	N/A	N/A	FS313-213-TAP
	2.38									FS313-238-TAP
	2.50-2.70									FS313-270-TAP
2-1/2"	2.88	4"	1	1/2"	1.7	N/A	N/A	N/A	N/A	FS313-288-TAP
3"	3.5	4"	1	1/2"	2	N/A	N/A	N/A	N/A	FS313-350-TAP
	3.90-4.10									FS313-410-TAP
4"	4.50-4.80	6"	2	1/2"	2.4	7-1/2"	2	1/2"	4.2	FS313-480-TAP
	4.80-5.20									FS313-520-TAP
5"	5.56	6"	2	5/8"	2.7	7-1/2"	2	5/8"	4.8	FS313-556-TAP
	6.00-6.40									FS313-640-TAP
6"	6.41-6.80	6"	2	5/8"	2.9	7-1/2"	2	5/8"	5.1	FS313-680-TAP
	6.63-6.90									FS313-690-TAP
	6.80-7.20									FS313-720-TAP
8"	8.00-8.40	6"	2	5/8"	3.3	7-1/2"	2	5/8"	5.6	FS313-840-TAP
	8.40-8.80									FS313-880-TAP
	8.63-9.05									FS313-905-TAP
	9.00-9.40									FS313-940-TAP
10"	10.00-10.40	6"	2	5/8"	6.2	7-1/2"	2	5/8"	6.6	FS313-1040-TAP
	10.75-11.10									FS313-1110-TAP
	11.10-11.50									FS313-1150-TAP
12"	12.00-12.40	6"	2	5/8"	6.8	7-1/2"	2	5/8"	7.1	FS313-1240-TAP
	12.75-13.20									FS313-1320-TAP
	13.10-13.50									FS313-1350-TAP

OUTLET TAP CODE

CC (AWWA) THREAD			IP THREAD		
THREAD	Code No.	✓ SUBMITTED ITEM(S)	THREAD	Code No.	✓ SUBMITTED ITEM(S)
3/4" CC	CC3		3/4" IP	IP3	
1" CC	CC4		1" IP	IP4	
1-1/4" CC	CC5		1-1/4" IP	IP5	
1-1/2" CC	CC6		1-1/2" IP	IP6	
2" CC	CC7		2" IP	IP7	

To Order: Select the catalog number for the desired pipe range and complete the catalog number by adding the outlet thread tap code.
 Example: A single band repair saddle for 9.05 O.D. pipe with a 3/4" CC thread would be **FS313-940-CC3**.

FEATURES

- All components are made of 18-8 Type 304 Stainless Steel
- Fully passivated for corrosion resistance
- Saddles 4" and larger have coined body for gasket retention
- Buna-N rubber pad gasket per ASTM D2000 with raised compression seal
- Rated for 250 psi working pressure
- UL Classified to ANSI/NSF Standard 61

The Ford Meter Box Company considers the information in this submittal form to be correct at the time of publication. Item and option availability, including specifications, are subject to change without notice. Please verify that your product information is current.



The Ford Meter Box Company, Inc.
 P.O. Box 443, Wabash, Indiana U.S.A. 46992-0443
 Phone: 260-563-3171 / Fax: 800-826-3487
 Overseas Fax: 260-563-0167
 www.fordmeterbox.com

04/21/15

Submitted by: